

FINISH NOTES:
 STANDARD FINISH
 HOT DIPPED GALVANIZED ON ALL STEEL COMPONENTS
 MILL FINISH ON ALL ALUMINUM COMPONENTS

OPTIONAL FINISH
 POWDER COAT PAINT, RAL# TO BE SPECIFIED

DIMENSIONS ARE SHOWN IN INCHES, DIMENSIONS SHOWN IN [] ARE IN MILLIMETERS

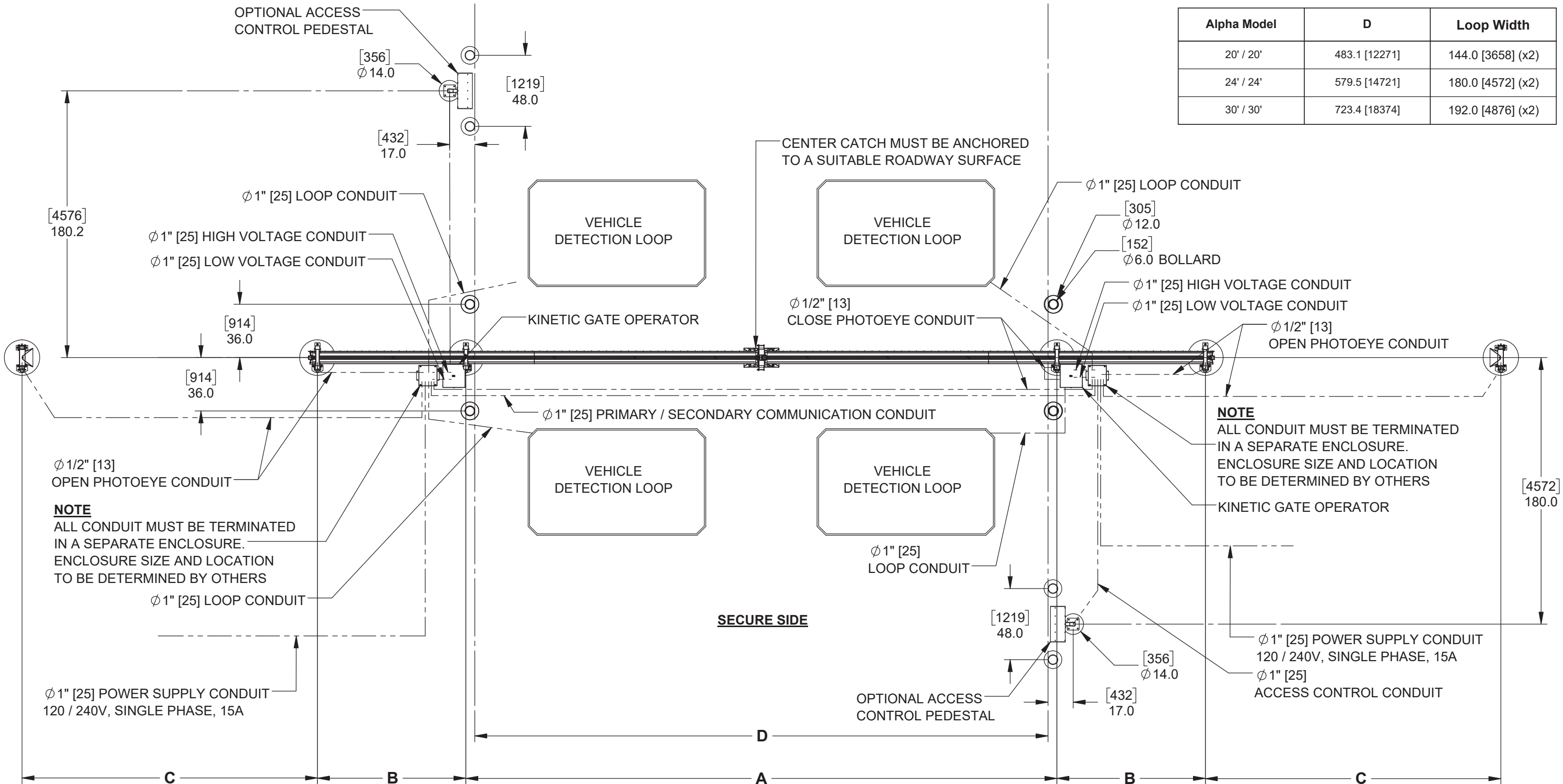
Alpha Model	H	A	B	C	D	U
20 / 20 / 6	72.0 [1829]	495.1 [12576]	87.7 [2227]	247.6 [6288]	483.1 [12271]	1174.3 [29826]
20 / 20 / 8	96.0 [2438]					
24 / 24 / 6	72.0 [1829]	591.6 [15026]	110.3 [2802]	295.8 [7513]	579.6 [14721]	1412.4 [35876]
24 / 24 / 8	96.0 [2438]					
30 / 30 / 6	72.0 [1829]	735.4 [18680]	121.0 [3075]	367.7 [9340]	723.4 [18375]	1721.7 [43730]
30 / 30 / 8	96.0 [2438]					



115 Lowson Crescent
 Winnipeg, Manitoba, Canada, R3P 1A6
 Phone: 1-866-300-1110
 Fax: 1-204-284-1868
 Web: www.wallaceperimetersecurity.com

Description:		DOUBLE ALPHA CANTILEVER SLIDE GATE	
Customer:			
Finish:	SEE FINISH NOTES	Date:	9/9/2024
Drawing No.	ALPHA-DBL-01-06-20	Rev.	Sheet: 1 of 5

Alpha Model	D	Loop Width
20' / 20'	483.1 [12271]	144.0 [3658] (x2)
24' / 24'	579.5 [14721]	180.0 [4572] (x2)
30' / 30'	723.4 [18374]	192.0 [4876] (x2)



NOTE
 ALL CONDUIT MUST BE TERMINATED IN A SEPARATE ENCLOSURE. ENCLOSURE SIZE AND LOCATION TO BE DETERMINED BY OTHERS

NOTE
 ALL CONDUIT MUST BE TERMINATED IN A SEPARATE ENCLOSURE. ENCLOSURE SIZE AND LOCATION TO BE DETERMINED BY OTHERS

NOTES:
 - OPTIONAL ACCESS CONTROL HARDWARE, VEHICLE DETECTION LOOPS & BOLLARD LOCATIONS ARE SUPPLIED AS A REFERENCE ONLY. ALL MATERIALS AND LOCATIONS ARE SUPPLIED AND INSTALLED BY OTHERS UNLESS OTHERWISE SPECIFIED AT TIME OR ORDER.
 - SEE SHEET 3 FOR GENERIC FOUNDATION SIZING AND INSTALLATION AND LEVELING NOTES.

Description:
DOUBLE ALPHA CANTILEVER SLIDE GATE
 GENERIC SITE LAYOUT / CONDUIT REQUIREMENTS

Customer:
 Finish: SEE SHEET 1
 Drawing No. ALPHA-DBL-01-06-20
 Date: 9/9/2024
 Rev. Sheet: 2 of 5

WALLACE
 PERIMETER SECURITY
 115 Lowson Crescent
 Winnipeg, Manitoba, Canada, R3P 1A6
 Phone: 1-866-300-1110
 Fax: 1-204-284-1868
 Web: www.wallaceperimetersecurity.com

FIGURE 3-1: PILE INSTALLATION

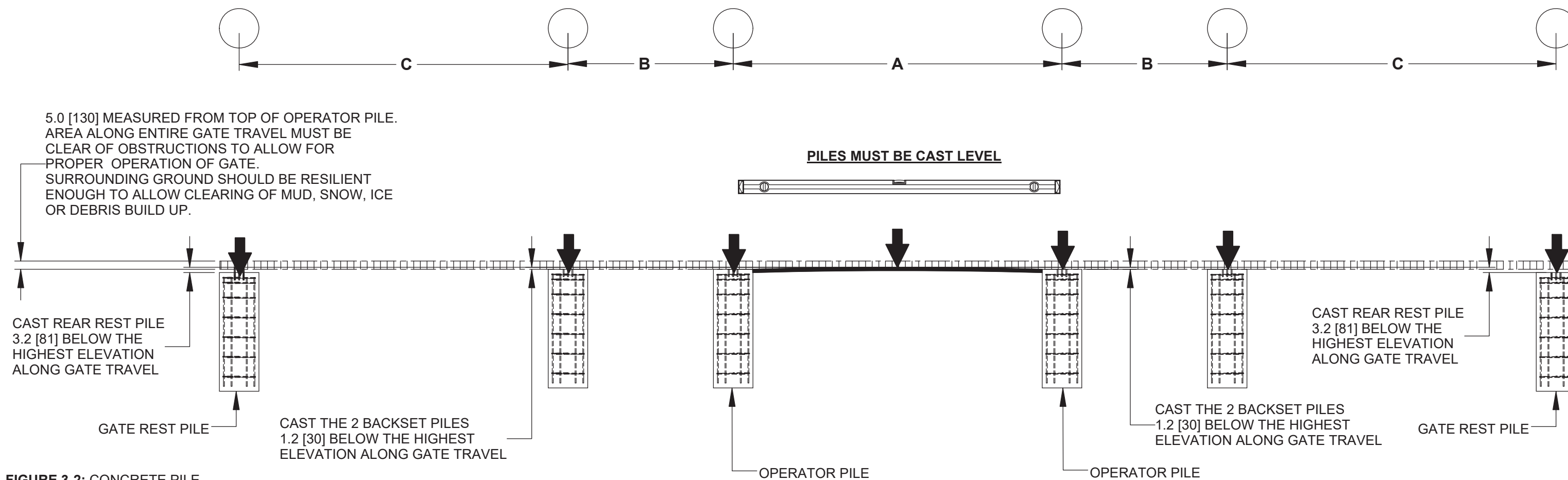


FIGURE 3-2: CONCRETE PILE

FOUNDATIONS ARE SHOWN AS A RECOMMENDED PILE TYPE ONLY. LOCAL SOIL CONDITIONS AND TEMPERATURES WILL DICTATE THE ACTUAL FOUNDATIONS REQUIRED. MINIMUM RECOMMENDED PILE DEPTH IS 48.0" [1219]

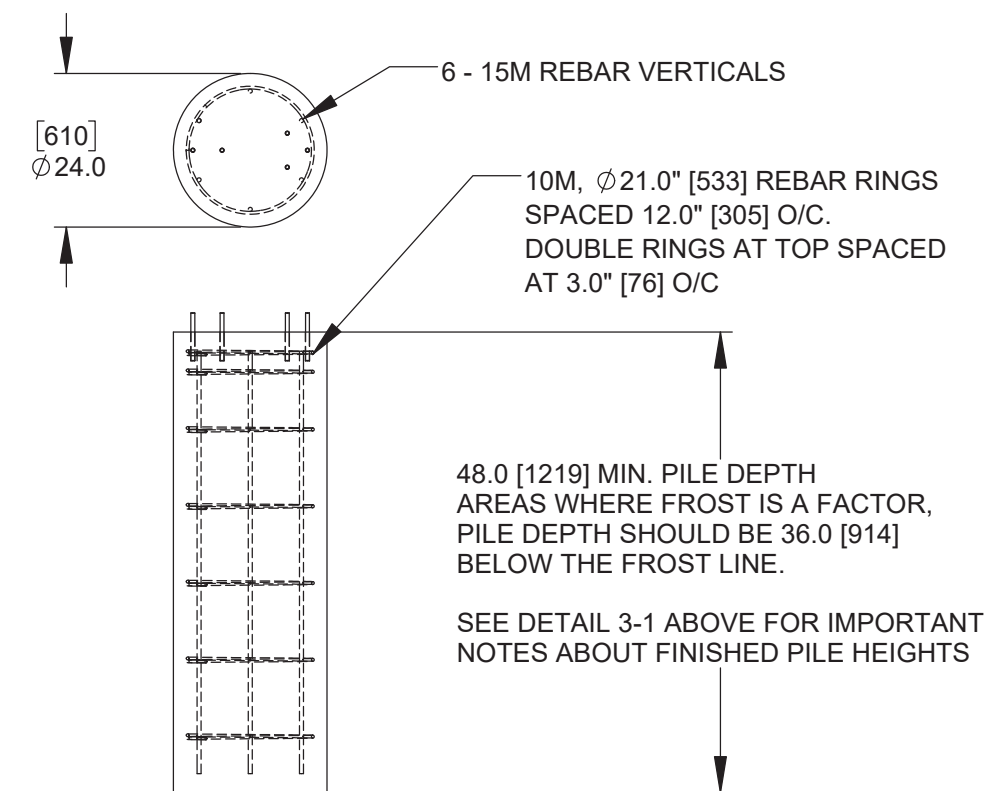
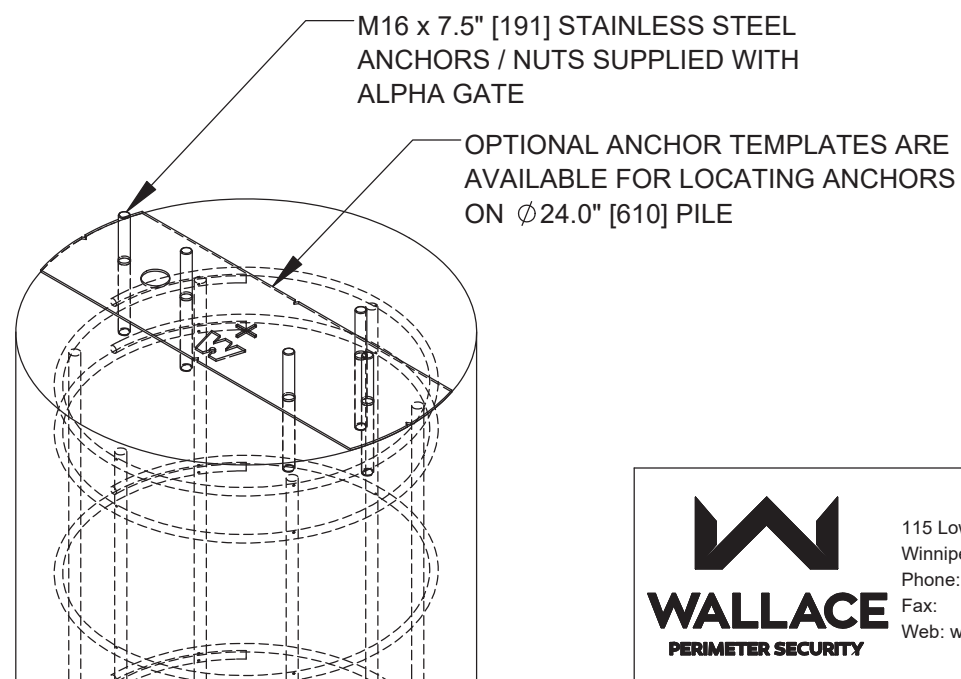


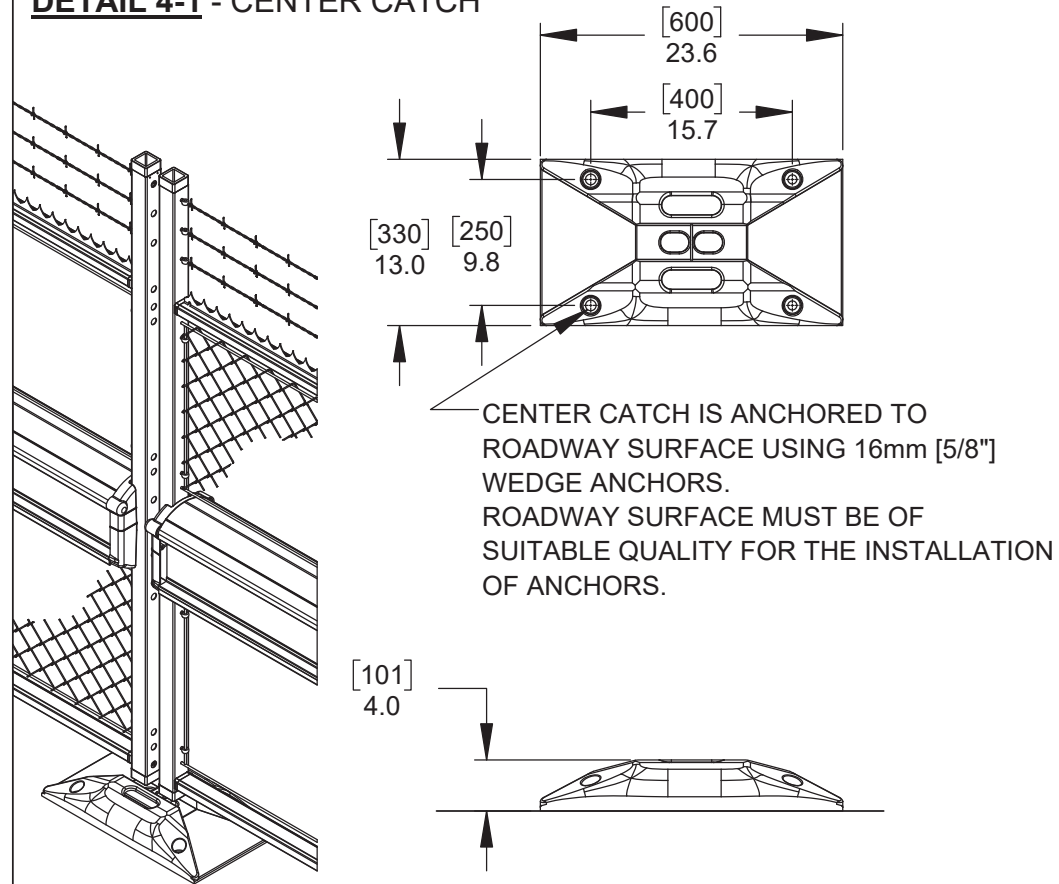
FIGURE 3-3: ANCHORS / ANCHOR TEMPLATE



115 Lowson Crescent
Winnipeg, Manitoba, Canada, R3P 1A6
Phone: 1-866-300-1110
Fax: 1-204-284-1868
Web: www.wallaceperimetersecurity.com

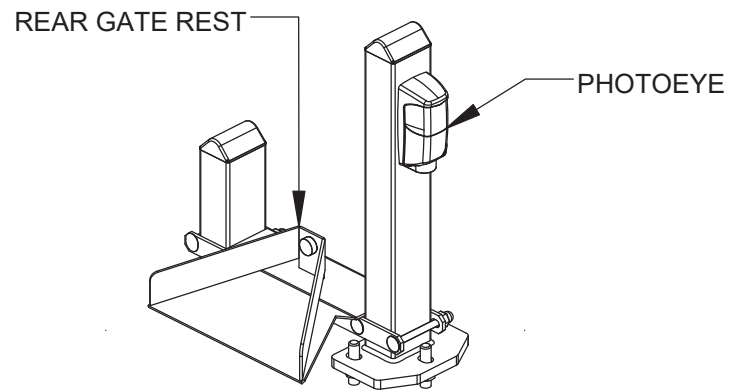
Description:		DOUBLE ALPHA CANTILEVER SLIDE GATE FOUNDATION INSTALLATION NOTES	
Customer:			
Finish:	SEE SHEET 1	Date:	9/9/2024
Drawing No.	ALPHA-DBL-01-06-20	Rev.	Sheet: 3 of 5

DETAIL 4-1 - CENTER CATCH

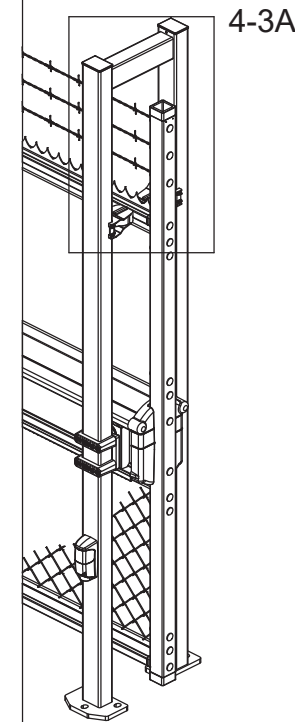


DETAIL 4-2 - REAR GATE REST

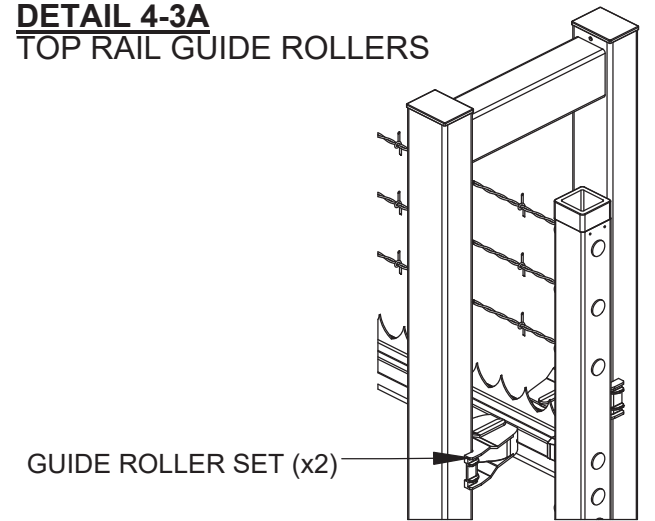
REAR GATE REST WILL SUPPORT THE GATE PANEL IF THE GATE IS TO BE LEFT OPEN FOR AN EXTENDED PERIOD OF TIME. OPEN PHOTOEYE IS ATTACHED TO THE REAR GATE REST.



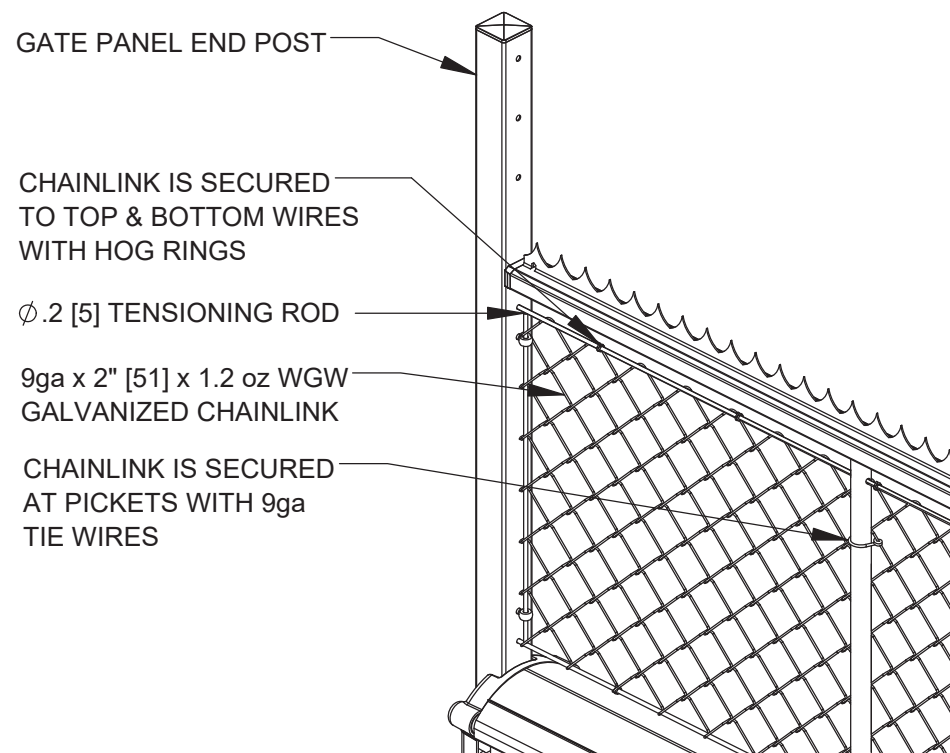
DETAIL 4-3 - ROLLERS



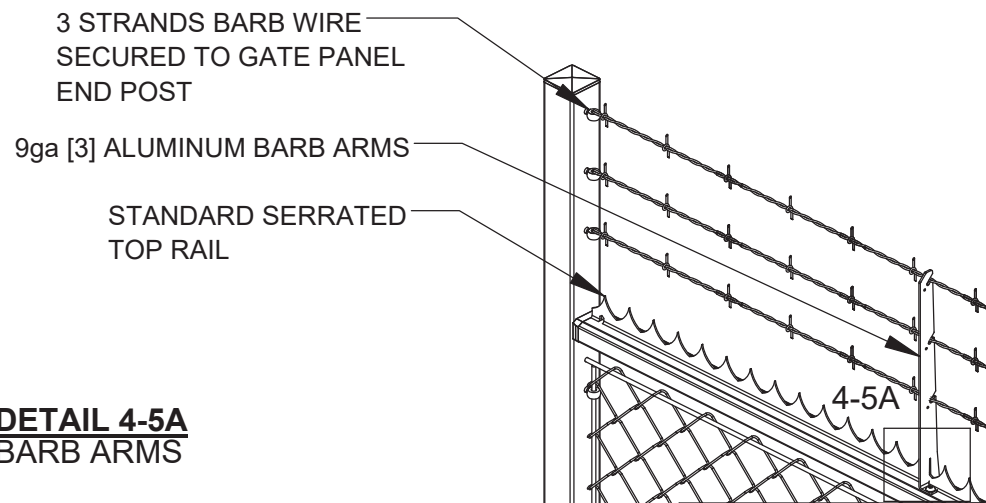
DETAIL 4-3A TOP RAIL GUIDE ROLLERS



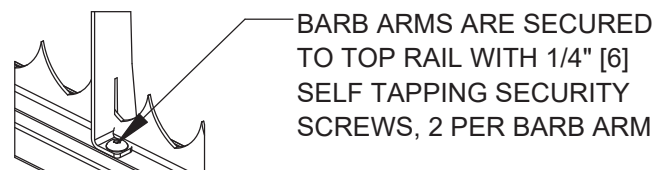
DETAIL 4-4 - STANDARD GALVANIZED CHAINLINK INFILL



DETAIL 4-5 - BARB WIRE ANTI-CLIMB

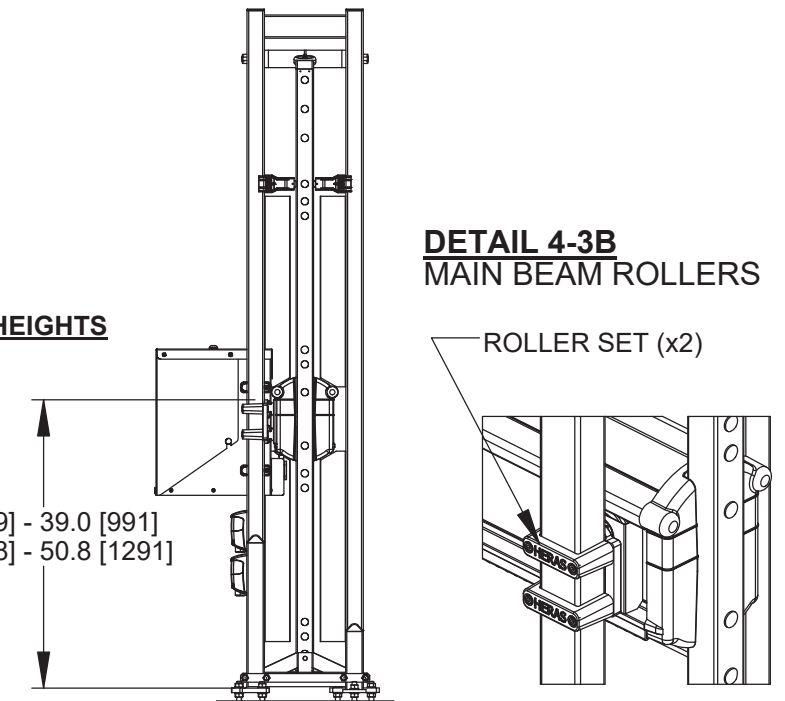


DETAIL 4-5A BARB ARMS



BEAM ROLLER HEIGHTS

6' [1829] - 39.0 [991]
8' [2438] - 50.8 [1291]



DETAIL 4-3B MAIN BEAM ROLLERS



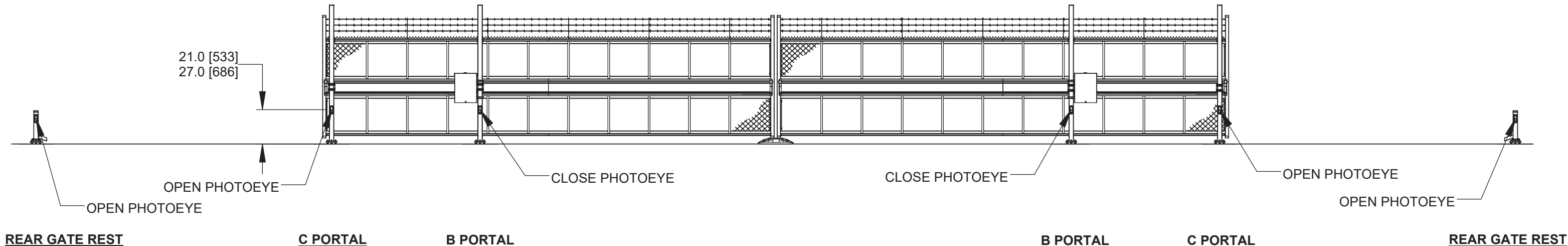
115 Lowson Crescent
Winnipeg, Manitoba, Canada, R3P 1A6
Phone: 1-866-300-1110
Fax: 1-204-284-1868
Web: www.wallaceperimetersecurity.com

Description:		DOUBLE ALPHA CANTILEVER SLIDE GATE	
Customer:			
Finish:	SEE SHEET 1	Date:	9/9/2024
Drawing No.	ALPHA-DBL-01-06-20	Rev.	Sheet: 4 of 5

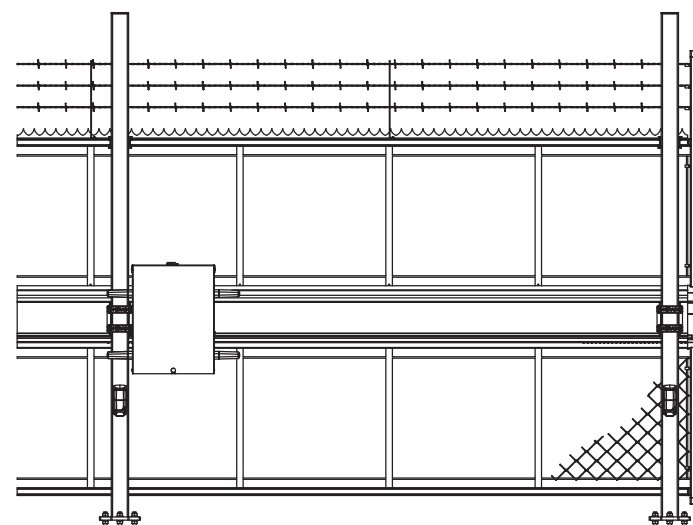
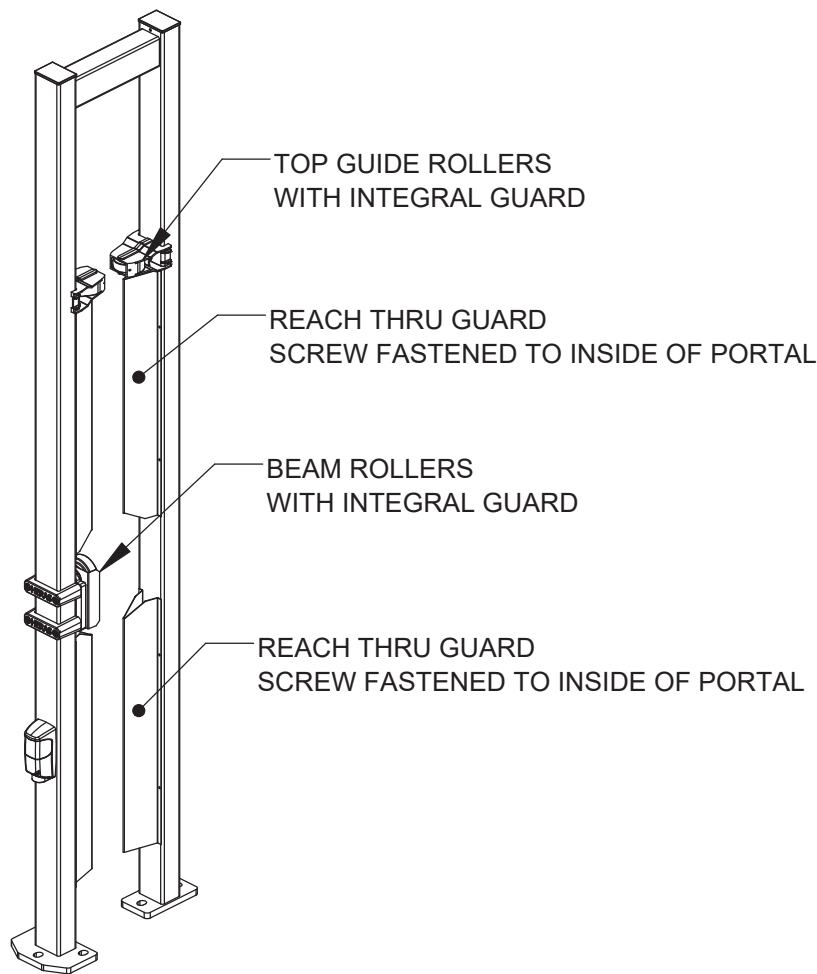
DETAIL 5-1 - PHOTOEYES

NOTE:

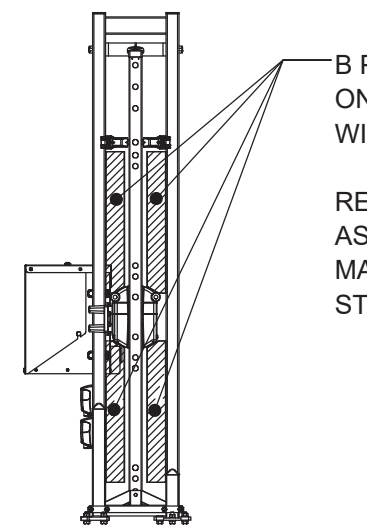
PHOTOEYE COVERAGE INCLUDES DRIVE THRU OPENING AS WELL AS THE AREA OF FULL GATE PANEL TRAVEL WHEN INSTALLED AS SHOWN.



DETAIL 5-2 - GUARDS



B PORTAL



B PORTAL HAS REACH THRU GUARDS INSTALLED ON THE INTERIOR FACES OF PORTAL, SECURED WITH #10 [5] SELF-TAPPING SCREWS.

REACH THRU GUARDS ARE REQUIRED PER ASTM F2200 - PARAGRAPH 6.1.4 WHICH STATES MAXIMUM GAP BETWEEN GATE PANEL AND FIXED STATIONARY OBJECTS SHALL NOT EXCEED 2.25" [57]

Description:		DOUBLE ALPHA CANTILEVER SLIDE GATE SAFETY DEVICES / GUARDS	
Customer:			
Finish:	SEE SHEET 1	Date:	9/9/2024
Drawing No.	ALPHA-DBL-01-06-20	Rev.	Sheet: 5 of 5



115 Lawson Crescent
Winnipeg, Manitoba, Canada, R3P 1A6
Phone: 1-866-300-1110
Fax: 1-204-284-1868
Web: www.wallaceperimetersecurity.com