

DIMENSIONS ARE SHOWN IN INCHES, DIMENSIONS SHOWN IN [] ARE IN MILLIMETERS

Alpha Model	H	A	B	C	D	U
16 / 6	72.0 [1829]	199.6 [5069]	100.2 [2546]	199.6 [5069]	192.0 [4876]	507.0 [12879]
16 / 8	96.0 [2438]					
20 / 6	72.0 [1829]	247.6 [6288]	87.7 [2227]	247.6 [6288]	240.0 [6095]	590.5 [14998]
20 / 8	96.0 [2438]					
24 / 6	72.0 [1829]	295.8 [7513]	110.3 [2802]	295.8 [7513]	288.0 [7320]	709.6 [18023]
24 / 8	96.0 [2438]					
30 / 6	72.0 [1829]	367.7 [9340]	121.0 [3075]	367.7 [9340]	360.0 [9147]	864.2 [21950]
30 / 8	96.0 [2438]					

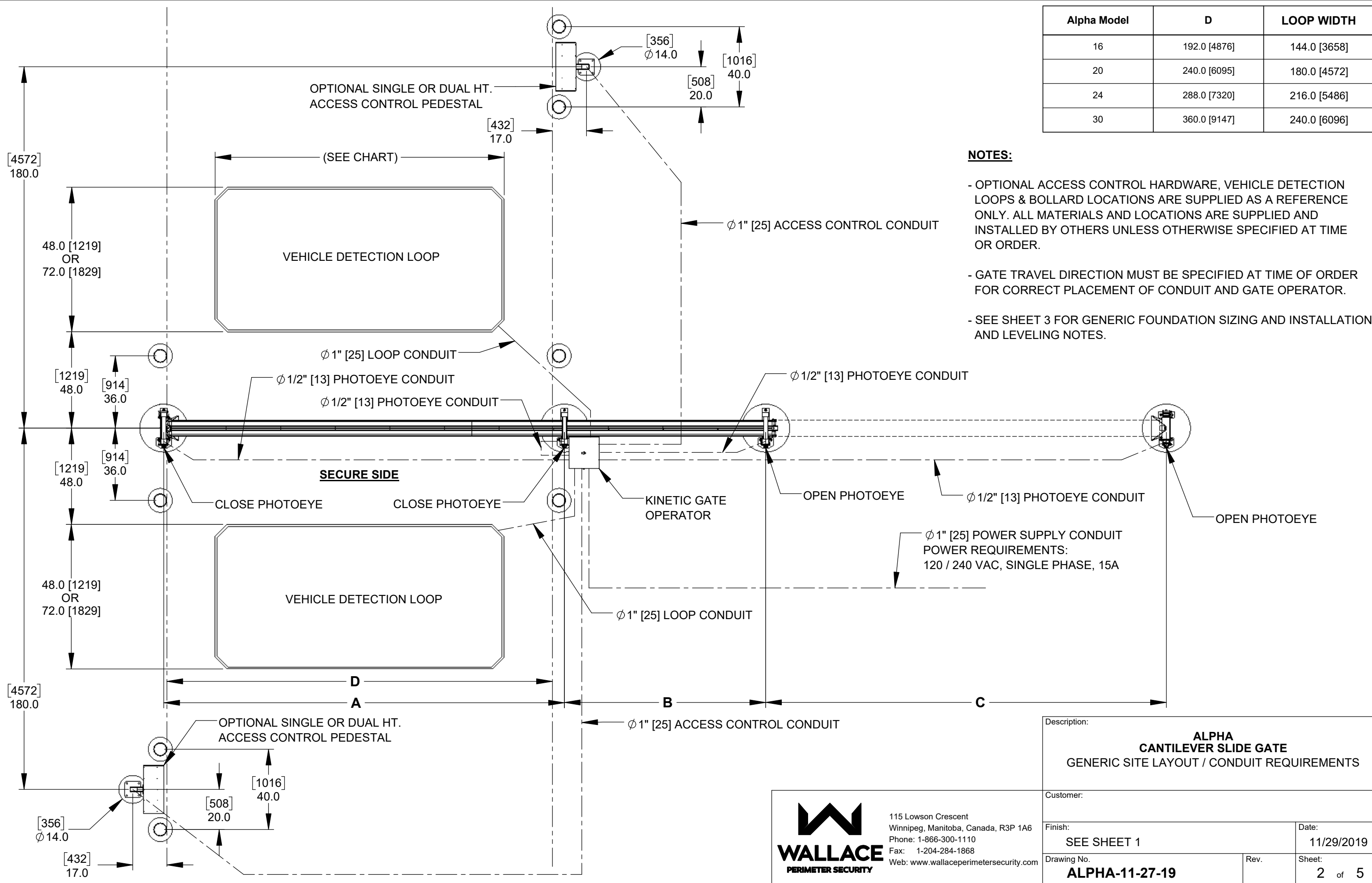
FINISH NOTES:
STANDARD FINISH
HOT DIPPED GALVANIZED ON ALL STEEL COMPONENTS
MILL FINISH ON ALL ALUMINUM COMPONENTS

OPTIONAL FINISH
POWDER COAT PAINT, RAL# TO BE SPECIFIED

Description: ALPHA CANTILEVER SLIDE GATE		
Customer:		
Finish: SEE FINISH NOTES	Date: 11/29/2019	
Drawing No. ALPHA-11-27-19	Rev.	Sheet: 1 of 5

115 Lawson Crescent
Winnipeg, Manitoba, Canada, R3P 1A6
Phone: 1-866-300-1110
Fax: 1-204-284-1868
Web: www.wallaceperimetersecurity.com

Alpha Model	D	LOOP WIDTH
16	192.0 [4876]	144.0 [3658]
20	240.0 [6095]	180.0 [4572]
24	288.0 [7320]	216.0 [5486]
30	360.0 [9147]	240.0 [6096]



NOTES:

- OPTIONAL ACCESS CONTROL HARDWARE, VEHICLE DETECTION LOOPS & BOLLARD LOCATIONS ARE SUPPLIED AS A REFERENCE ONLY. ALL MATERIALS AND LOCATIONS ARE SUPPLIED AND INSTALLED BY OTHERS UNLESS OTHERWISE SPECIFIED AT TIME OF ORDER.
- GATE TRAVEL DIRECTION MUST BE SPECIFIED AT TIME OF ORDER FOR CORRECT PLACEMENT OF CONDUIT AND GATE OPERATOR.
- SEE SHEET 3 FOR GENERIC FOUNDATION SIZING AND INSTALLATION AND LEVELING NOTES.

Description:		ALPHA CANTILEVER SLIDE GATE GENERIC SITE LAYOUT / CONDUIT REQUIREMENTS	
Customer:			
Finish:	SEE SHEET 1	Date:	11/29/2019
Drawing No.	ALPHA-11-27-19	Rev.	Sheet: 2 of 5

FIGURE 3-1: PILE INSTALLATION

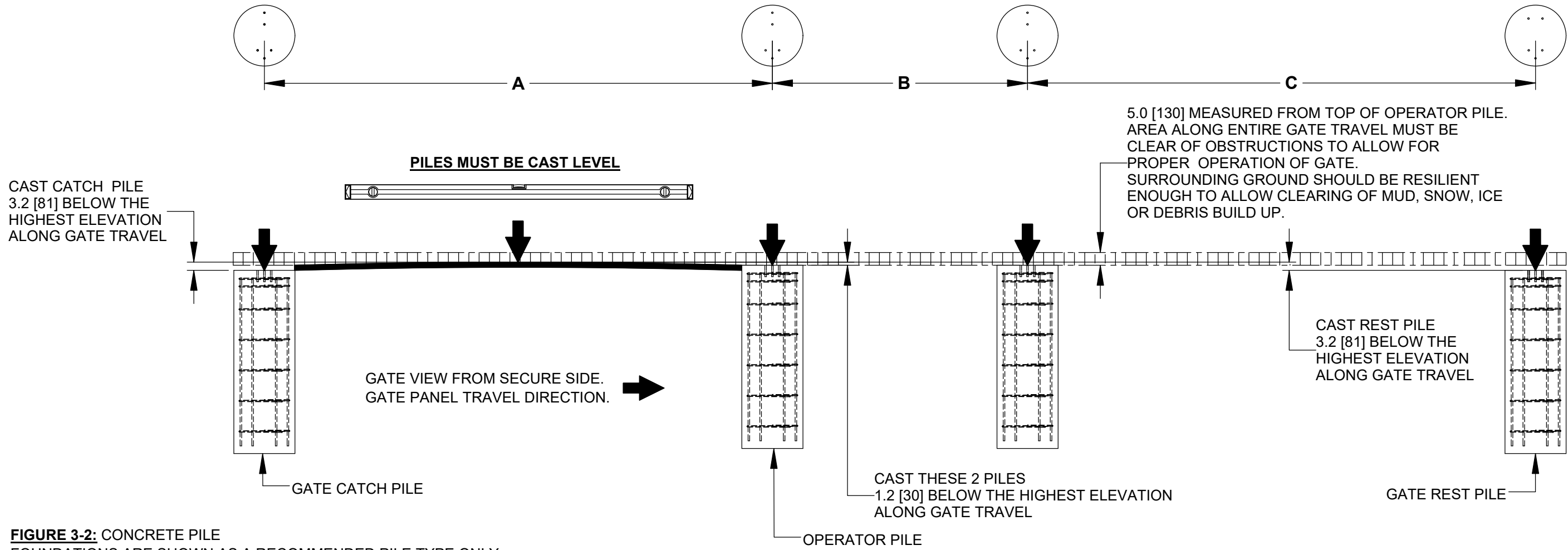


FIGURE 3-2: CONCRETE PILE
 FOUNDATIONS ARE SHOWN AS A RECOMMENDED PILE TYPE ONLY. LOCAL SOIL CONDITIONS AND TEMPERATURES WILL DICTATE THE ACTUAL FOUNDATIONS REQUIRED. MINIMUM RECOMMENDED PILE DEPTH IS 48.0" [1219]

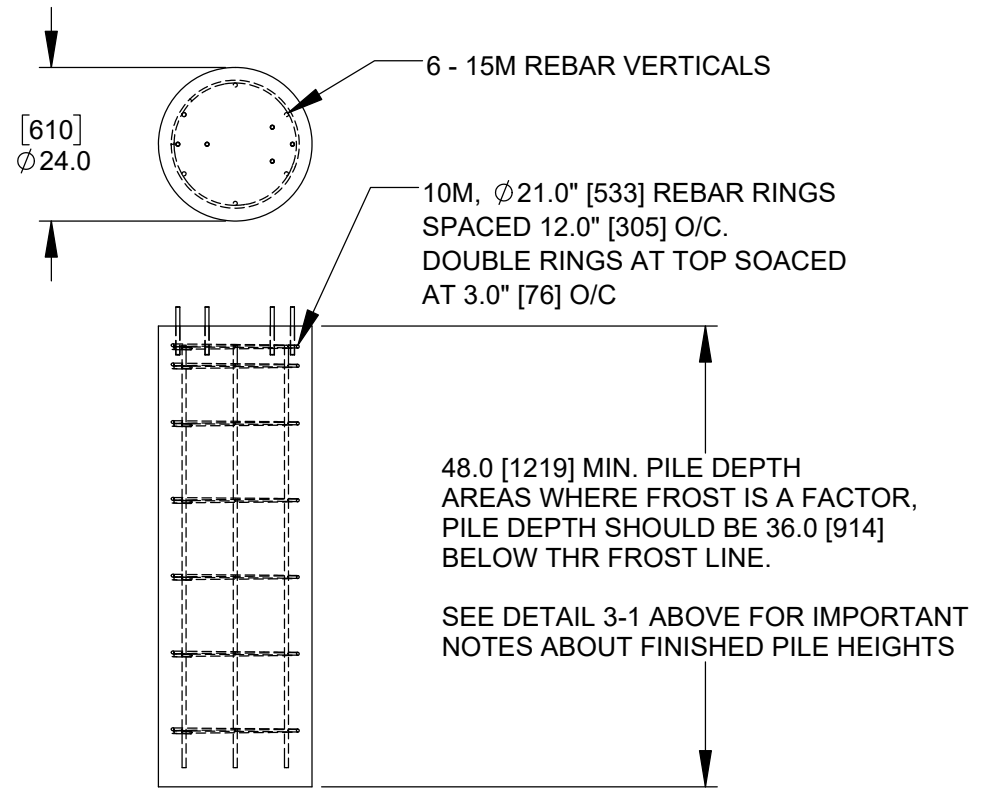
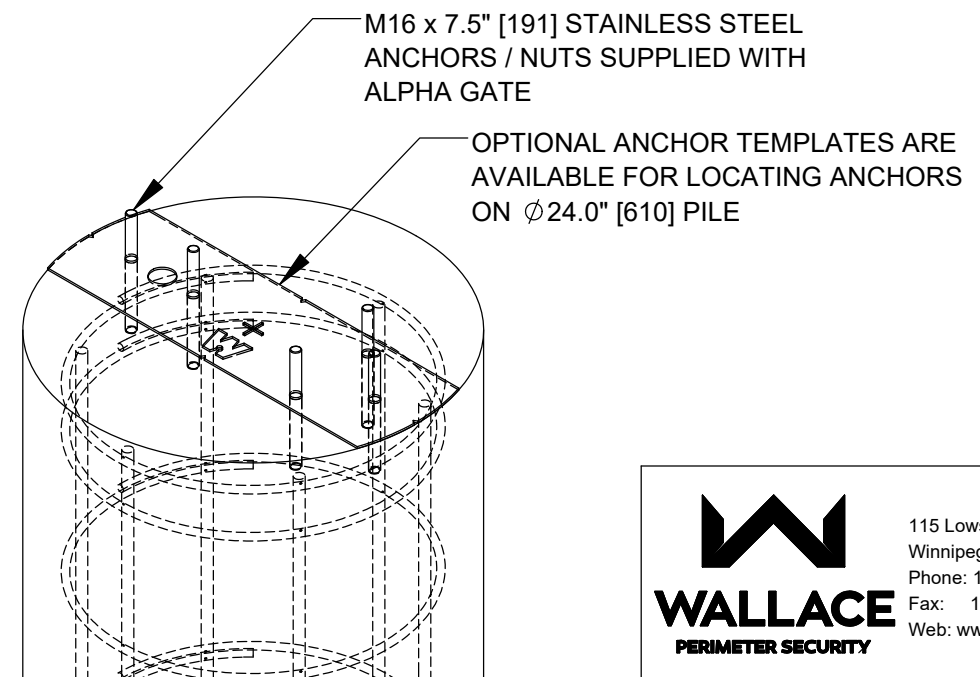


FIGURE 3-3: ANCHORS / ANCHOR TEMPLATE



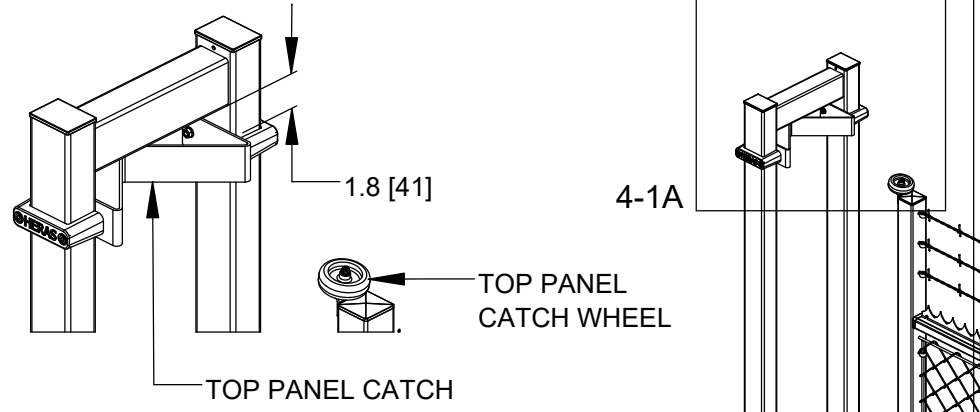
WALLACE
 PERIMETER SECURITY

115 Lawson Crescent
 Winnipeg, Manitoba, Canada, R3P 1A6
 Phone: 1-866-300-1110
 Fax: 1-204-284-1868
 Web: www.wallaceperimetersecurity.com

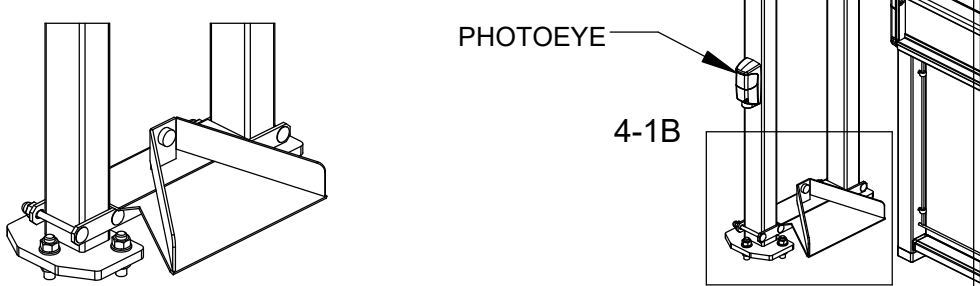
Description:		ALPHA CANTILEVER SLIDE GATE FOUNDATION INSTALLATION NOTES	
Customer:			
Finish:	SEE SHEET 1	Date:	11/27/2019
Drawing No.	ALPHA-11-27-19	Rev.	Sheet: 3 of 5

DETAIL 4-1 - CATCH PORTAL

DETAIL 4-1A - TOP PANEL CATCH

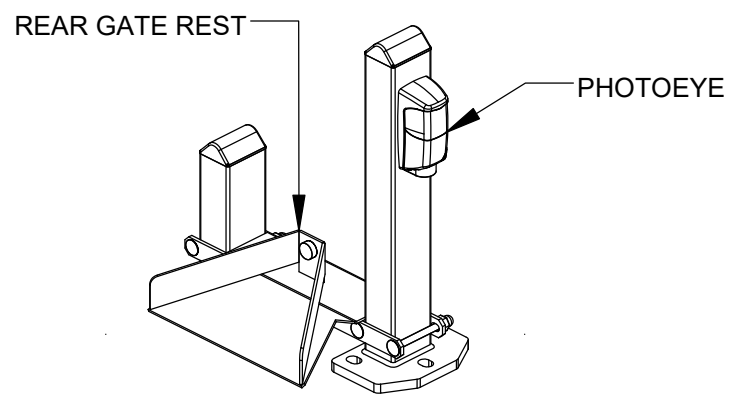


DETAIL 4-1B - GATE CATCH SHOE / RUN ON PLATE

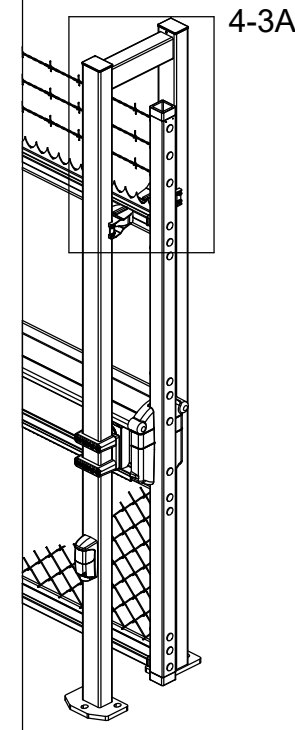


DETAIL 4-2 - REAR GATE REST

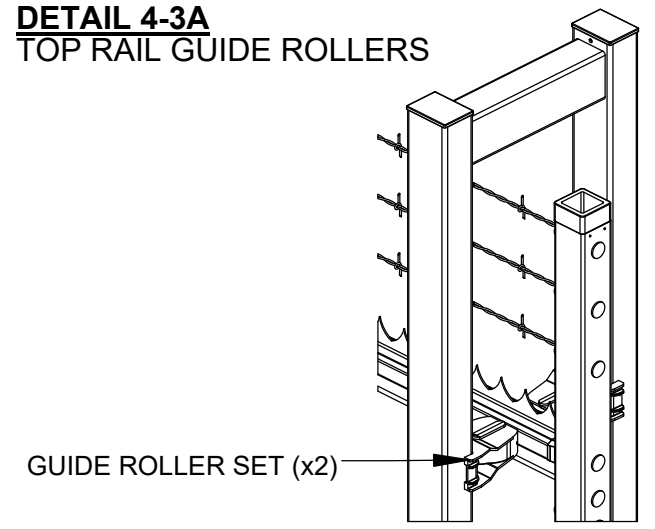
REAR GATE REST WILL SUPPORT THE GATE PANEL IF THE GATE IS TO BE LEFT OPEN FOR AN EXTENDED PERIOD OF TIME. OPEN PHOTOEYE IS ATTACHED TO THE REAR GATE REST.



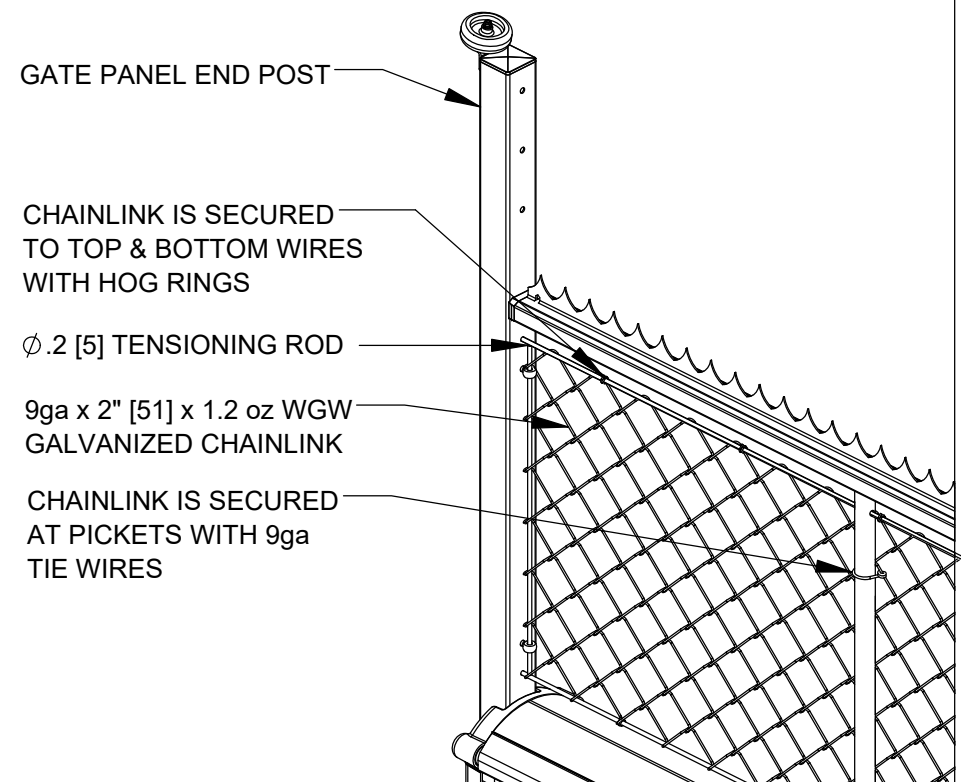
DETAIL 4-3 - ROLLERS



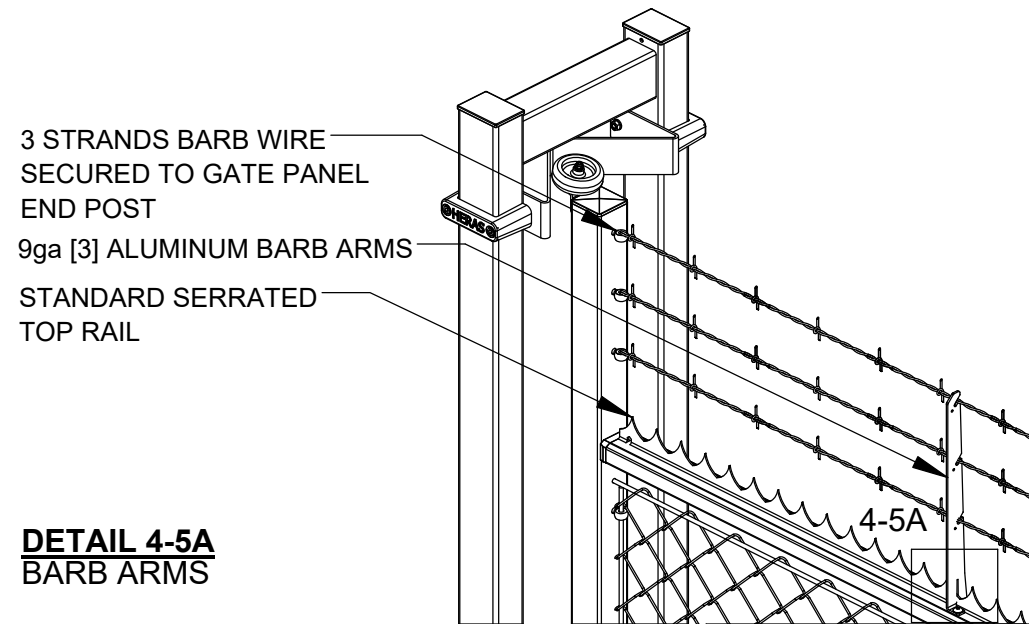
**DETAIL 4-3A
TOP RAIL GUIDE ROLLERS**



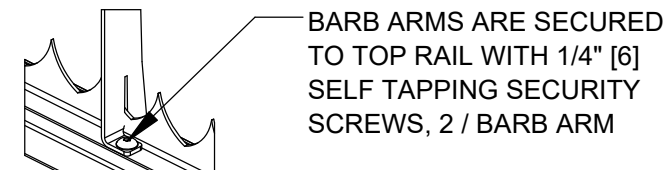
DETAIL 4-4 - STANDARD GALVANIZED CHAINLINK INFILL



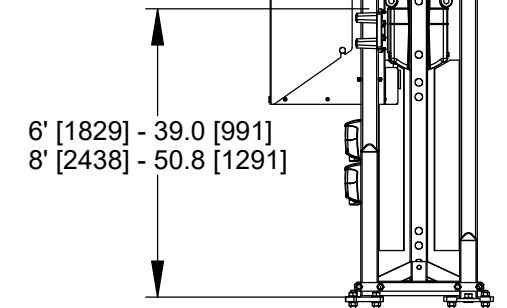
DETAIL 4-5 - BARB WIRE ANTI-CLIMB



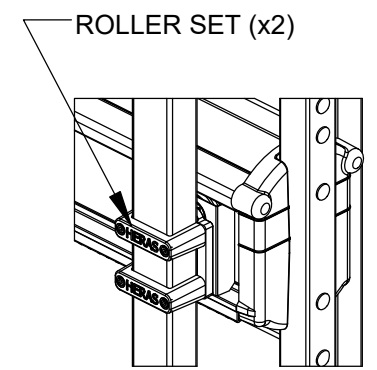
**DETAIL 4-5A
BARB ARMS**



BEAM ROLLER HEIGHTS



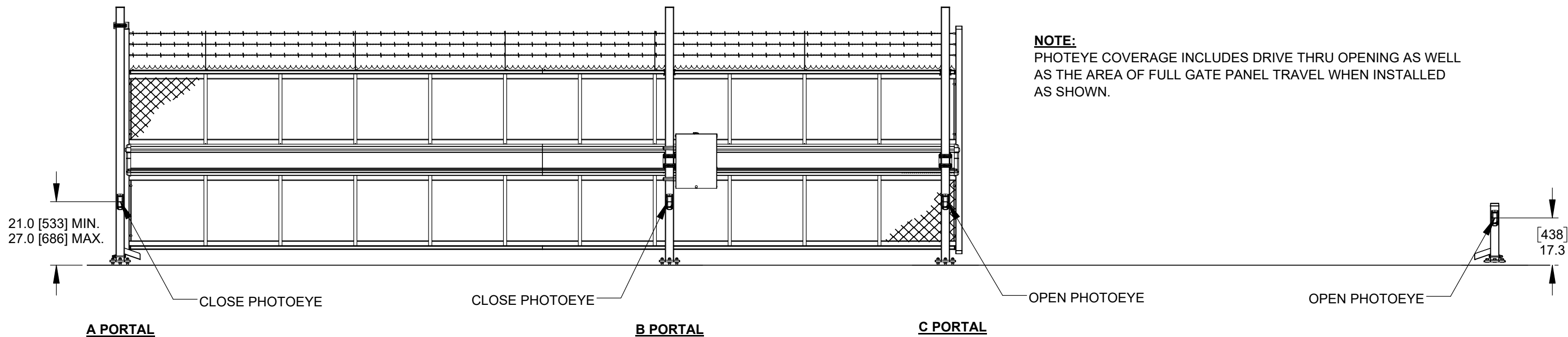
**DETAIL 4-3B
MAIN BEAM ROLLERS**



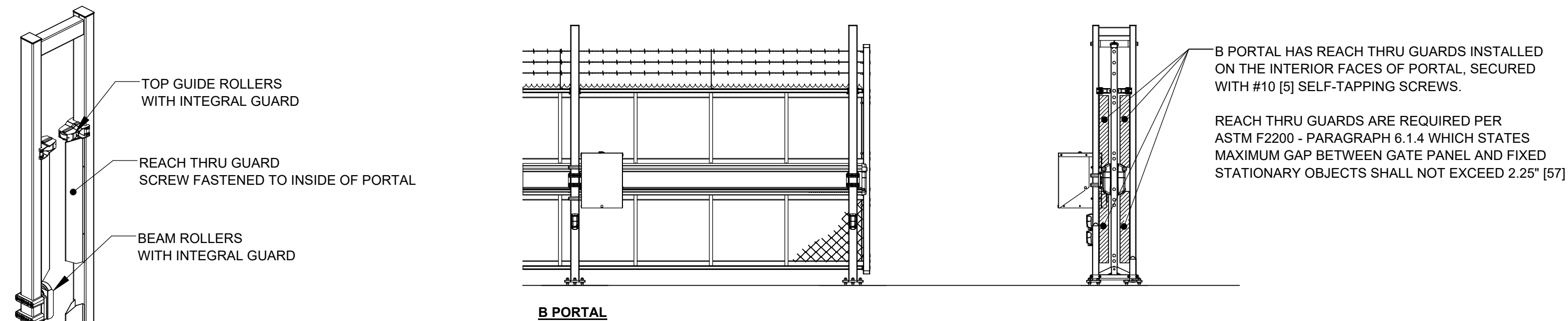
115 Lowson Crescent
Winnipeg, Manitoba, Canada, R3P 1A6
Phone: 1-866-300-1110
Fax: 1-204-284-1868
Web: www.wallaceperimetersecurity.com

Description: ALPHA CANTILEVER SLIDE GATE	
Customer:	
Finish: SEE SHEET 1	Date: 11/29/2019
Drawing No. ALPHA-11-27-19	Rev. Sheet: 4 of 5

DETAIL 5-1 - PHOTOEYES



DETAIL 5-2 - GUARDS



Description:		ALPHA CANTILEVER SLIDE GATE SAFETY DEVICES / GUARDS	
Customer:			
Finish:	SEE SHEET 1	Date:	11/29/2019
Drawing No.	ALPHA-11-27-19	Rev.	Sheet: 5 of 5

W

WALLACE
PERIMETER SECURITY

115 Lawson Crescent
Winnipeg, Manitoba, Canada, R3P 1A6
Phone: 1-866-300-1110
Fax: 1-204-284-1868
Web: www.wallaceperimetersecurity.com