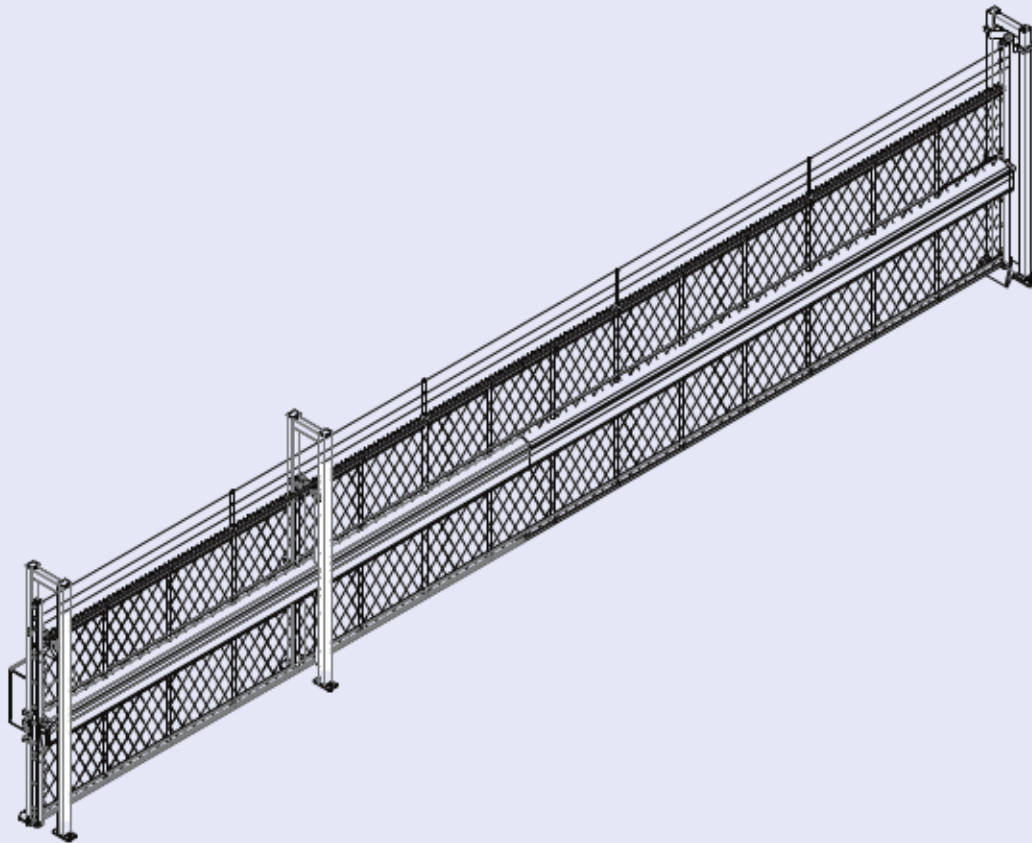


[Installation manual](#)

Alpha



Disclaimer

Read the full manual before installation. All described work must be performed by trained personnel. Should you deviate from the instructions, any warranty entitlement and liability of the manufacturer shall no longer apply.

Safety

Always wear the correct protective clothing when performing the work.

Always use a lifting tool/hoisting system when moving heavy and/or large objects.

Always use suitable tools.

Adding or removing parts other than as described in this manual can have negative consequences on the operation and, therefore, the safe operation of the final product and we categorically advise against this.



DANGER! Work on electrical components must be performed by certified personnel.

Removing and disassembling

Dispose of the product in accordance with local legislation and regulations.

For use and maintenance see the user manual and/or service manual.












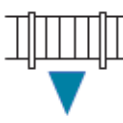


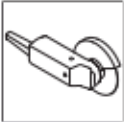


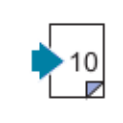
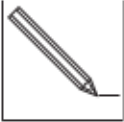


Dimensions

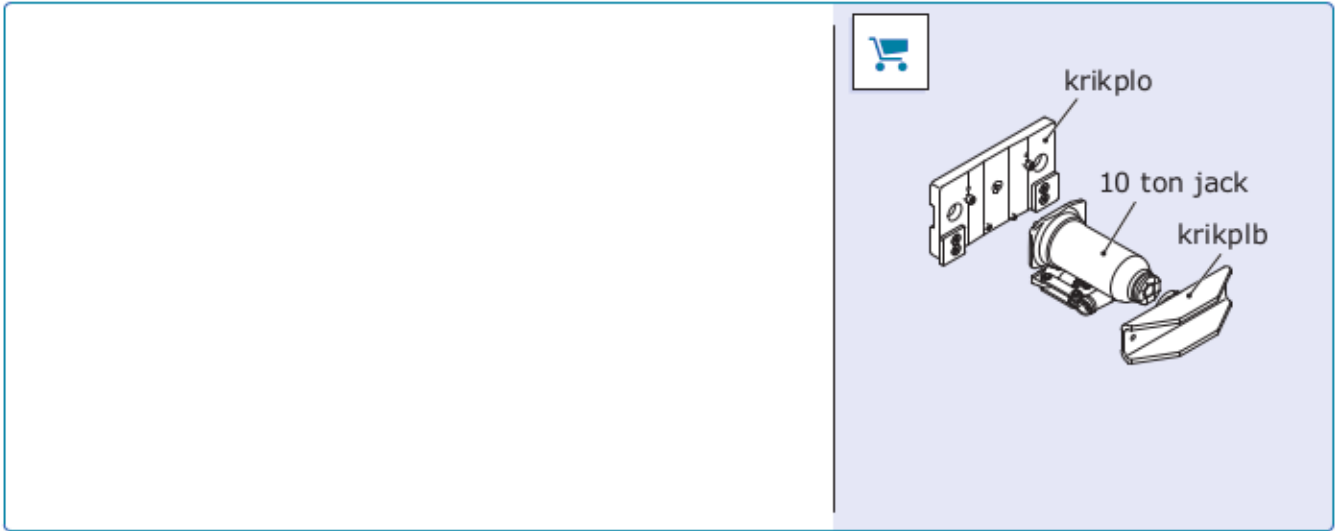
All sizes and dimensions are in mm unless stated otherwise.

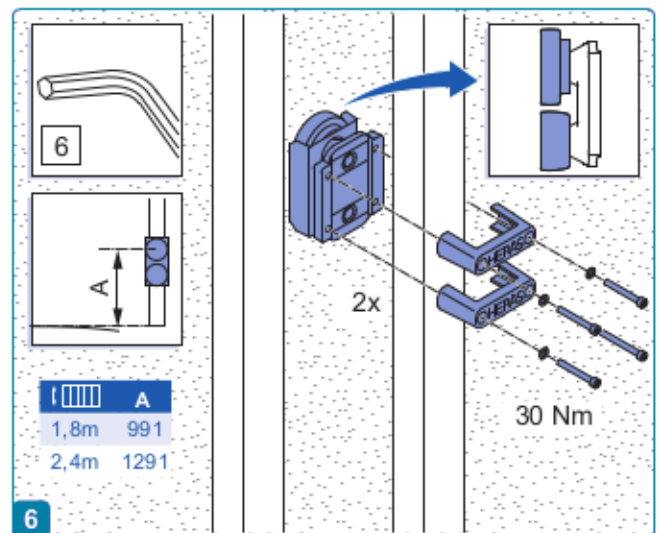
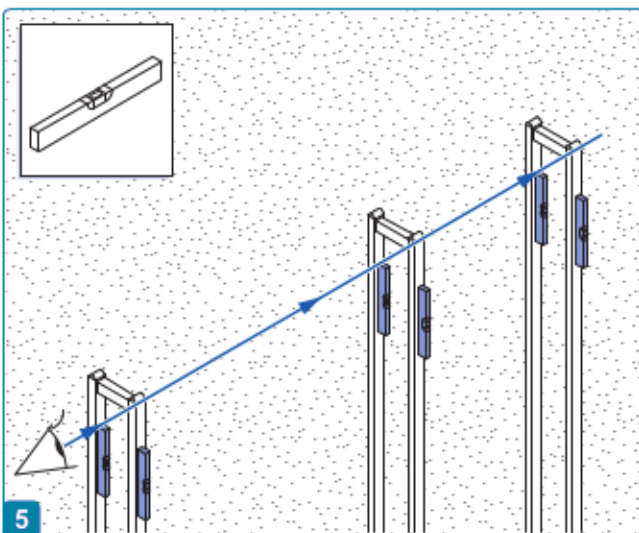
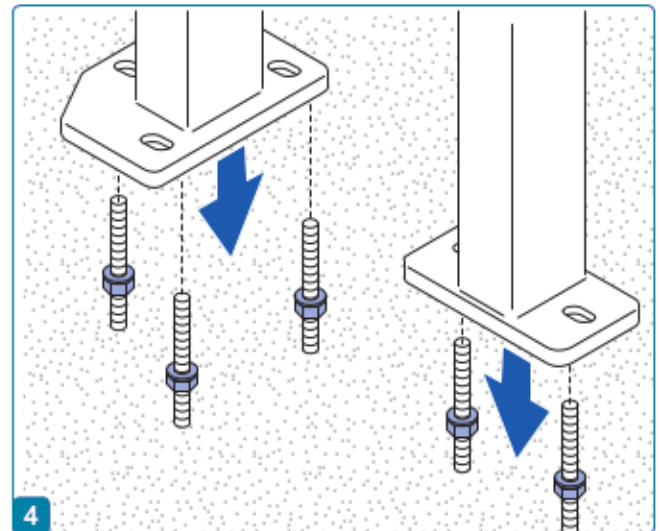
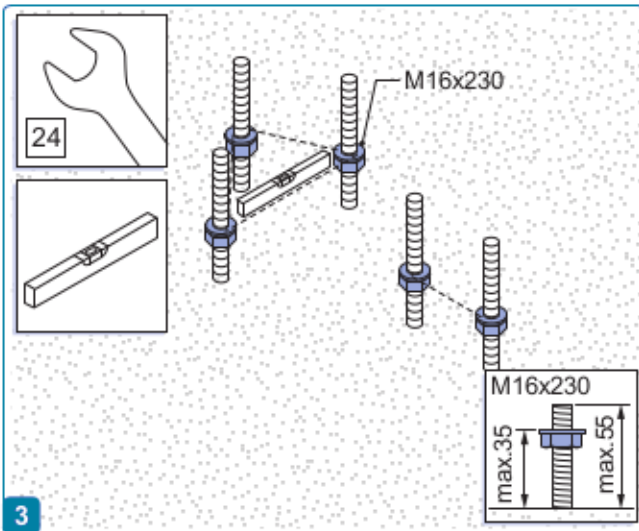
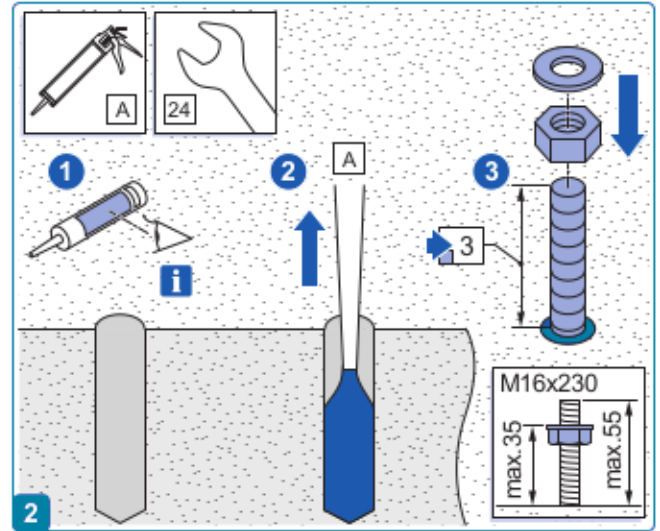
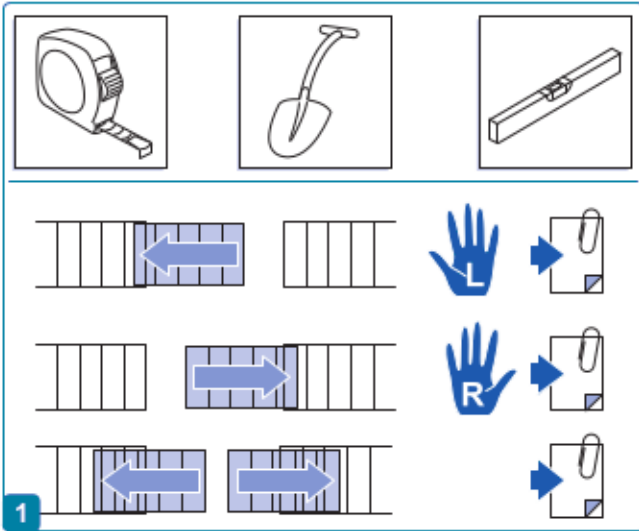
Contact

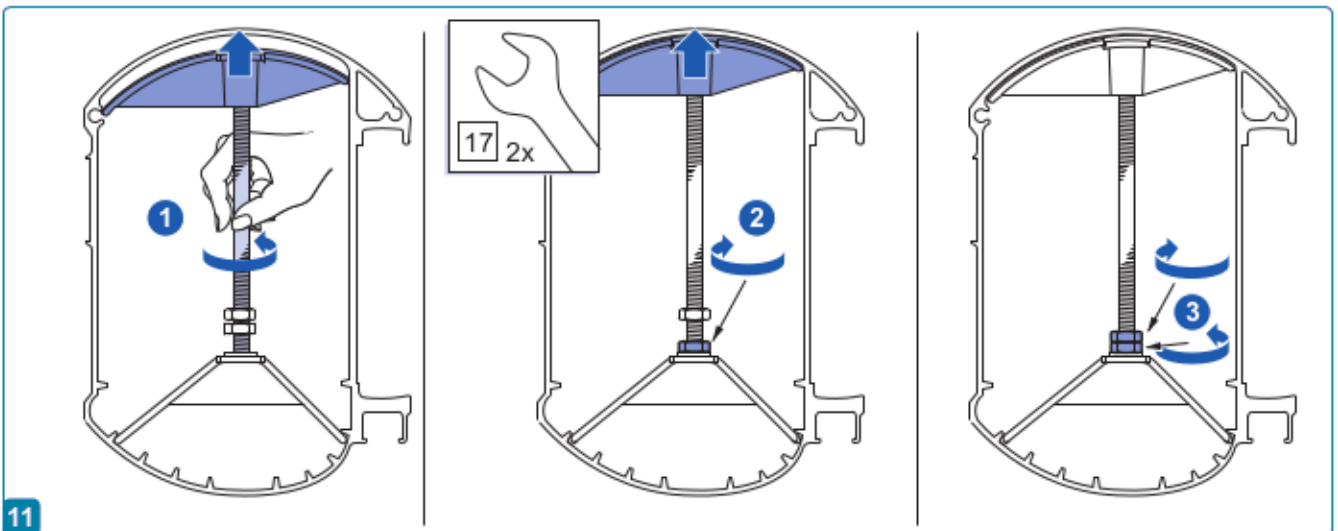
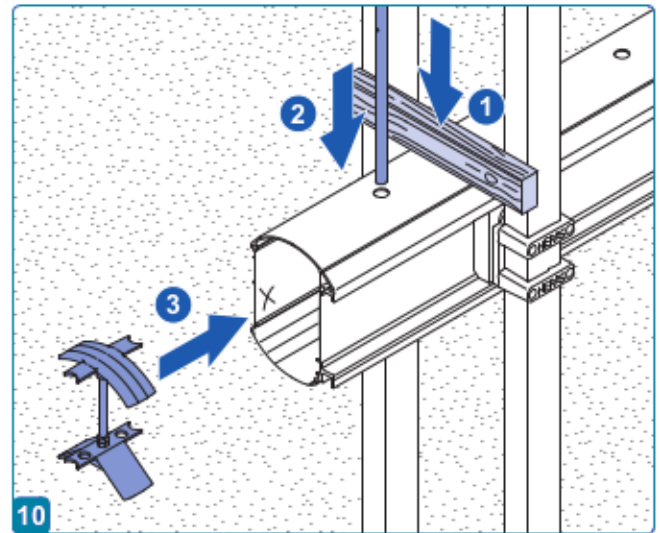
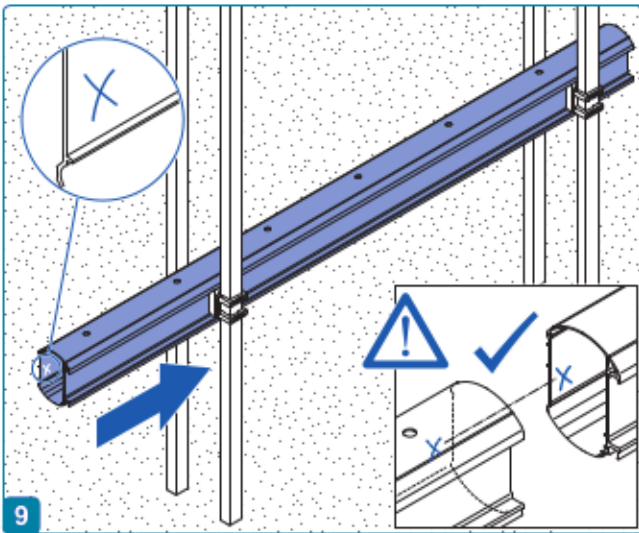
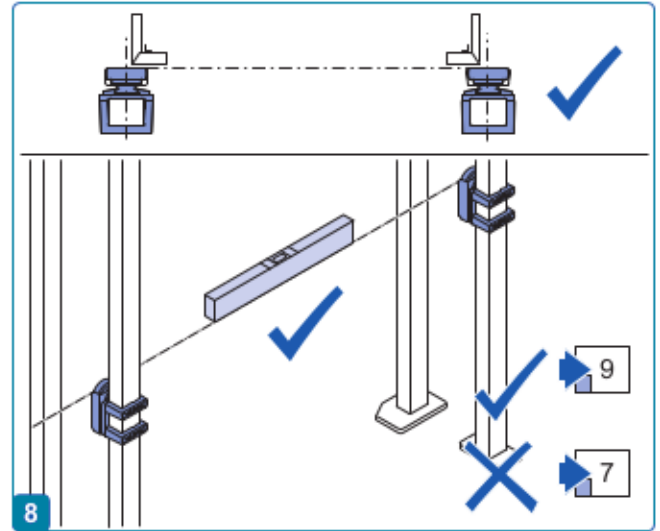
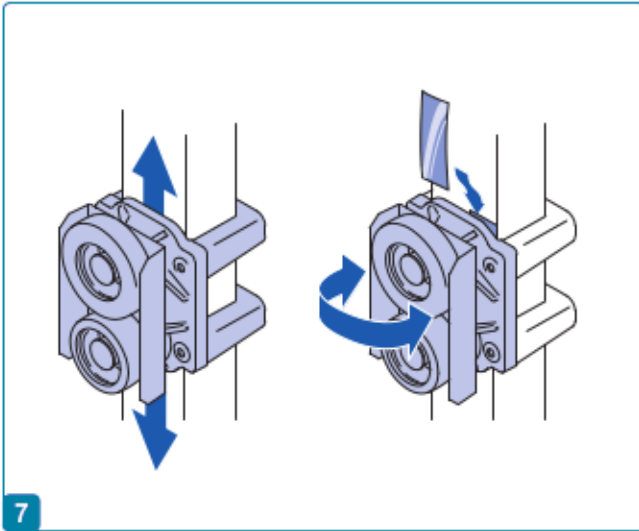
See the back of this manual.

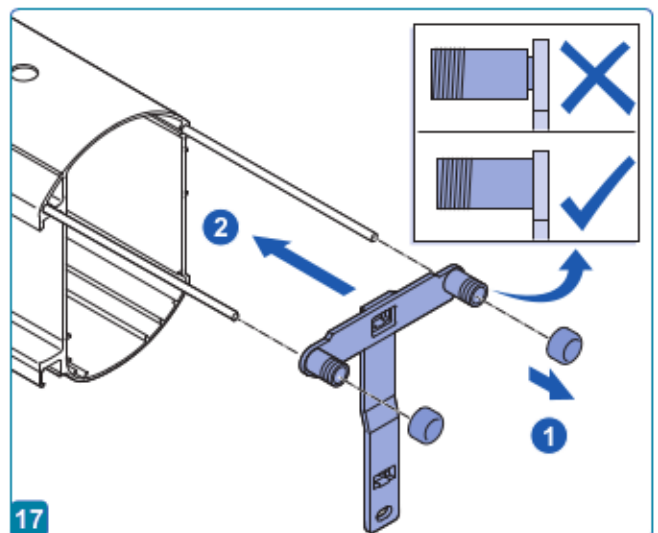
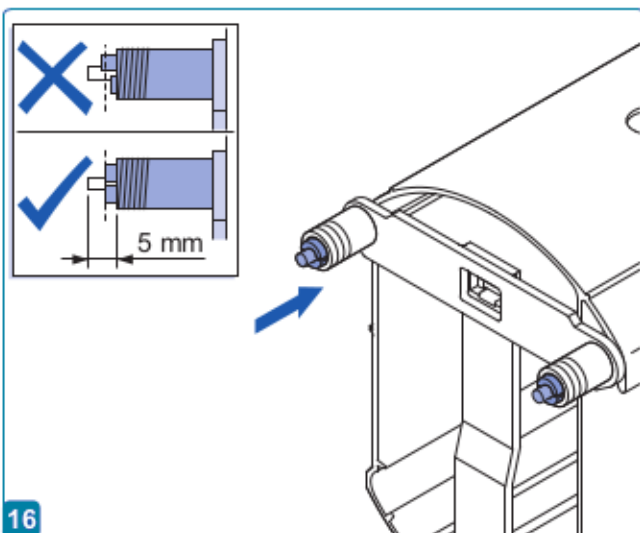
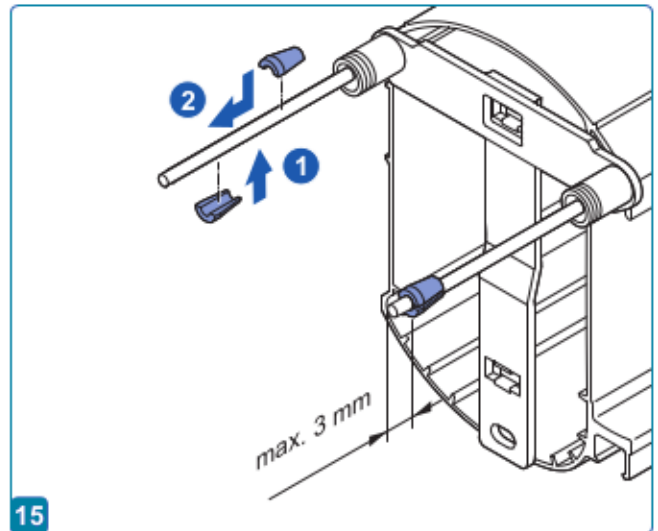
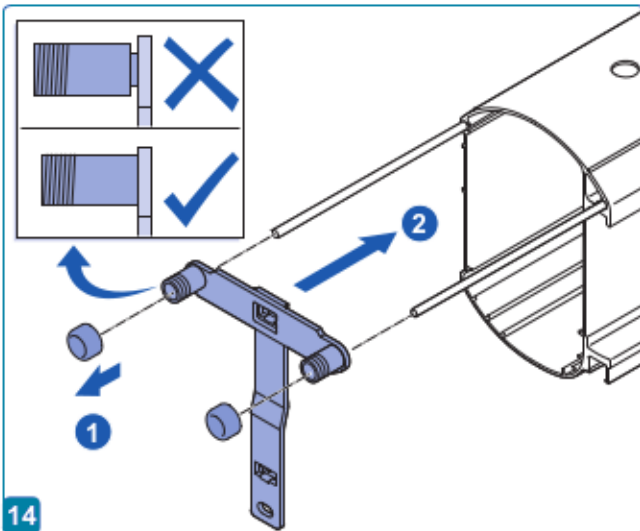
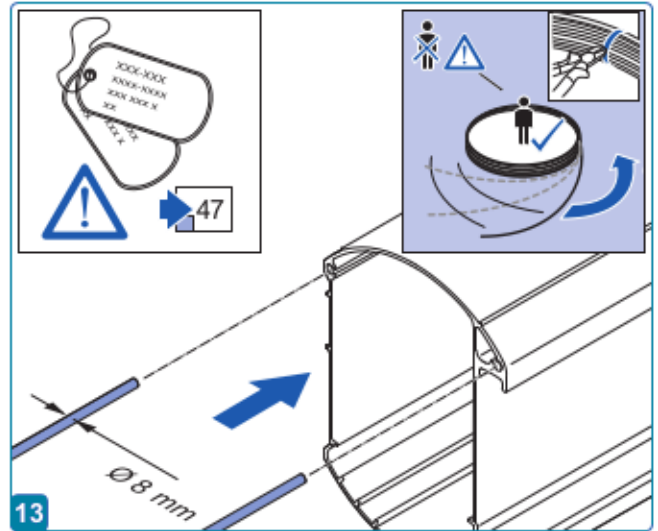
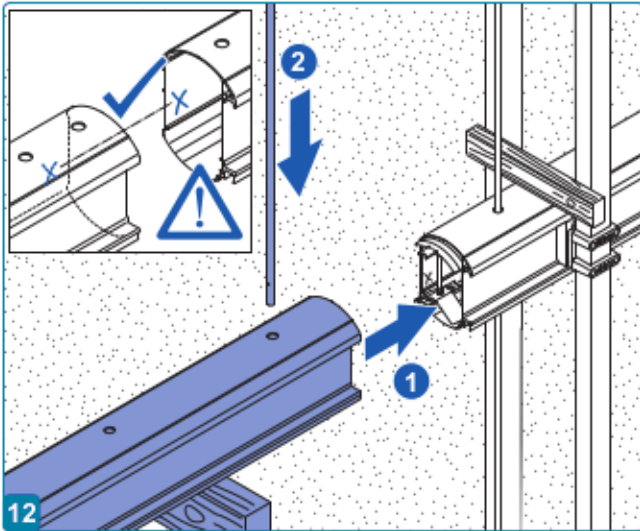
Explanation of symbols

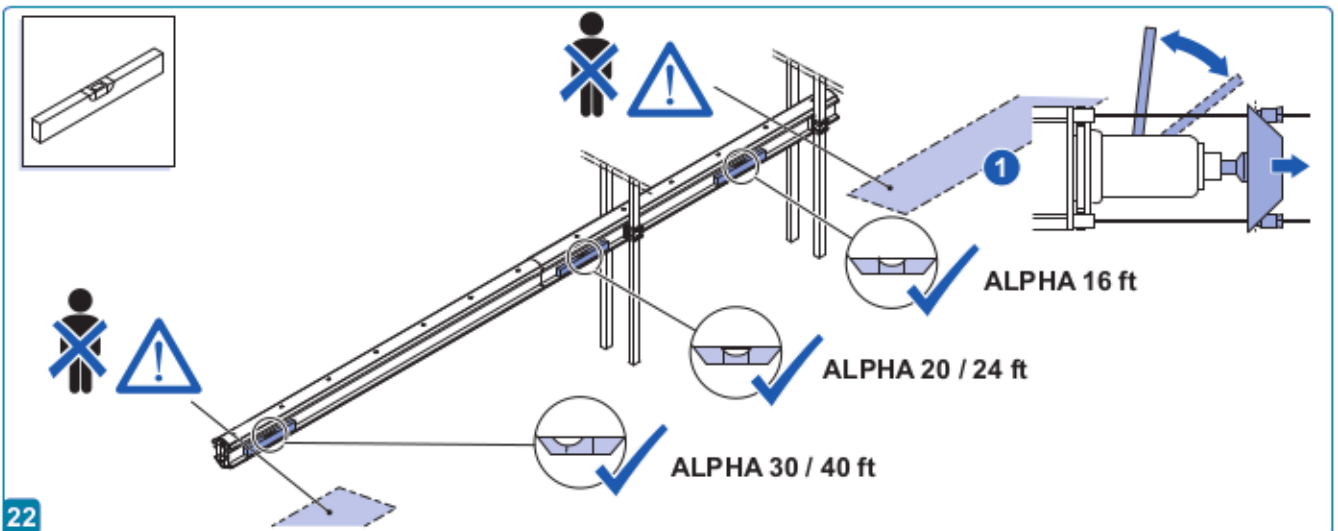
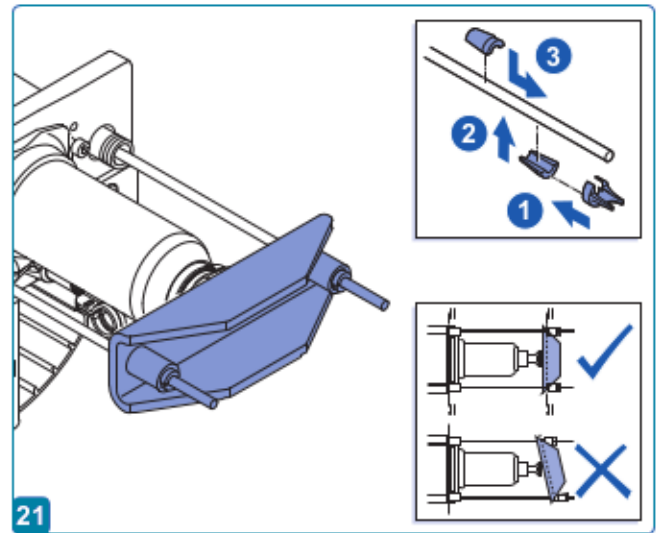
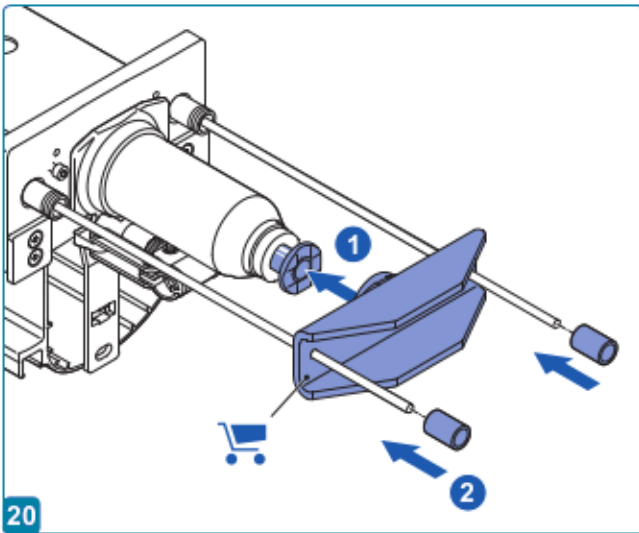
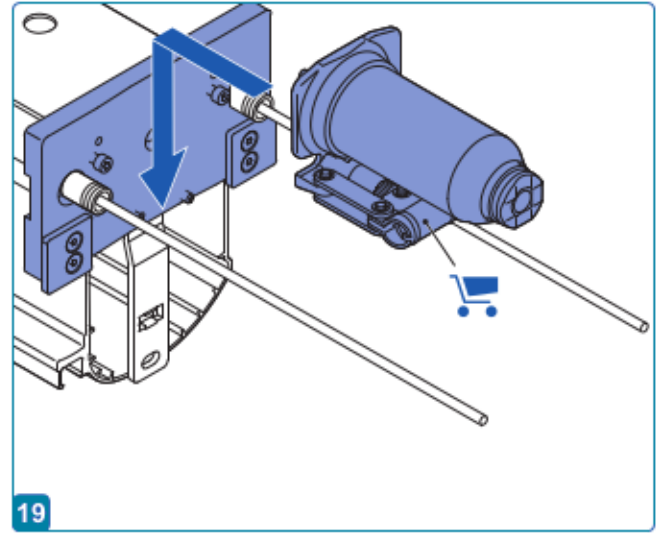
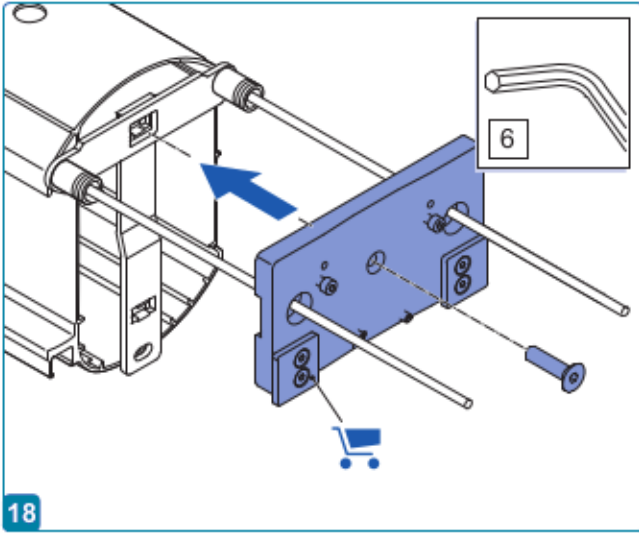
	Use an open-end wrench The number specifies the insertion size in mm.		Use a lifting tool/hoisting system.
	Use an Allen key The number specifies the insertion size in mm.		Use concrete Follow the instructions on the packaging.
	Use a screwdriver The symbol specifies the type of screw. The number specifies the size of the screw.		Use epoxy Follow the instructions on the packaging.
	Use a electric screwdriver The symbol specifies the type of screw. The number specifies the size of the screw.		Check the distance
	Use a drill The number specifies the drill bit diameter in mm.		Line of travel of the gate Specifies the line of travel of the gate.
	Ensure that the specified levels are level.		Fence line Specifies the position of an (existing) fence line.
	Dig a hole		Viewing angle A different viewing angle is used.
	Use an angle grinder		Extra to order Not included in gate kit.
	Use pliers		Page reference Specifies a reference to a page.
	Use a marker Mark the indicated position		Drawing reference Specifies a reference to a drawing number.
	Do not perform the work on your own.		

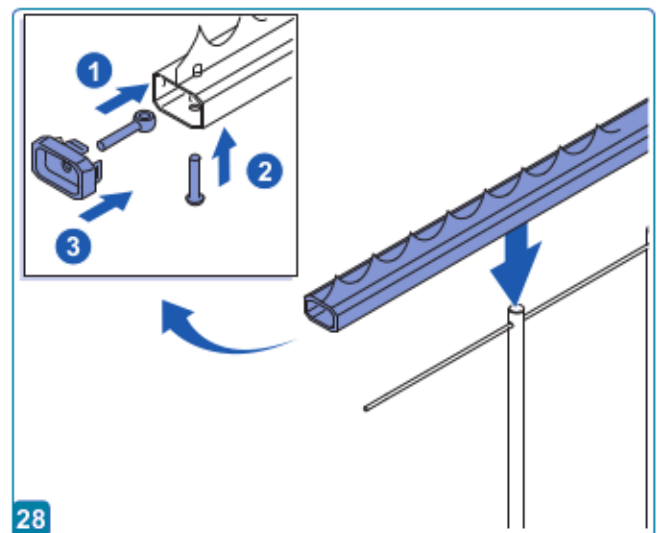
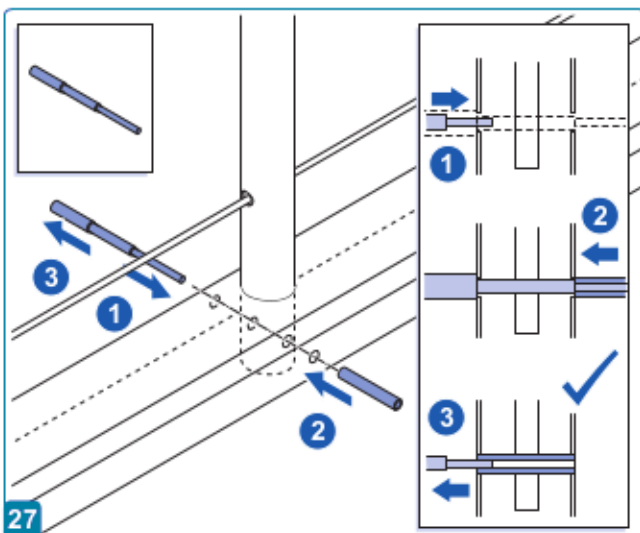
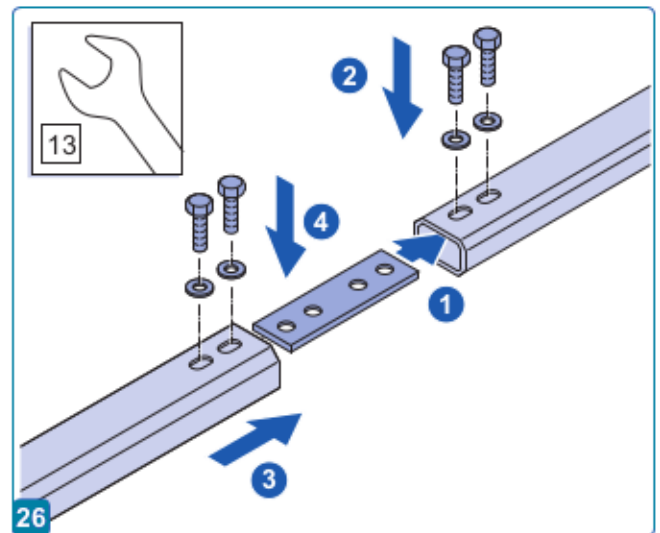
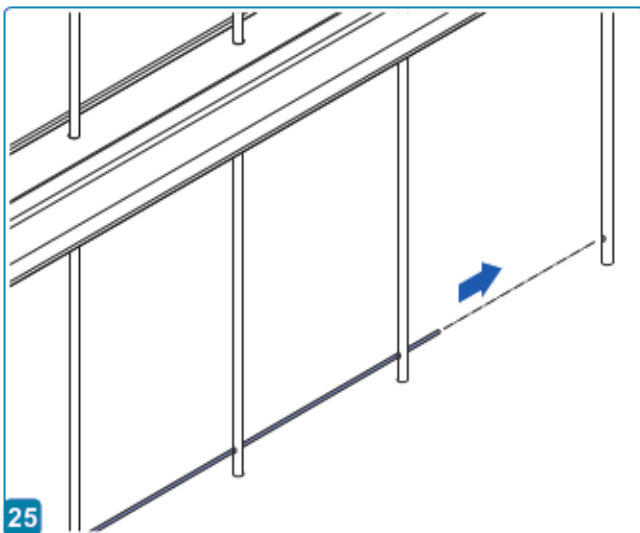
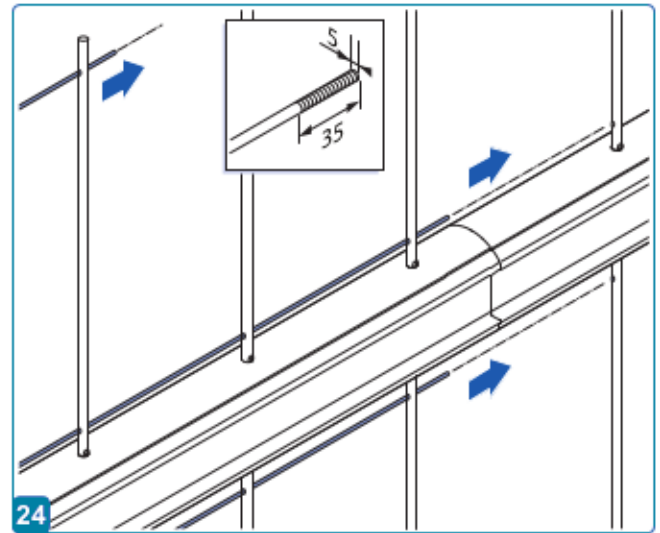
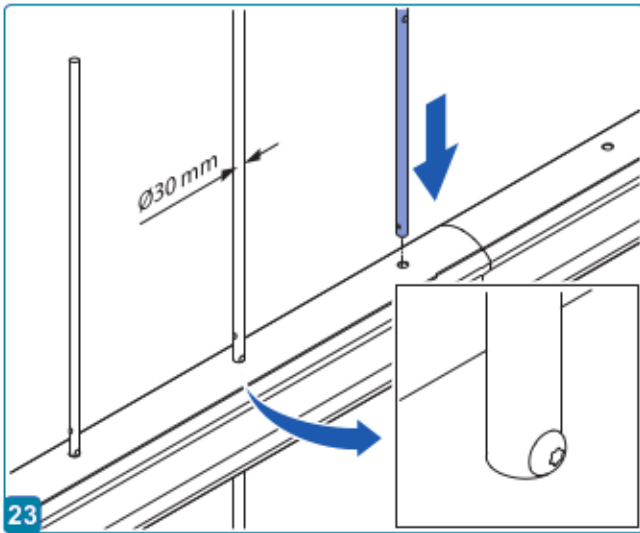


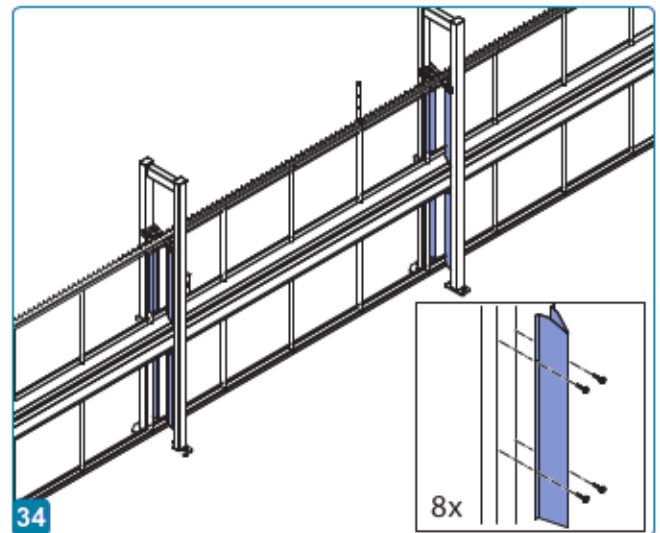
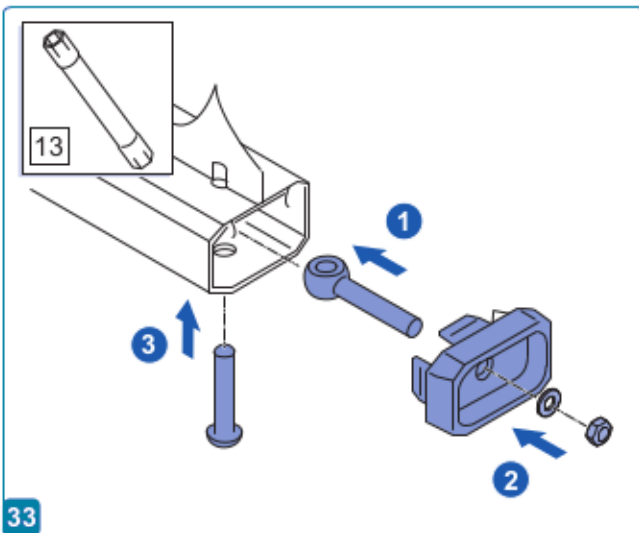
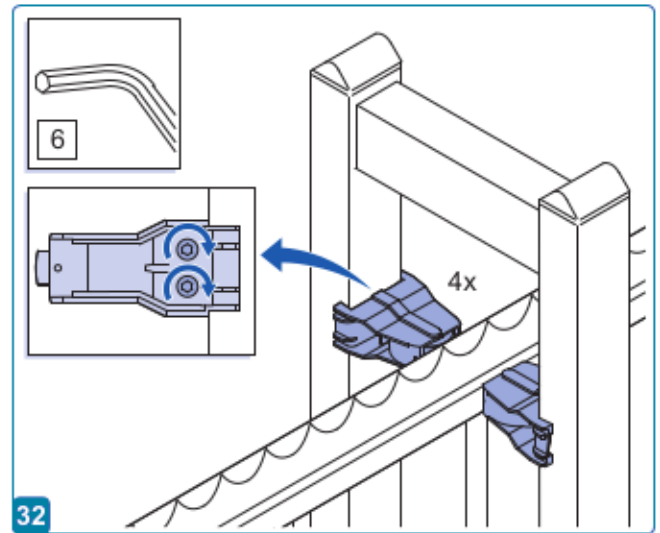
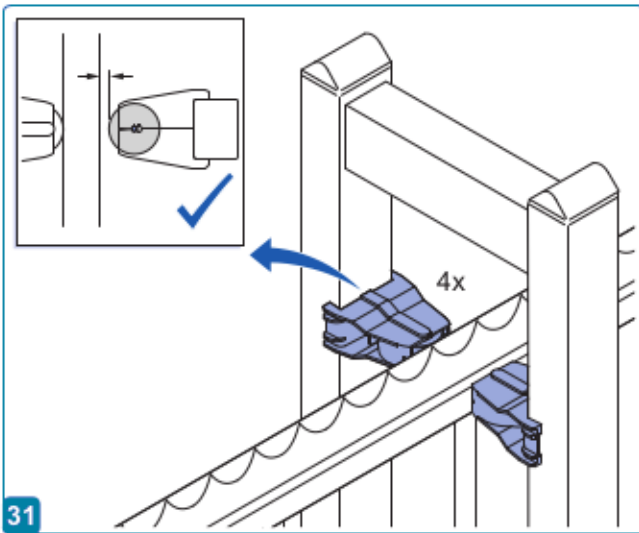
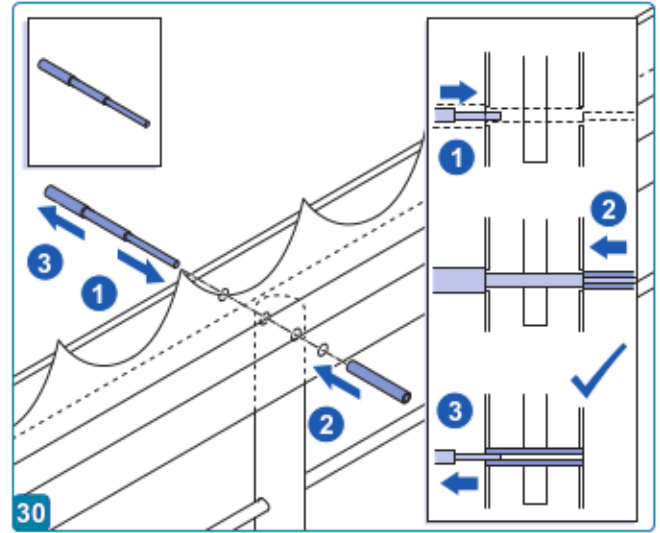
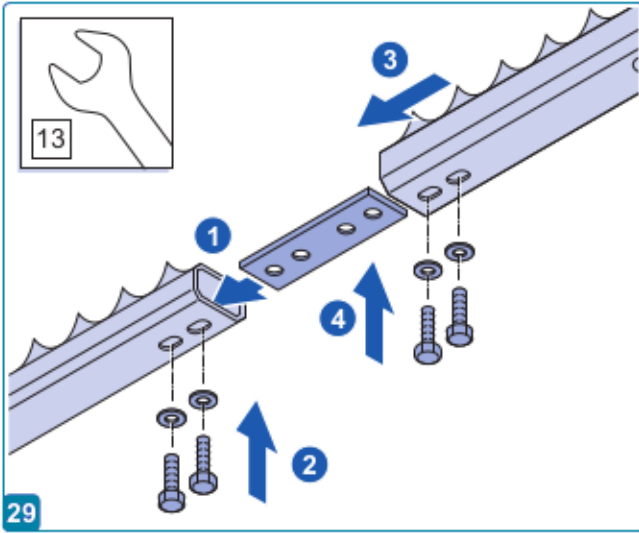


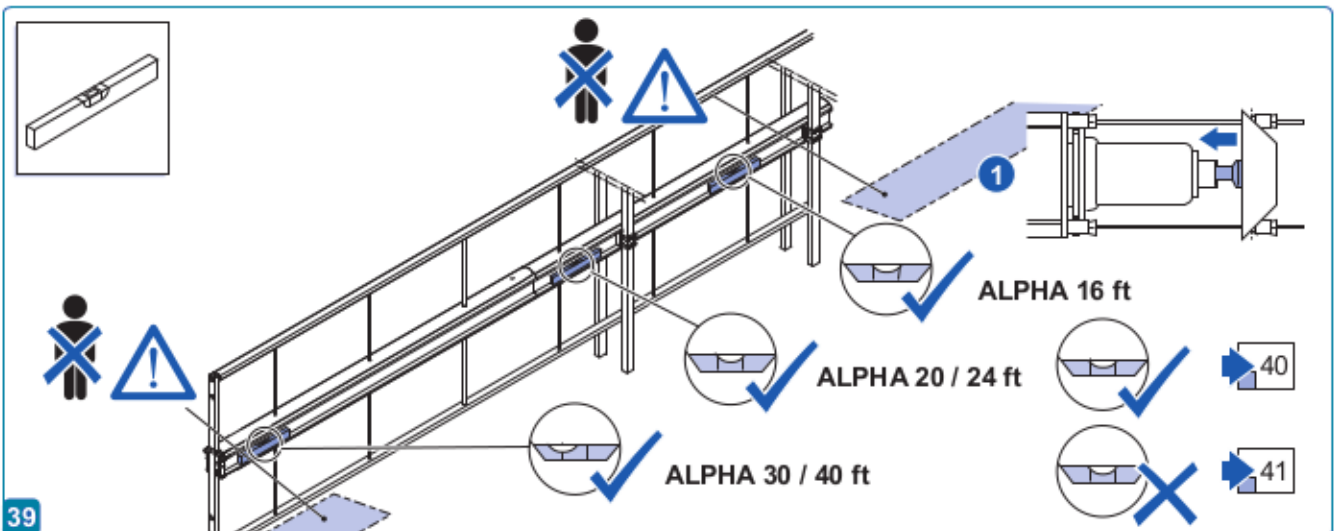
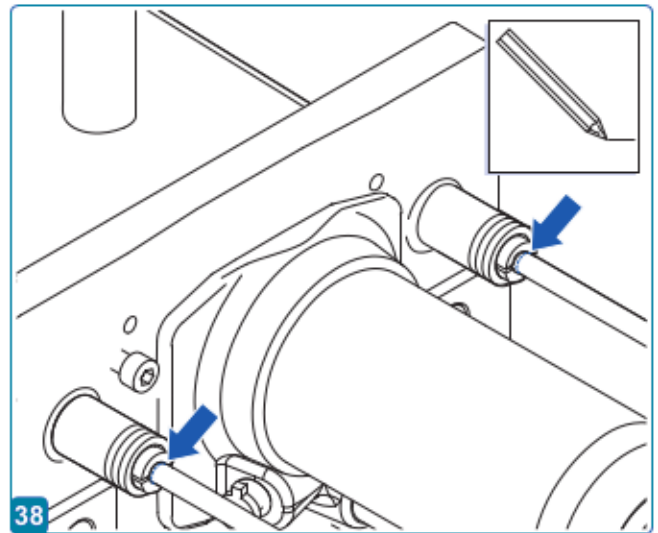
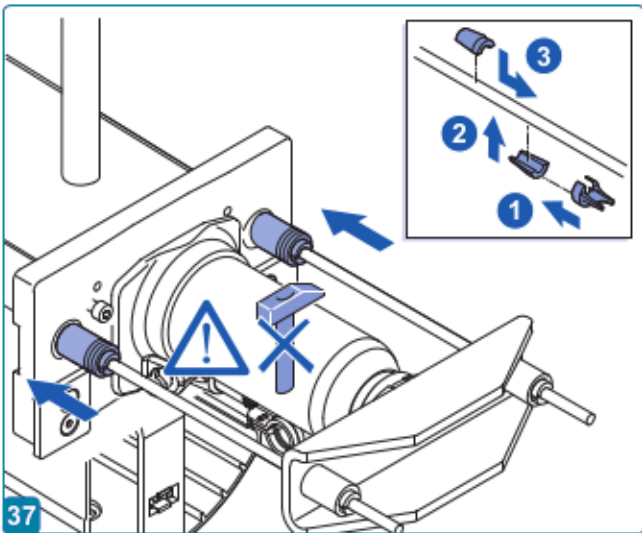
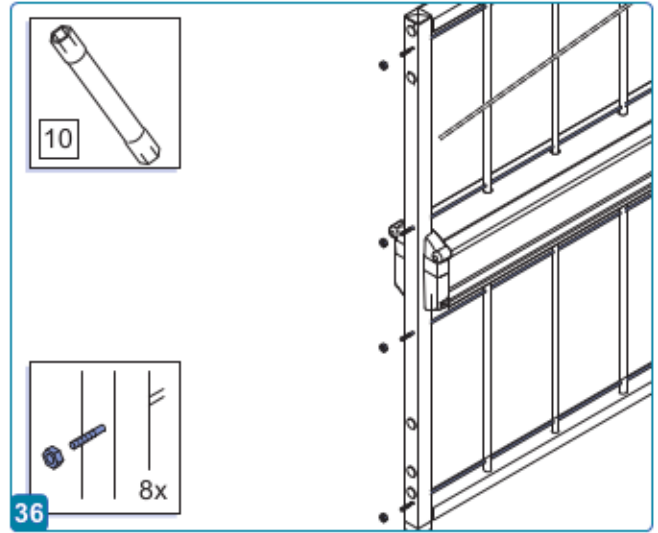
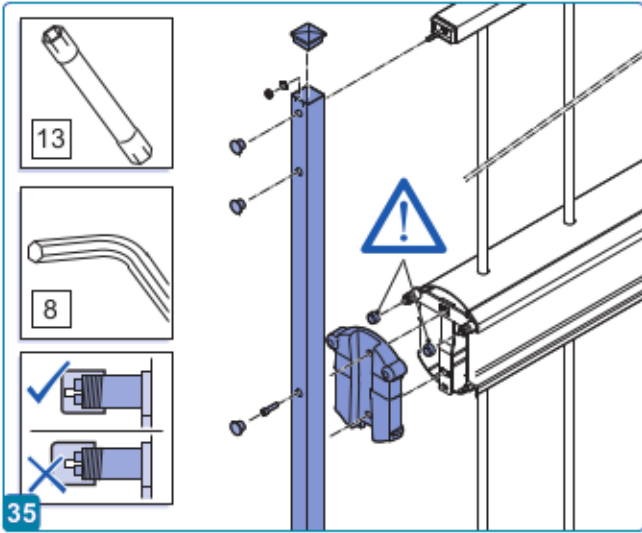


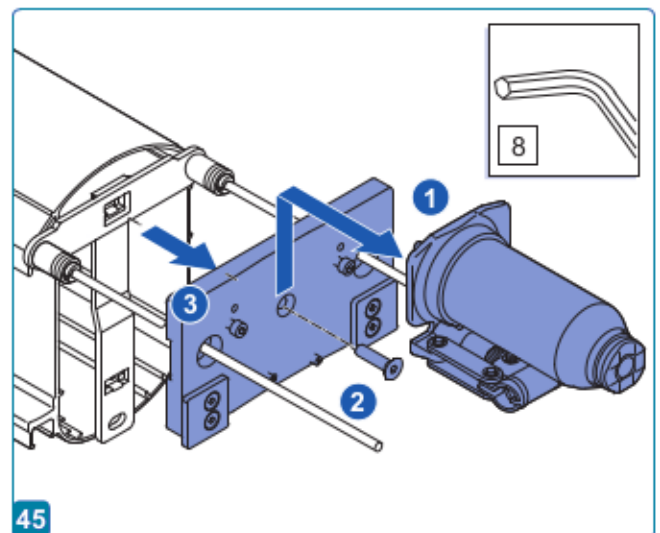
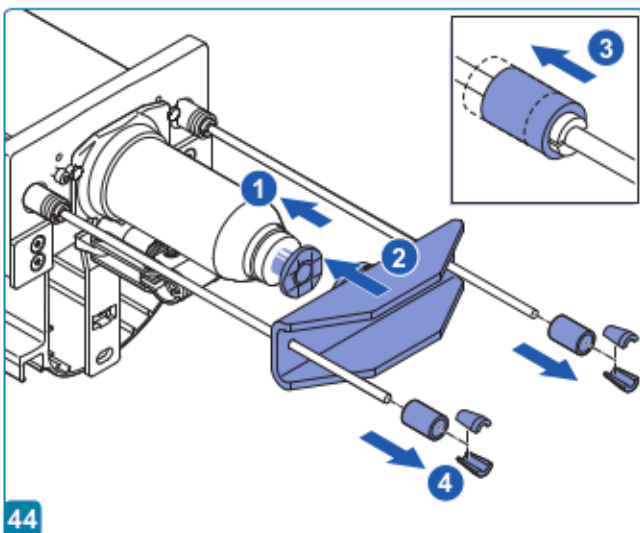
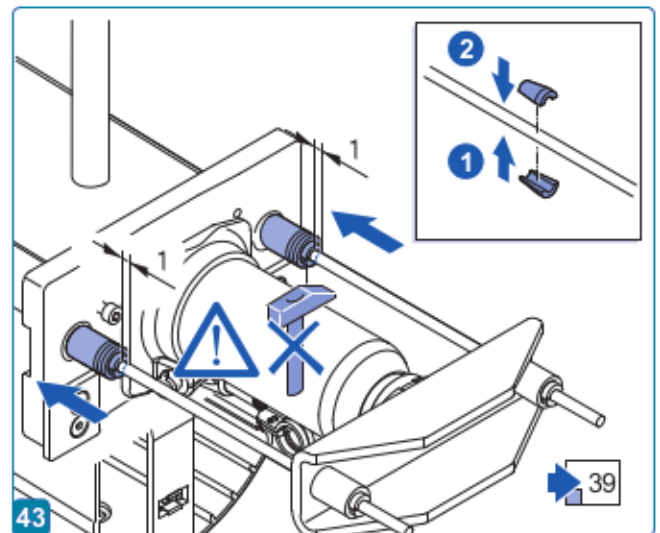
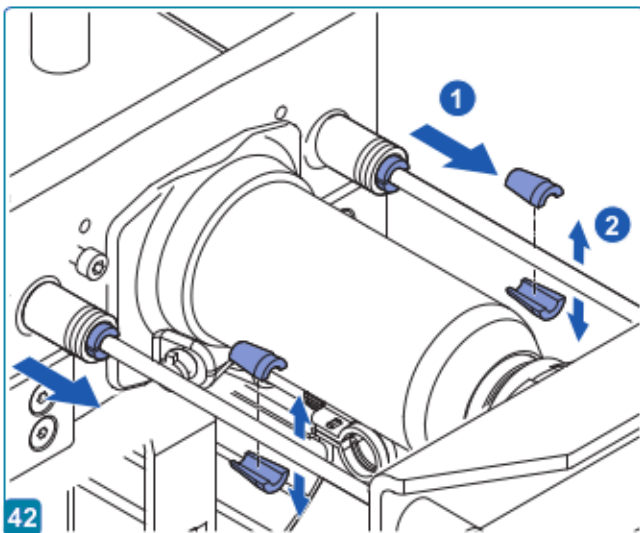
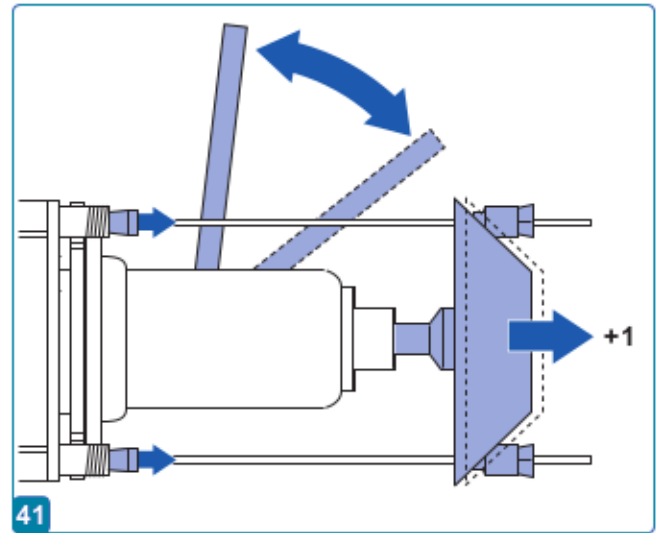
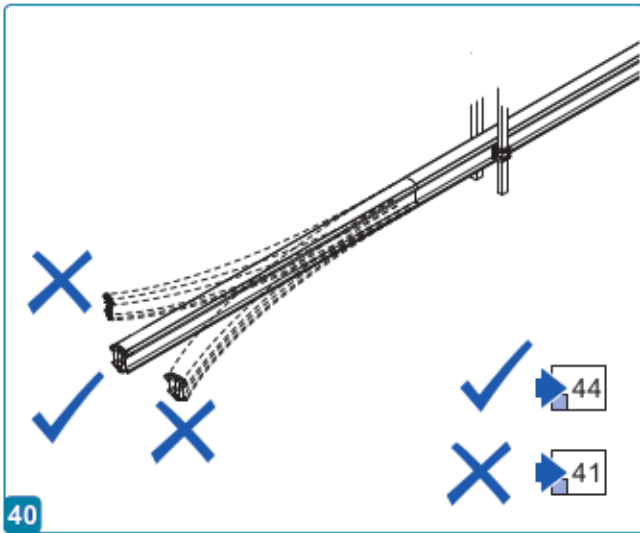


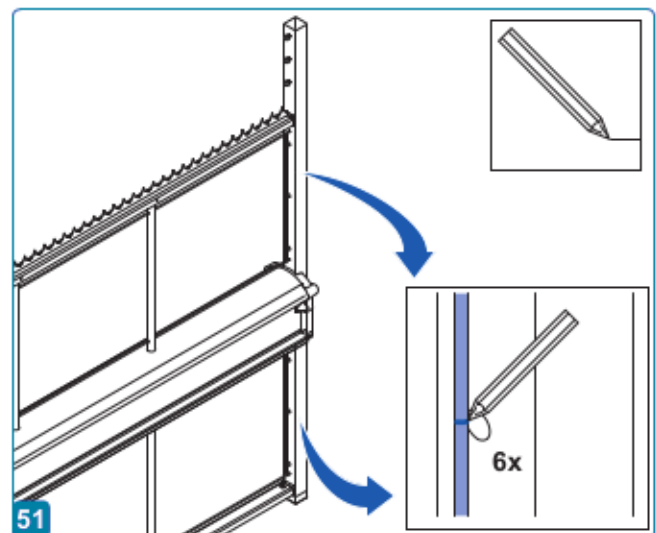
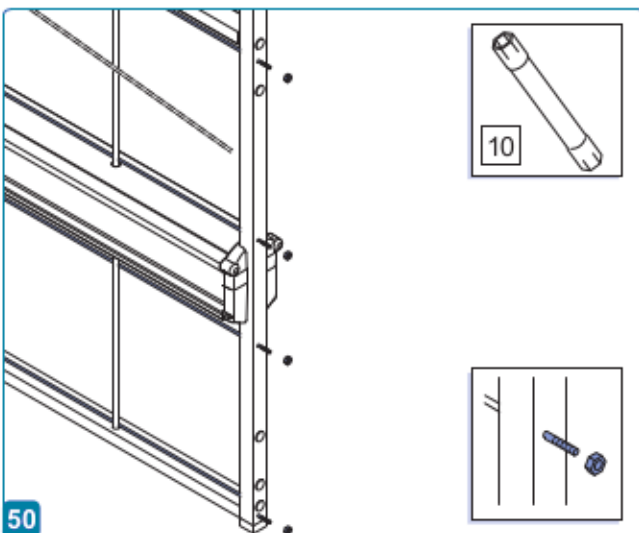
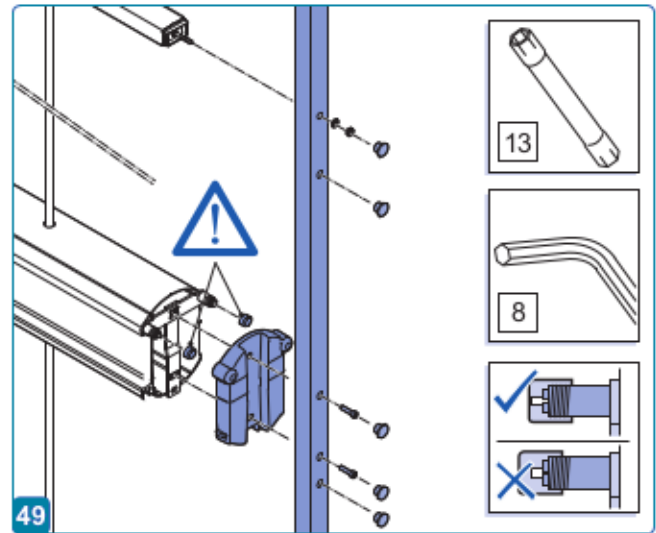
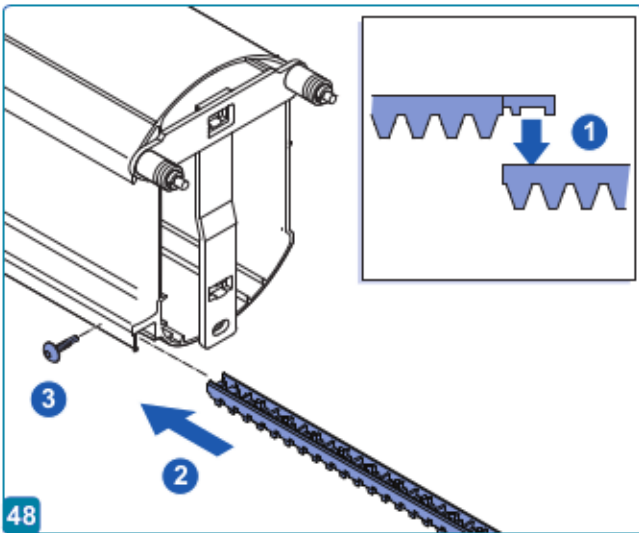
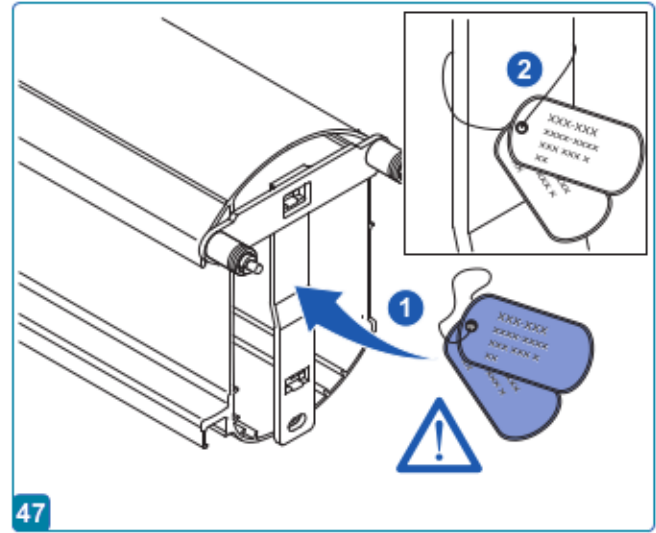
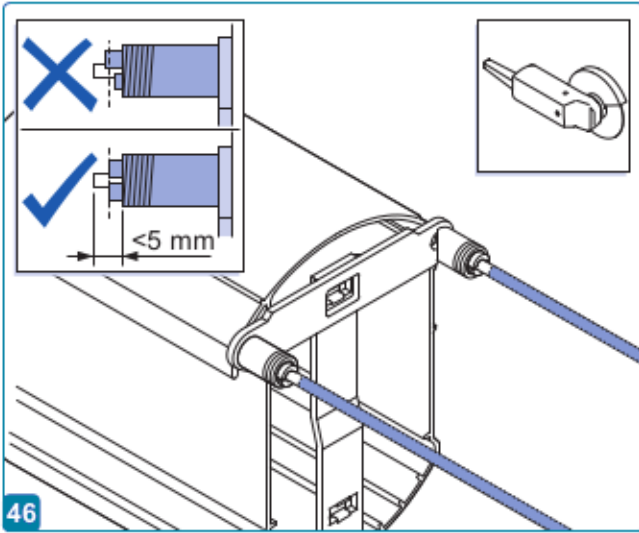


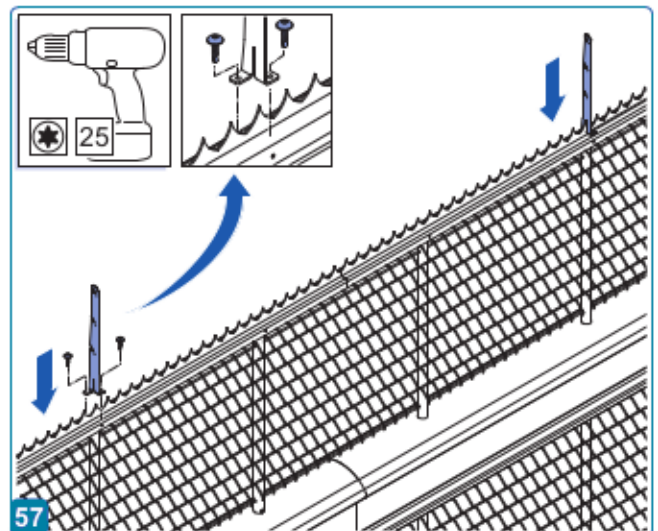
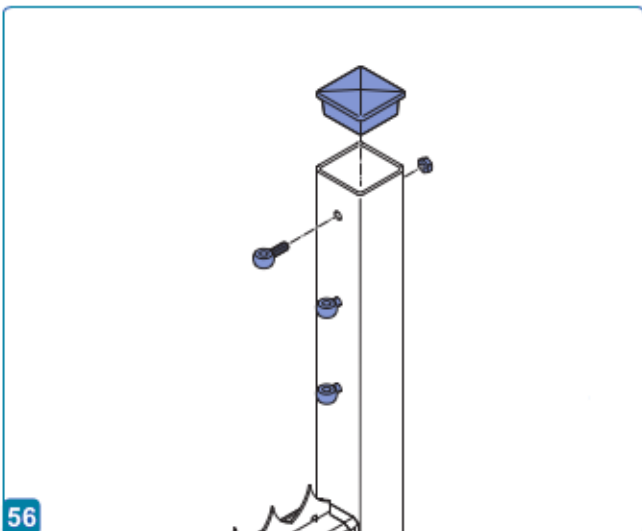
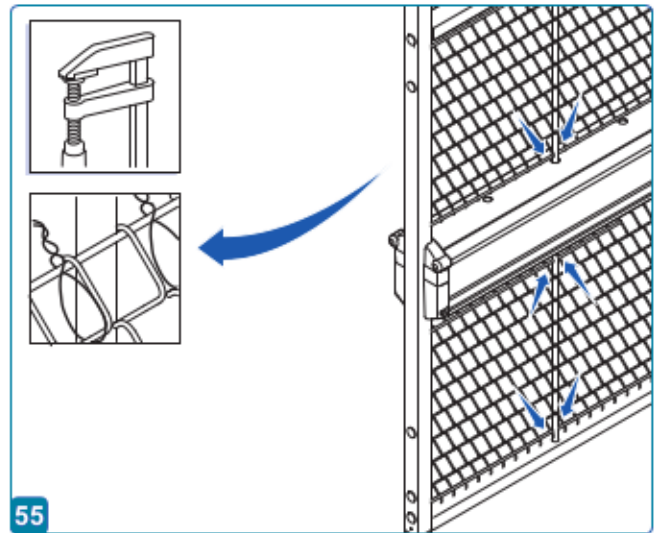
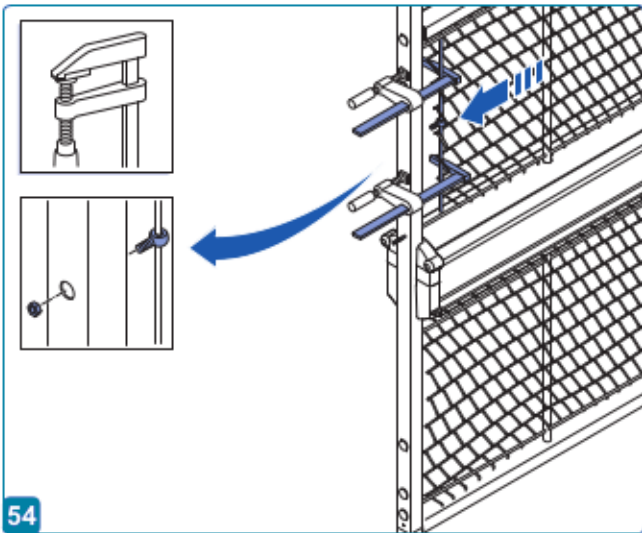
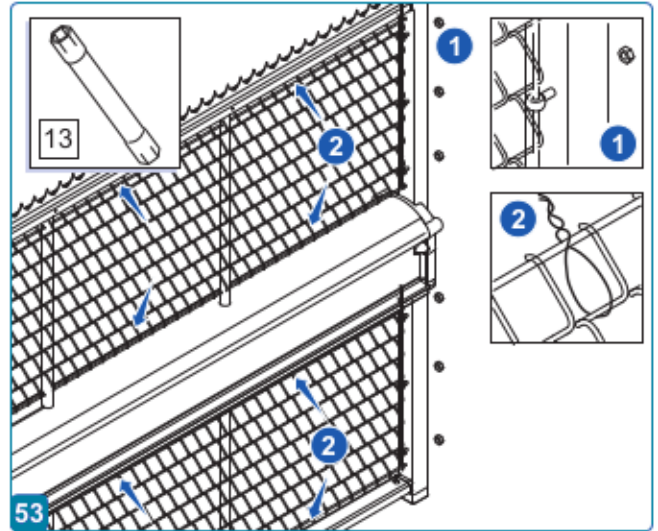
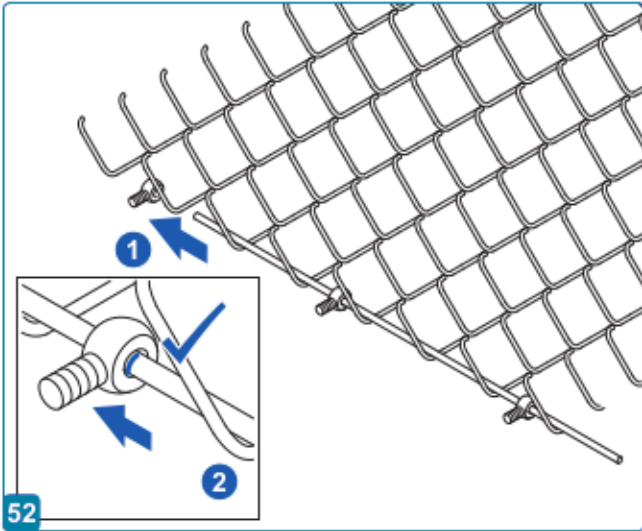


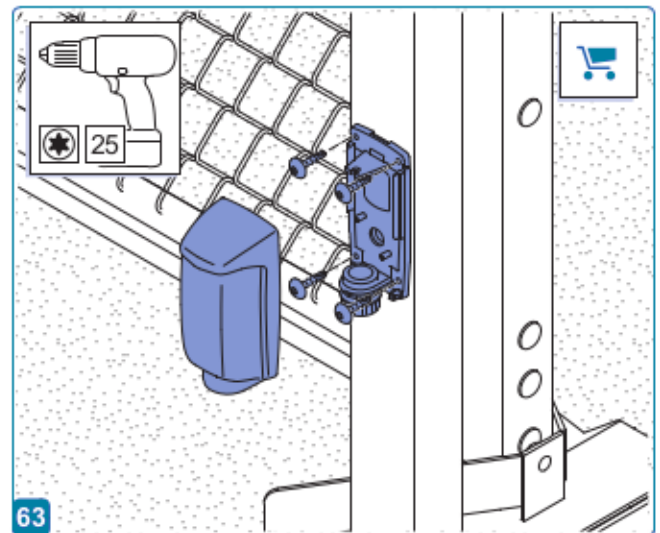
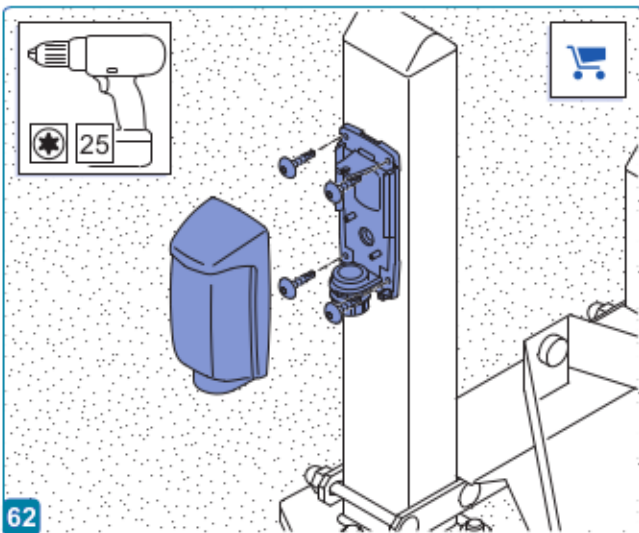
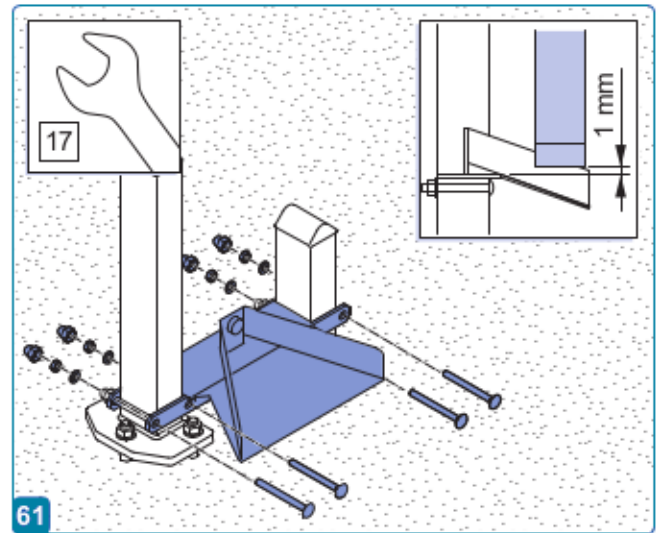
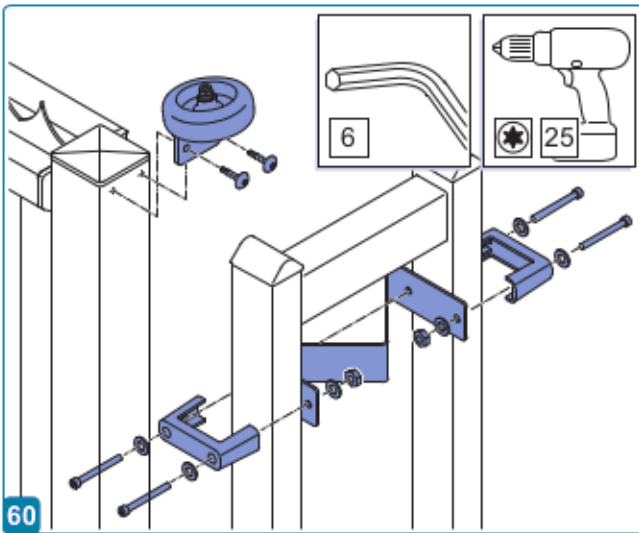
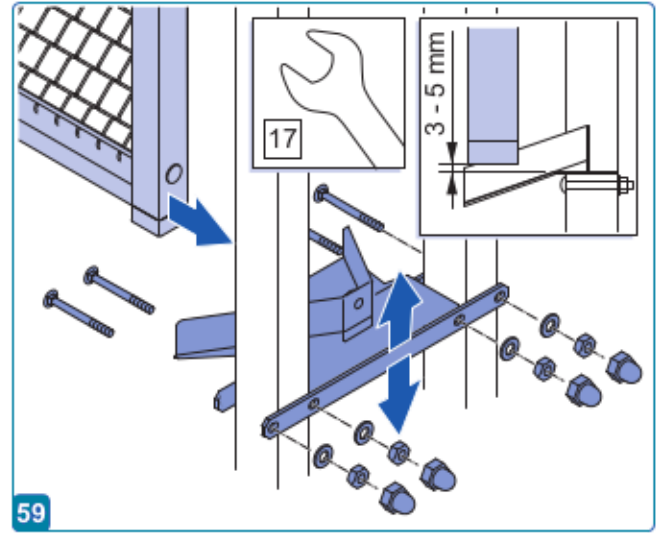
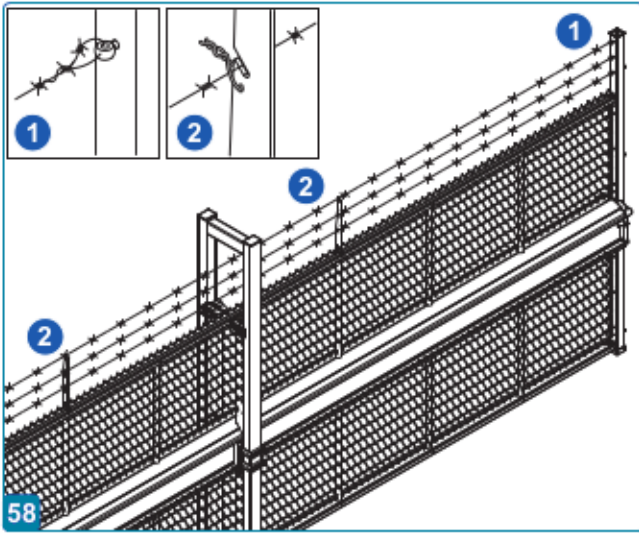












Local supplier stamp/

