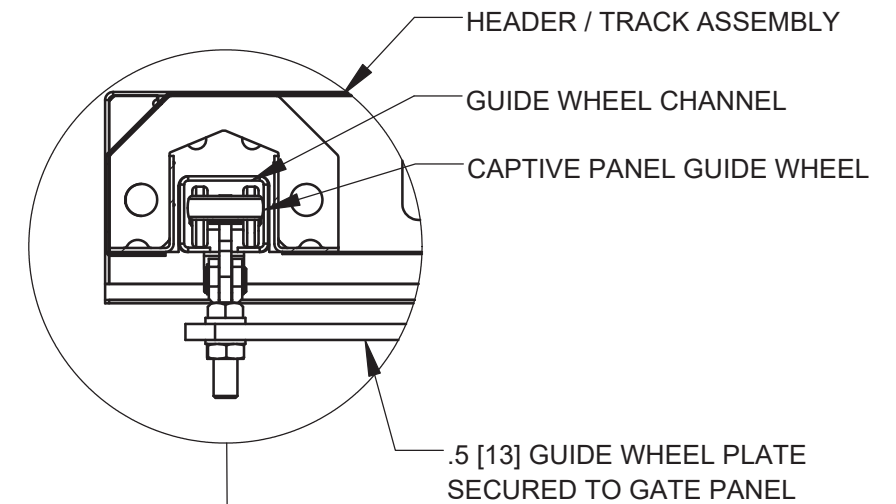
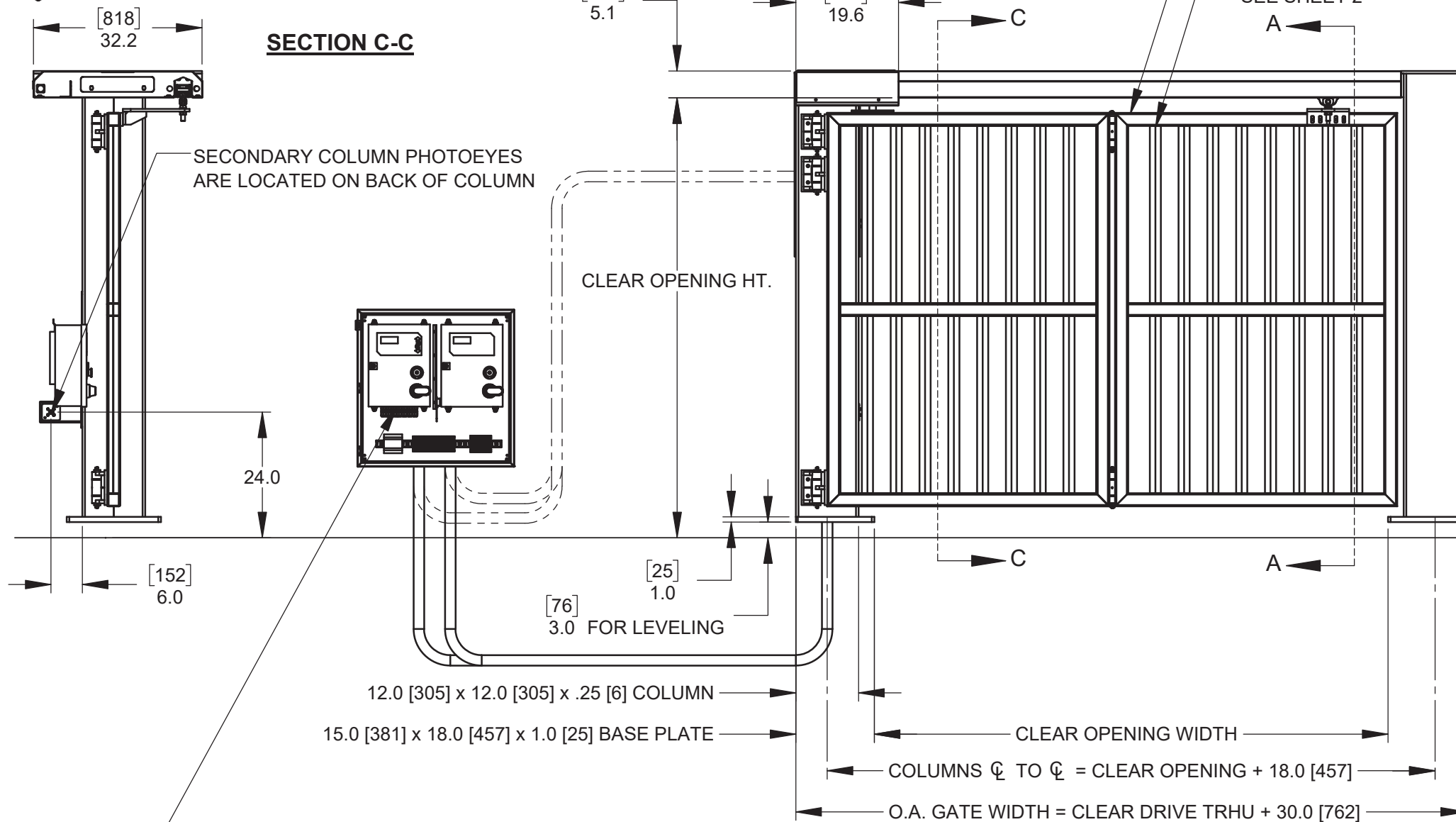


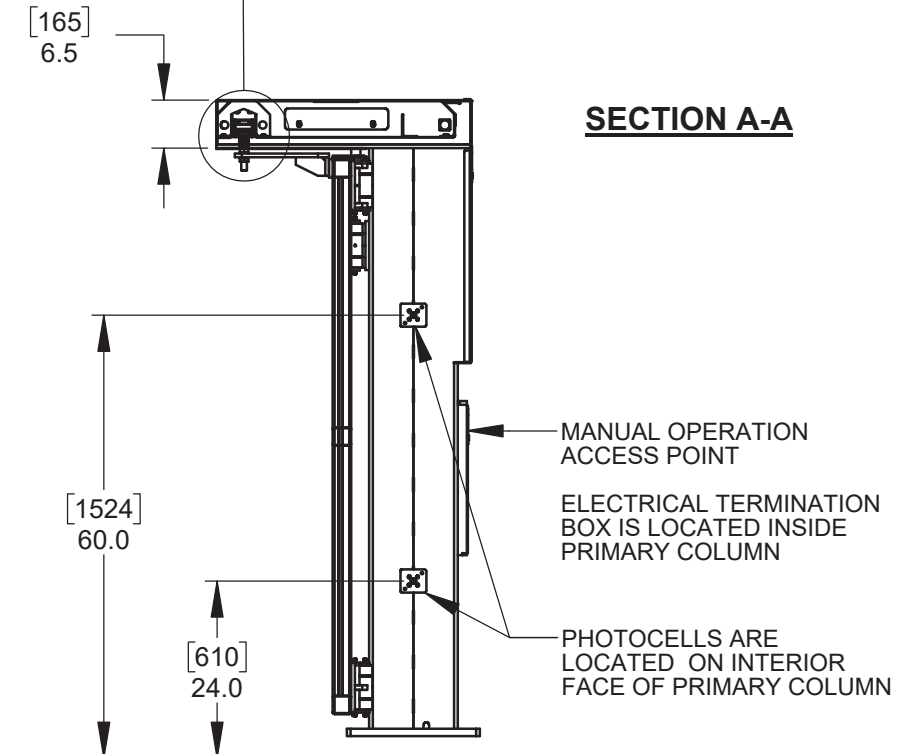
**DETAIL B - TRACK / GUIDE WHEEL**



**SECTION C-C**



**SECTION A-A**



**NOTES:**

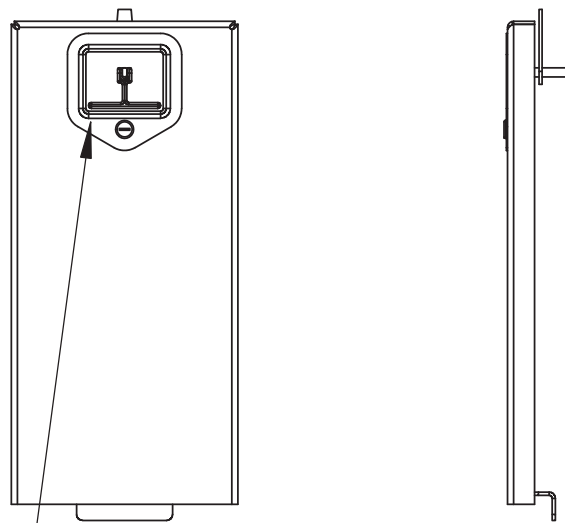
- FINISH:  
HOT DIPPED GALVANIZED FINISH STANDARD  
OPTIONAL POWDER COAT FINISH AVAILABLE
- PANEL LOCK SUPPLIED AND INSTALLED BY OTHERS

ELECTRICAL CONTROLLER IS MOUNTED IN A 30.0 [762] x 3.0 [762] x 12.0 [305] NEMA 3R ENCLOSURE, c/w WIRING HARNESS. STANDARD HARNESS LENGTH ALLOWS FOR CONTROLLER ENCLOSURE TO BE PLACED UP TO 30' [9144] FROM PRIMARY COLUMN. CONTROLLERS, ENCLOSURE AND HARNESS BY WALLACE INTERNATIONAL. CONDUIT - BY OTHERS. SEE SHEET 2 FOR CONDUIT SIZES, QUANTITIES AND LOCATIONS.  
**POWER REQUIREMENTS - 208 / 240V SINGLE PHASE - 20 AMP**



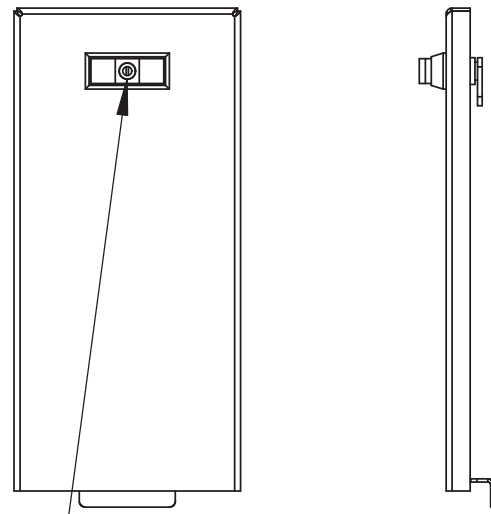
115 Lawson Crescent  
Winnipeg, Manitoba, Canada, R3P 1A6  
Phone: 1-866-300-1110  
Fax: 1-204-284-1868  
Web: www.wallaceperimetersecurity.com

Description:		
<b>CGTT SINGLE BIFOLD CORRIDOR GATE</b>		
Customer:		
Finish:	SEE NOTES	Date: 4/13/2020
Drawing No.	CGTT-11-21-19	Rev. A
		Sheet: 1 of 3



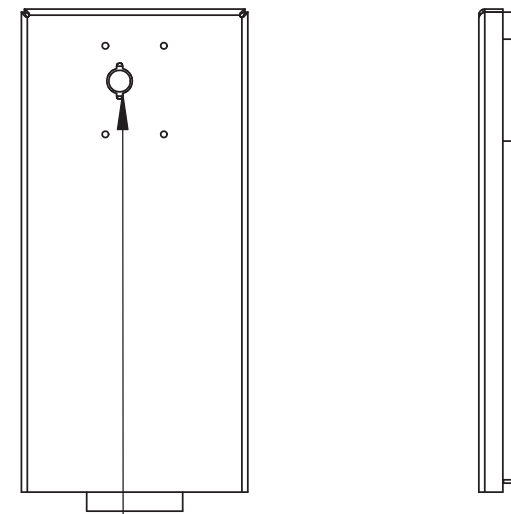
STANDARD T-HANDLE LOCK  
.13 [3] ALUMINUM ACCESS DOORS  
AT ALL COLUMN ACCESS POINTS

**DETAIL B1**  
STANDARD T-HANDLE LOCK



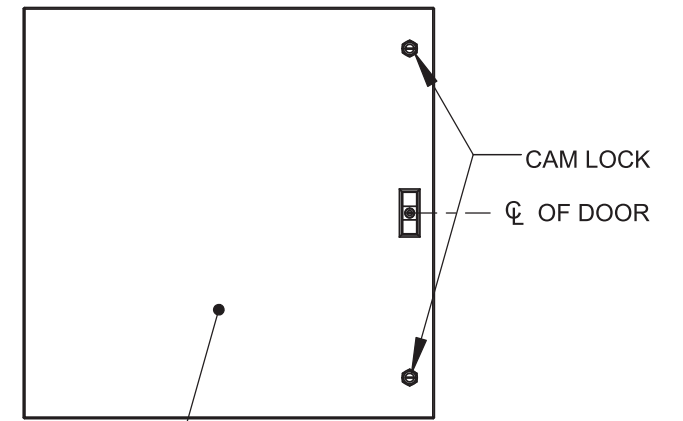
SPRING LOADED "POP LOCK" WITH  
ABLOY KEY  
.13 [3] ALUMINUM ACCESS DOORS AT  
ALL COLUMN ACCESS POINTS

**DETAIL B2**  
OPTIONAL HIGH SECURITY LOCK



PARACENTRIC LOCK  
12ga [3] STEEL ACCESS DOORS AT  
ALL COLUMN ACCESS POINTS

**DETAIL B3**  
OPTIONAL DETENTION GRADE LOCK



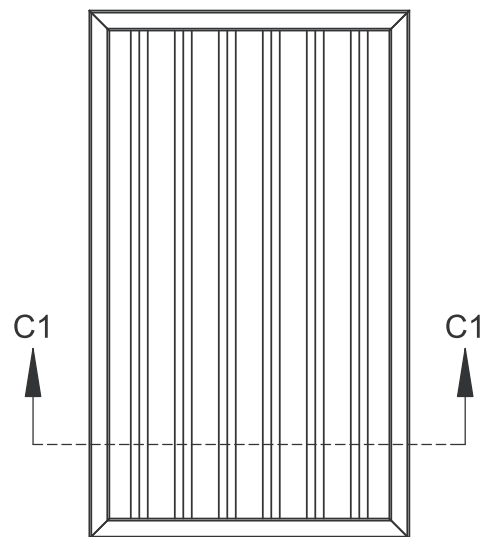
30 [762] x 30 [762] x 12 [305]  
CONTROLLER ENCLOSURE

**STANDARD:**  
CAM LOCK (x2)

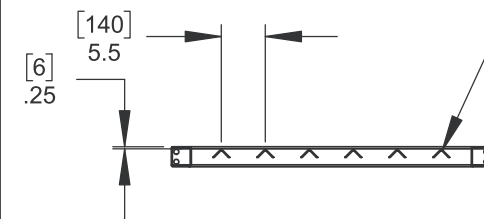
**OPTION 1:**  
HIGH SECURITY, POP LOCK @  $\phi$  OF DOOR

**OPTION 2:**  
DETENTION GRADE, PARACENTRIC LOCK @  $\phi$  OF DOOR

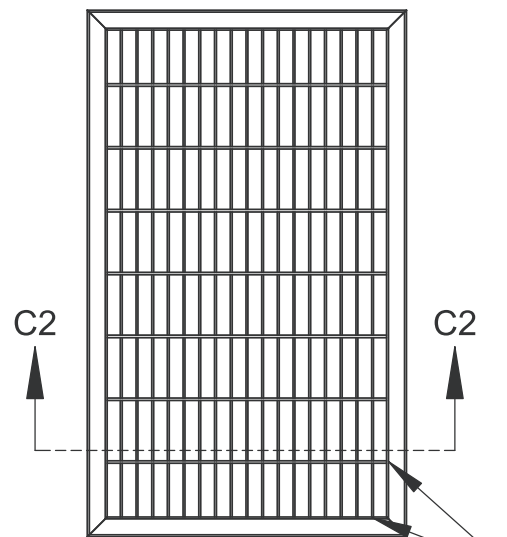
**DETAIL D**  
CONTROLLER ENCLOSURE LOCK



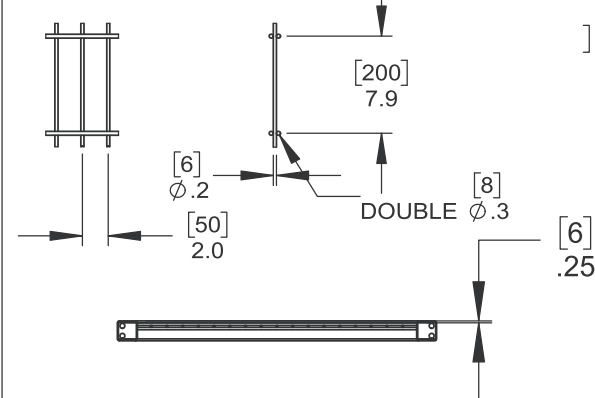
1.5 [38] x 1.5 [38] x .13 [3]  
STRUCTURAL ANGLE PICKETS



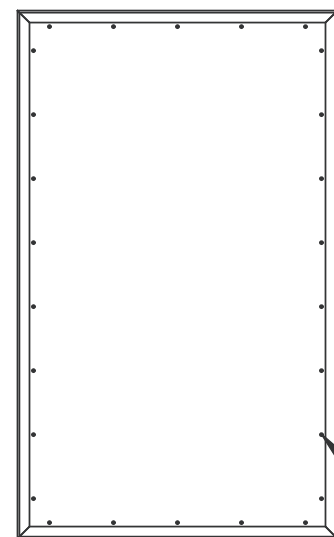
**DETAIL C1** - VERTICAL PICKET



WELDED WIRE INFILL IS WELDED  
TO PANEL FRAME AT ALL WIRE  
LOCATIONS



**DETAIL C2** - WELDED WIRE INFILL



INFILL PANELS ARE SECURED TO PANEL  
USING 3/16" [5] POP RIVET @ 10.0 [254] O/C

**OPTIONS:**

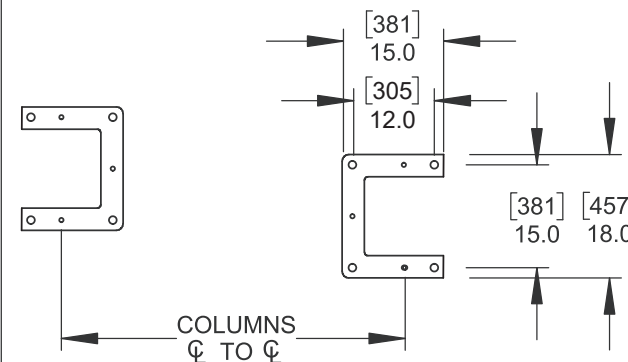
STANDARD: - 14ga [1.6] ALUMINUM  
HIGH SECURITY - 16ga [1.5] STEEL

**1 PANEL:** PANEL ON NON-SECURE SIDE

**2 PANEL:** PANELS ON BOTH NON-SECURE &  
SECURE SIDES



**DETAIL C3** - SOLID PANEL INFILL



**DETAIL E** OPTIONAL ANCHORS / ANCHOR TEMPLATE KIT:

**OPTIONAL ANCHOR TEMPLATE KIT:**

2 - .13 [3] STEEL ANCHOR TEMPLATES FOR FIELD  
CONSTRUCTION OF GATE ANCHOR DRILLING TEMPLATE.  
8 - HILTI HAS-E-16 ANCHORS  
8 - HILTI HVU ADHESIVE CAPSULES

**OPTIONAL ANCHOR BOLT KIT:**

8 - HILTI HAS-E-16 ANCHORS  
8 - HILTI HVU ADHESIVE CAPSULES

**INCLUDED:**

- ELECTRONIC GATE CONTROLLER MOUNTED IN A 30" [762] x 30" [762] x 12" [305] NEMA 3R ENCLOSURE.  
- ELECTRICAL HARNESS TO CONNECT GATE CONTROLLERS TO DRIVE COMPONENTS.  
STANDARD WIRING HARNESS LENGTH ALLOWS FOR THE CONTROL ENCLOSURE TO BE MOUNTED UP  
TO 30' [9144] FROM PRIMARY COLUMN. OPTIONAL EXTENDED WIRING HARNESS IS AVAILABLE.  
CONTACT WALLACE PERIMETER SECURITY FOR DETAILS.  
- KEY(S) AND LOCK(S) FOR ALL ACCESS PANELS, SEE SHEET 3, DETAILS E1 TO E4 FOR AVAILABLE LOCK  
OPTIONS.

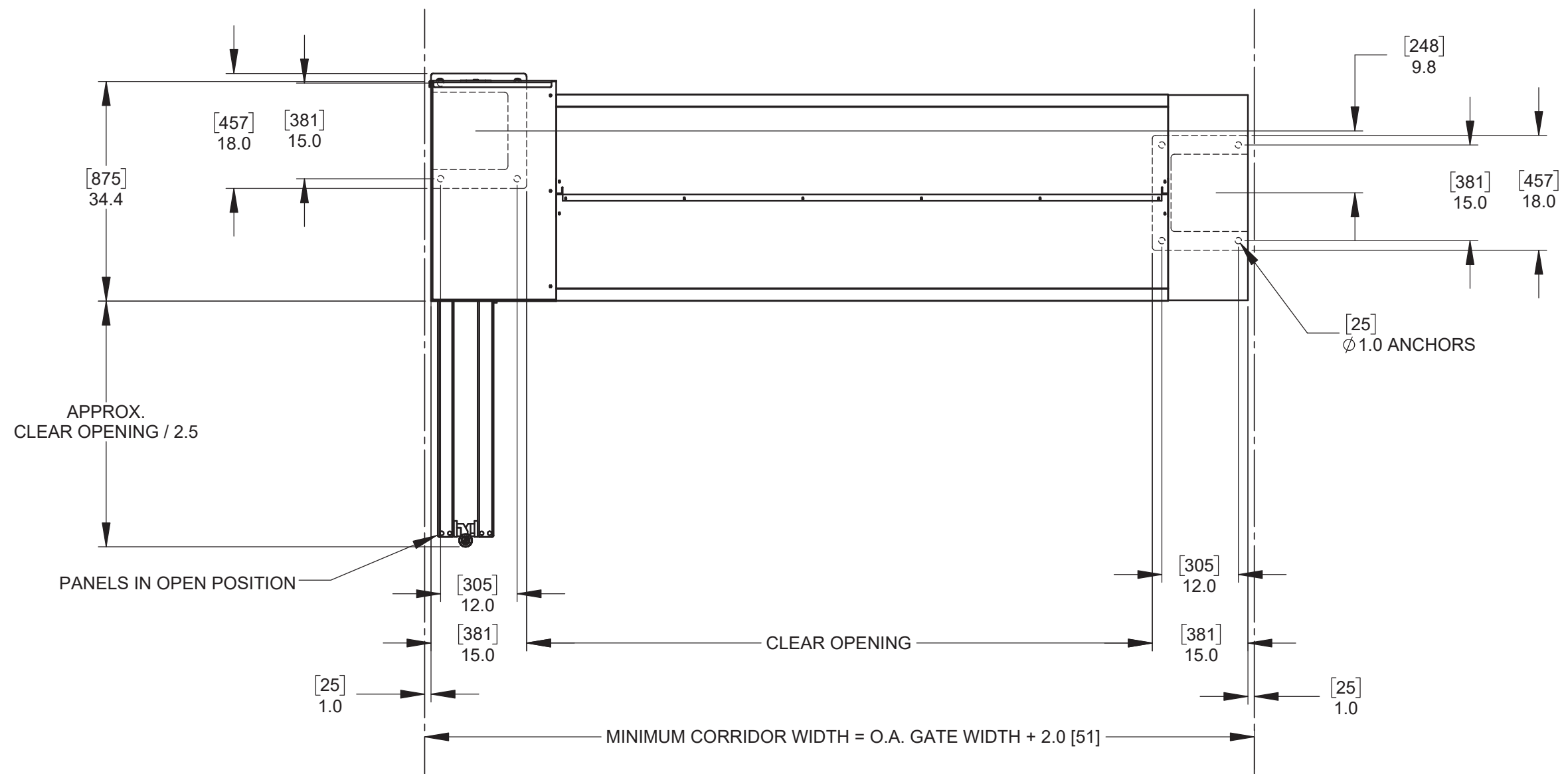
**NOT INCLUDED:**

- GATE MOUNTING HARDWARE, OPTIONAL ANCHOR BOLT OR ANCHOR BOLT & TEMPLATE KITS AVAILABLE.  
- VEHICLE DETECTION LOOPS  
- GROUT TO FILL GAP UNDER COLUMN BASE PLATES WHEN GATE INSTALLATION / LEVELING IS COMPLETE



115 Lowson Crescent  
Winnipeg, Manitoba, Canada, R3P 1A6  
Phone: 1-866-300-1110  
Fax: 1-204-284-1868  
Web: www.wallaceperimetersecurity.com

Description:		<b>CGTT SINGLE BIFOLD CORRIDOR GATE</b>	
Customer:			
Finish:		Date:	4/13/2020
Drawing No.	<b>CGTT-11-21-19</b>	Rev.	<b>A</b>
		Sheet:	2 of 3



Description:		
<b>CGTT SINGLE BIFOLD CORRIDOR GATE</b>		
Customer:		
Finish:	Date:	
	4/13/2020	
Drawing No.	Rev.	Sheet:
<b>CGTT-11-21-19</b>	<b>A</b>	<b>3 of 3</b>



115 Lawson Crescent  
 Winnipeg, Manitoba, Canada, R3P 1A6  
 Phone: 1-866-300-1110  
 Fax: 1-204-284-1868  
 Web: www.wallaceperimetersecurity.com