

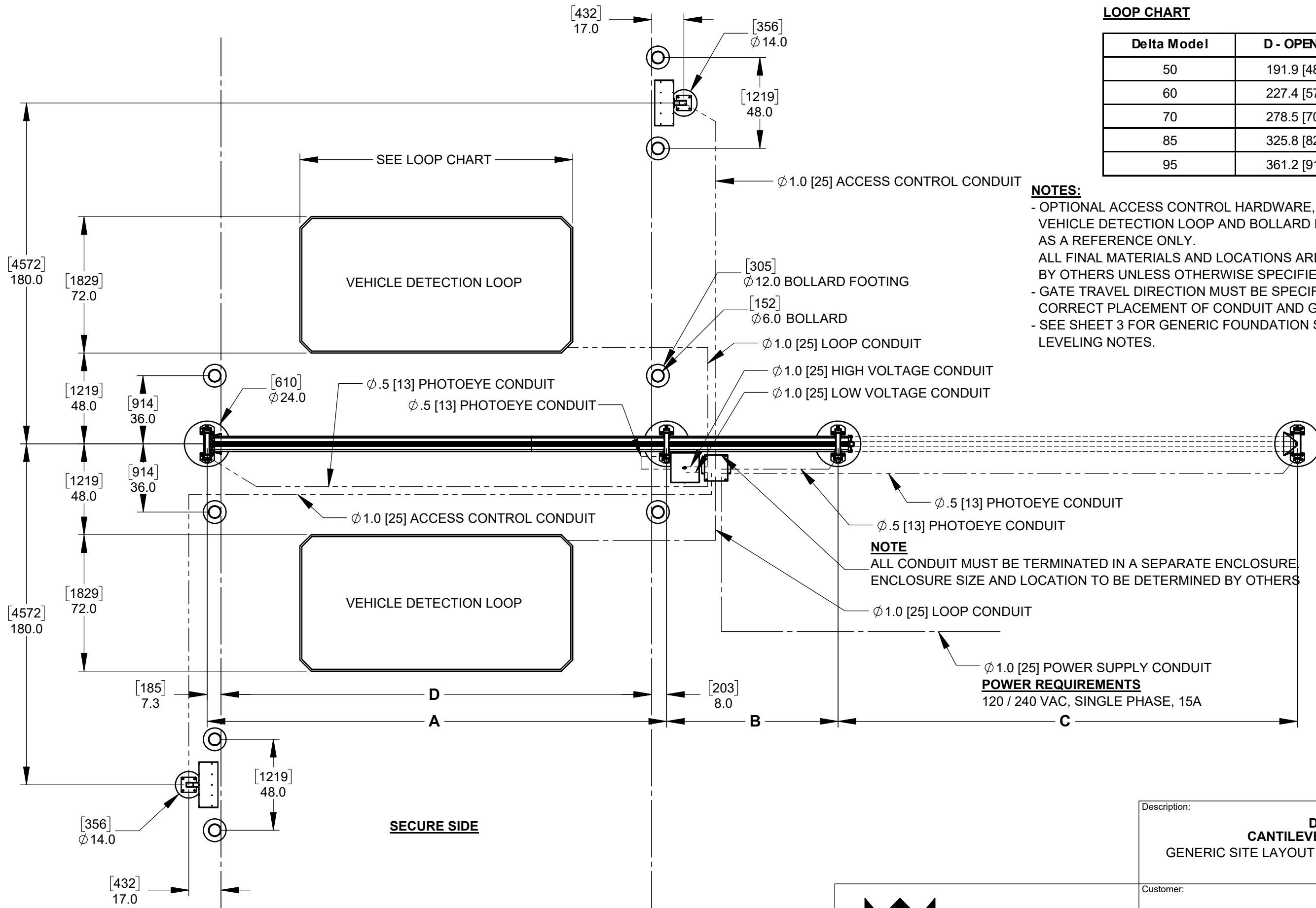
DIMENSIONS ARE SHOWN IN INCHES, DIMENSIONS IN [ ] ARE IN MILLIMETERS.

Delta Model	H	A	B	C	D	U max	SP
50/200	78.7 [2000]	207.1 [5260]	90.6 [2300]	207.1 [5260]	191.9 [4875]	210.2 [12960]	5.55 [141]
50/250	98.4 [2500]						
60/200	78.7 [2000]	242.5 [6160]	90.6 [2300]	242.5 [6160]	227.4 [5775]	581.1 [14760]	5.55 [141]
60/250	98.4 [2500]						
70/200	78.7 [2000]	293.7 [7460]	110.2 [2800]	293.7 [7460]	278.5 [7075]	703.1 [17860]	5.63 [143]
70/250	98.4 [2500]						
85/200	78.7 [2000]	340.9 [8660]	110.2 [2800]	340.9 [8660]	325.8 [8275]	797.6 [20260]	5.63 [143]
85/250	98.4 [2500]						
95/200	78.7 [2000]	375.4 [9560]	110.2 [2800]	375.4 [9560]	361.2 [9175]	868.5 [22060]	5.55 [141]



115 Lowson Crescent  
Winnipeg, Manitoba, Canada, R3P 1A6  
Phone: 1-866-300-1110  
Fax: 1-204-284-1868  
Web: www.wallaceperimetersecurity.com

Description:		
<b>DELTA CANTILEVER SLIDE GATE</b>		
Customer:		
Finish:	Date:	
SEE FINISH NOTES	7/17/2024	
Drawing No.	Rev.	Sheet:
<b>DELTA-02-22-24</b>		1 of 6



**LOOP CHART**

Delta Model	D - OPENING	LOOP WIDTH
50	191.9 [4875]	144.0 [3658]
60	227.4 [5775]	168.0 [4267]
70	278.5 [7075]	216.0 [2486]
85	325.8 [8275]	240.0 [6096]
95	361.2 [9175]	240.0 [6096]

**NOTES:**

- OPTIONAL ACCESS CONTROL HARDWARE, VEHICLE DETECTION LOOP AND BOLLARD LOCATIONS ARE SUPPLIED AS A REFERENCE ONLY.
- ALL FINAL MATERIALS AND LOCATIONS ARE SUPPLIED AND INSTALLED BY OTHERS UNLESS OTHERWISE SPECIFIED AT TIME OF ORDER.
- GATE TRAVEL DIRECTION MUST BE SPECIFIED AT TIME OF ORDER FOR CORRECT PLACEMENT OF CONDUIT AND GATE OPERATOR.
- SEE SHEET 3 FOR GENERIC FOUNDATION SIZING, INSTALLATION AND LEVELING NOTES.

**NOTE**

ALL CONDUIT MUST BE TERMINATED IN A SEPARATE ENCLOSURE, ENCLOSURE SIZE AND LOCATION TO BE DETERMINED BY OTHERS

1.0 [25] POWER SUPPLY CONDUIT

**POWER REQUIREMENTS**

120 / 240 VAC, SINGLE PHASE, 15A

PRODUCT MUST BE INSTALLED IN ACCORDANCE WITH ASTM: F-2200 & UL325

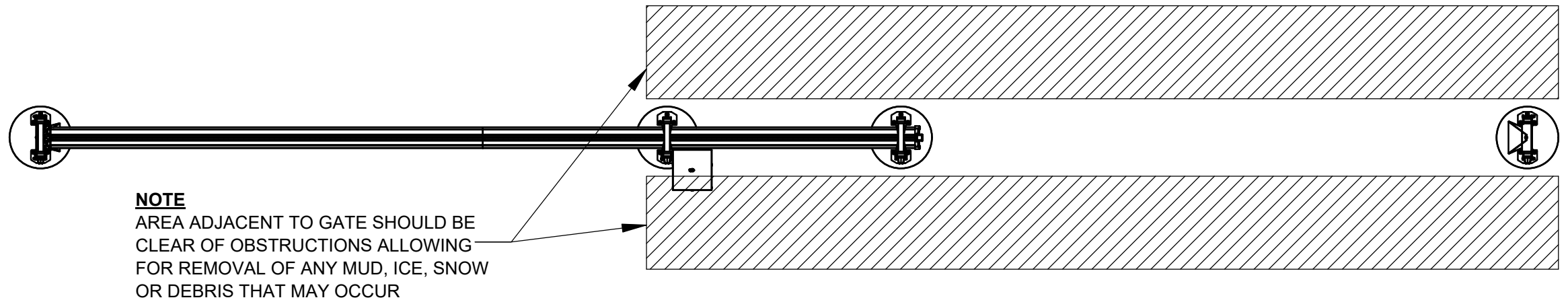
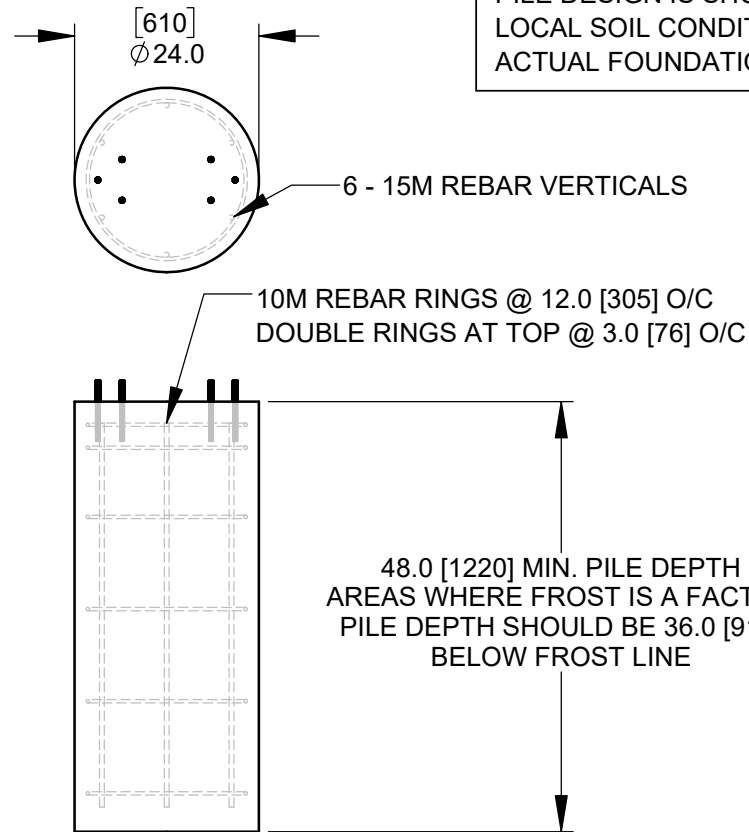


115 Lawson Crescent  
 Winnipeg, Manitoba, Canada, R3P 1A6  
 Phone: 1-866-300-1110  
 Fax: 1-204-284-1868  
 Web: www.wallaceperimetersecurity.com

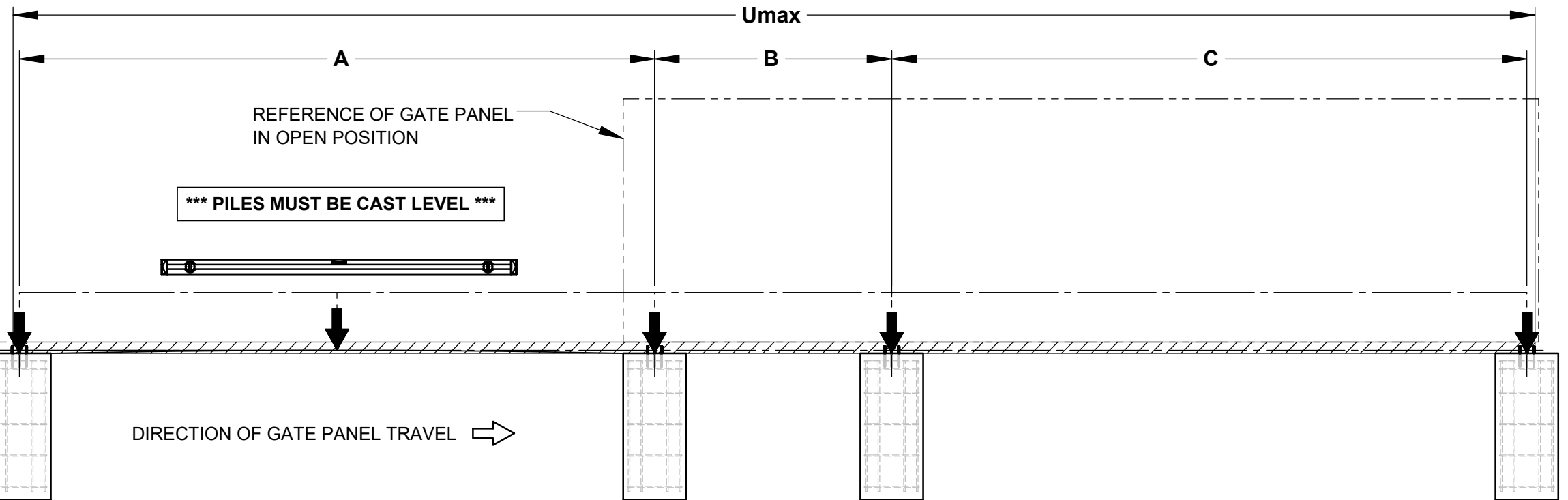
Description: <b>DELTA CANTILEVER SLIDE GATE</b> GENERIC SITE LAYOUT / CONDUIT REQUIREMENTS	
Customer:	
Finish:	Date: 7/17/2024
Drawing No. <b>DELTA-02-22-24</b>	Rev. Sheet: 2 of 6

**DETAIL 3A - GENERIC PILE DETAIL**

**NOTE**  
 PILE DESIGN IS SHOWN AS A RECOMMENDED PILE TYPE ONLY.  
 LOCAL SOIL CONDITIONS AND TEMPERATURES WILL DICTATE  
 ACTUAL FOUNDATION DESIGN. MINIMUM PILE DEPTH 48.0 [1219]



**NOTE**  
 AREA ADJACENT TO GATE SHOULD BE  
 CLEAR OF OBSTRUCTIONS ALLOWING  
 FOR REMOVAL OF ANY MUD, ICE, SNOW  
 OR DEBRIS THAT MAY OCCUR



**\*\*\* IMPORTANT NOTE \*\*\***

5.0 [130] MEASURED FROM TOP OF PILE  
 AREA ALONG GATE TRAVEL MUST BE  
 CLEAR OF OBSTRUCTIONS TO ALLOW  
 FOR PROPER OPERATION OF GATE.  
 GROUND SHOULD BE RESILIENT ENOUGH  
 TO ALLOW FOR CLEARING OF MUD, ICE,  
 SNOW OR DEBRIS BUILD UP.

CAST PILES 1.2 [30] BELOW  
 HIGHEST ELEVATION ALONG  
 GATE PANEL TRAVEL

[610]  
 Ø 24.0

SEE **DETAIL 3A** FOR GENERIC  
 PILE DETAIL

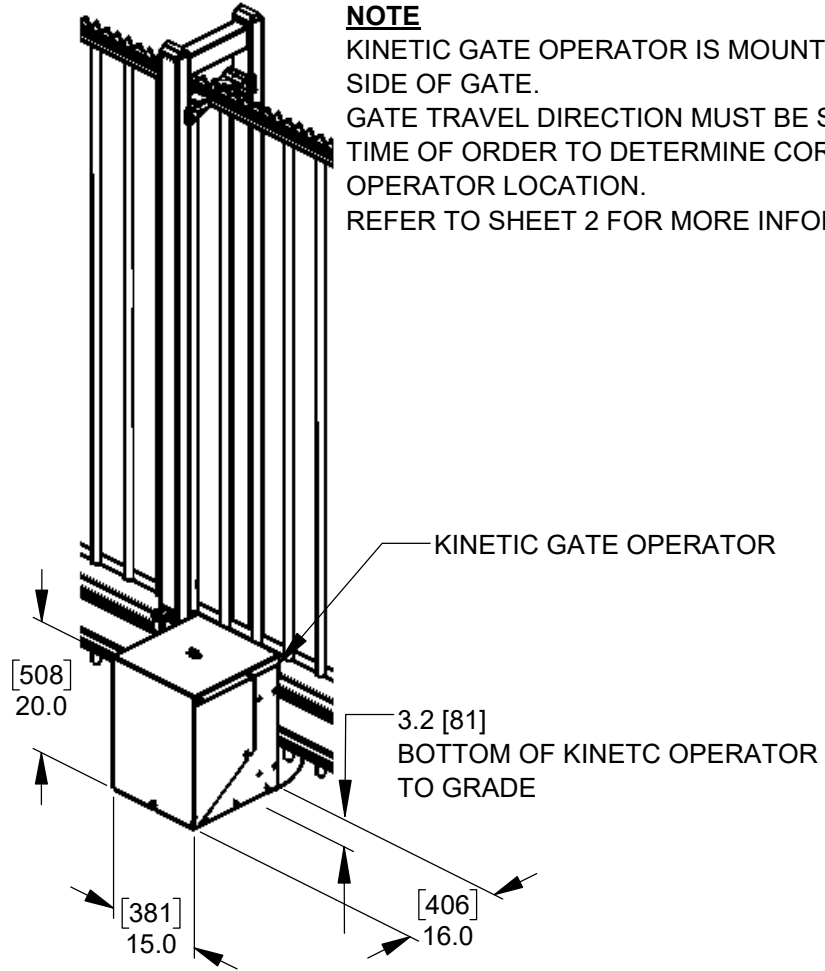
Description:		<b>DELTA CANTILEVER SLIDE GATE FOUNDATION INSTALLATION NOTES</b>	
Customer:			
Finish:		Date:	7/17/2024
Drawing No.	<b>DELTA-02-22-24</b>	Rev.	Sheet: 3 of 6

115 Lowson Crescent  
 Winnipeg, Manitoba, Canada, R3P 1A6  
 Phone: 1-866-300-1110  
 Fax: 1-204-284-1868  
 Web: www.wallaceperimetersecurity.com

**DETAIL 4A - KINETIC GATE OPERATOR**

**NOTE**

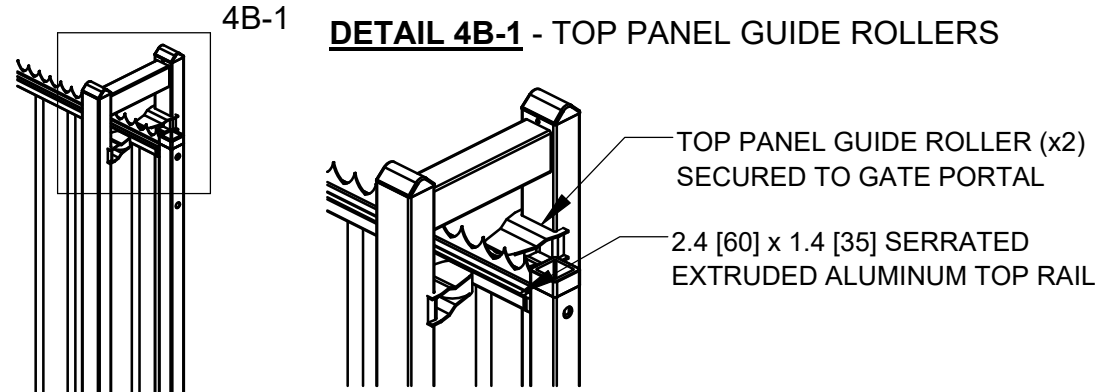
KINETIC GATE OPERATOR IS MOUNTED ON SECURE SIDE OF GATE.  
GATE TRAVEL DIRECTION MUST BE SPECIFIED AT TIME OF ORDER TO DETERMINE CORRECT OPERATOR LOCATION.  
REFER TO SHEET 2 FOR MORE INFORMATION.



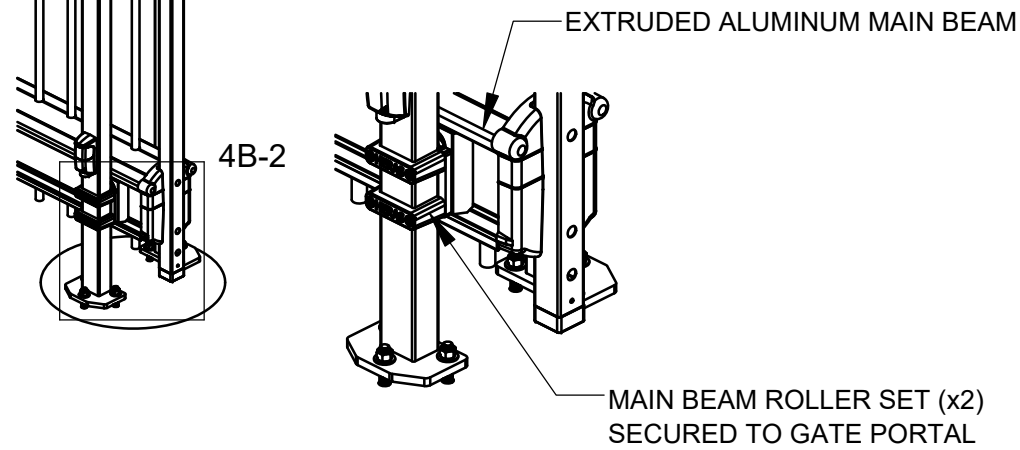
**DETAIL 4B - PANEL MAIN ROLLER / TOP GUIDE ROLLER DETAILS**

**4B-1**

**DETAIL 4B-1 - TOP PANEL GUIDE ROLLERS**

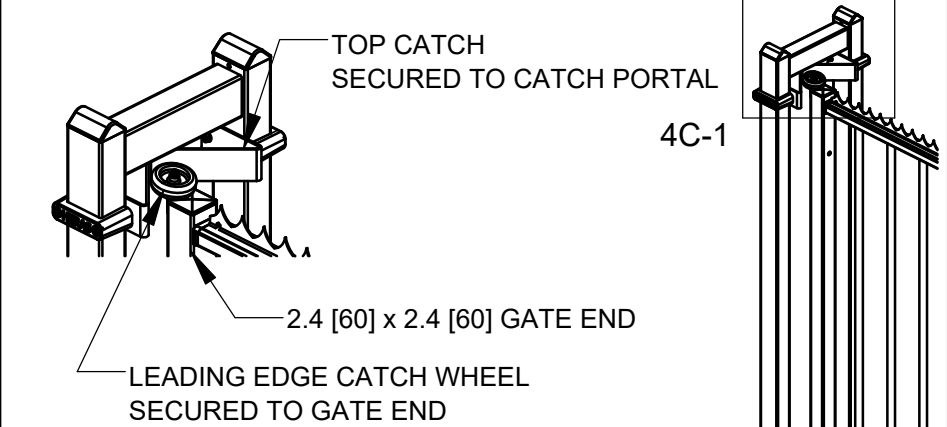


**DETAIL 4B-2 - MAIN BEAM ROLLER**

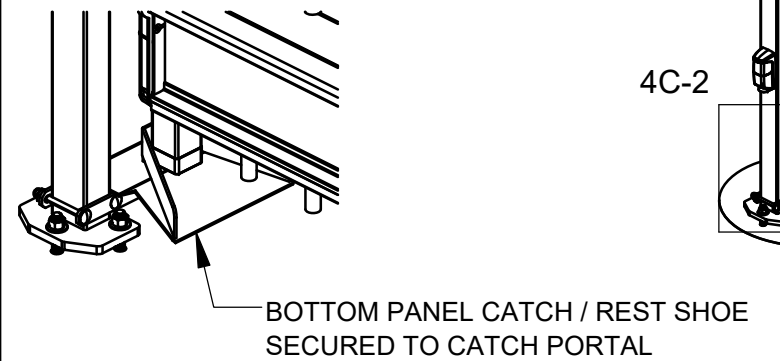


**DETAIL 4C - PANEL CATCH PORTAL**

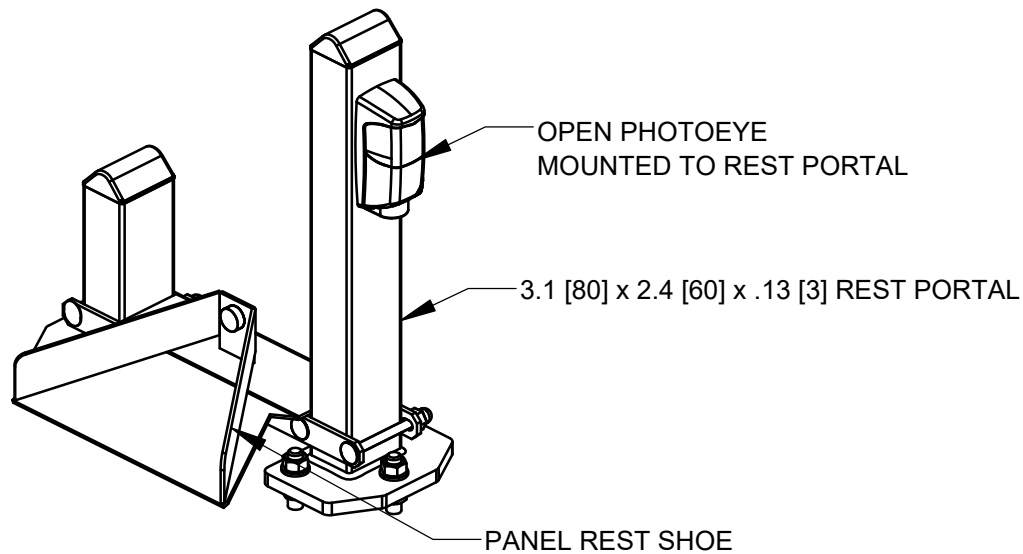
**DETAIL 4C-1 - LEADING EDGE CATCH WHEEL**



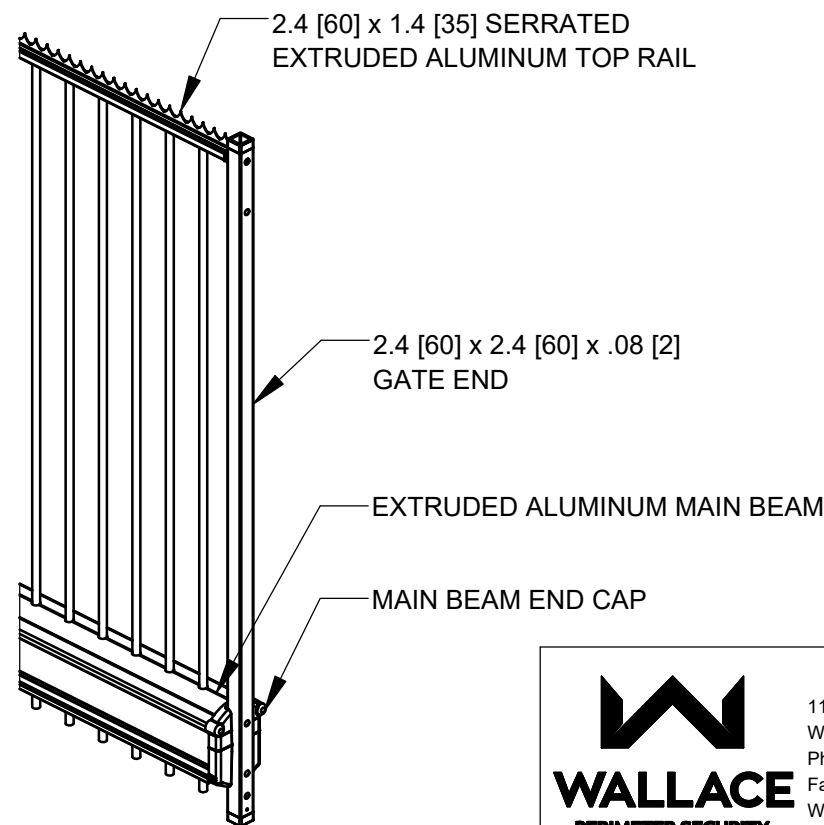
**DETAIL 4C-2 - PANEL CATCH / REST SHOE**



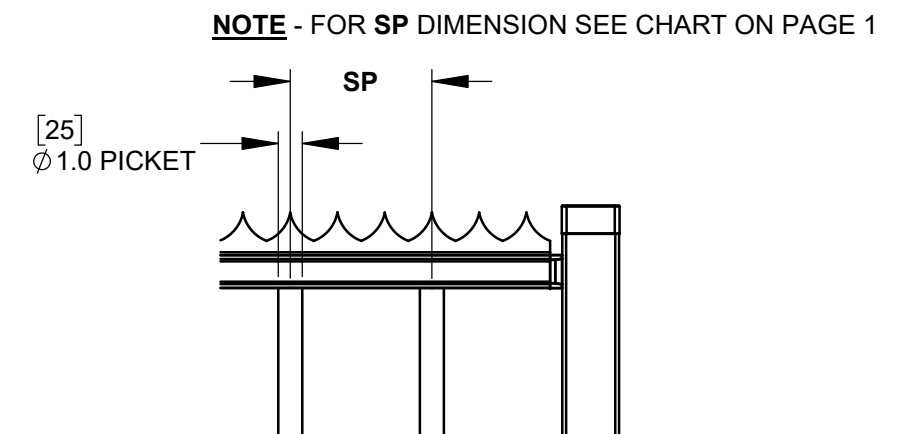
**DETAIL 4D - GATE REST PORTAL**



**DETAIL 4E - PANEL / PICKET DETAILS**



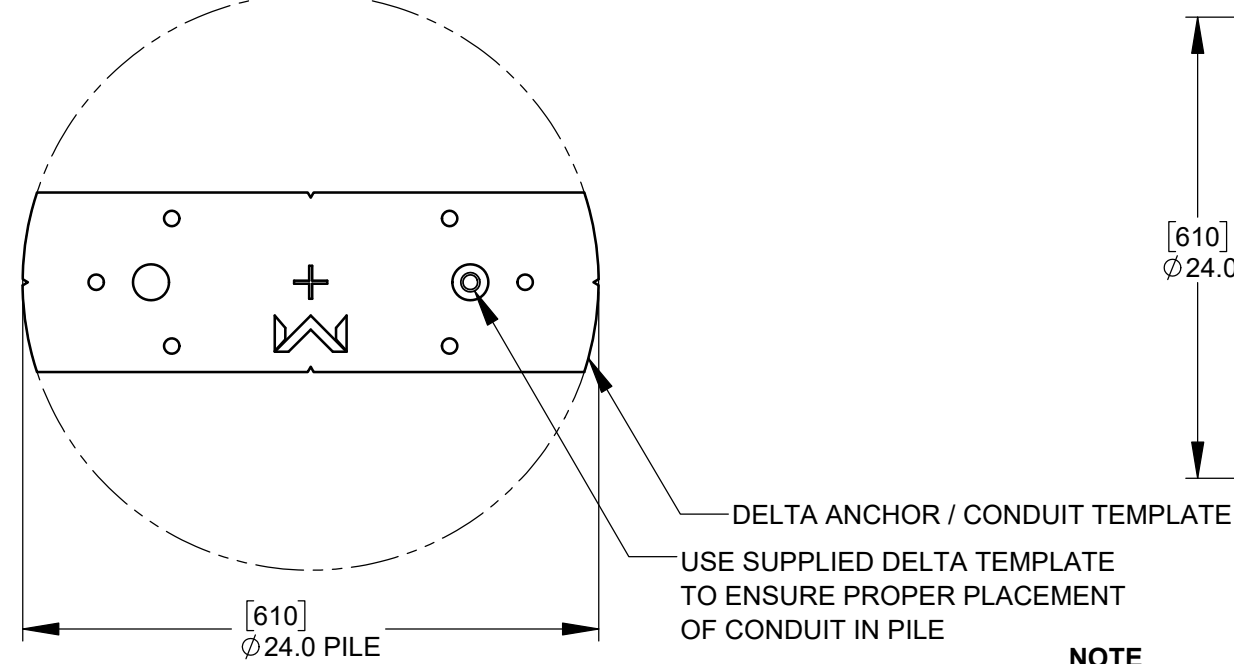
**DETAIL 4E-1 - PICKETS**



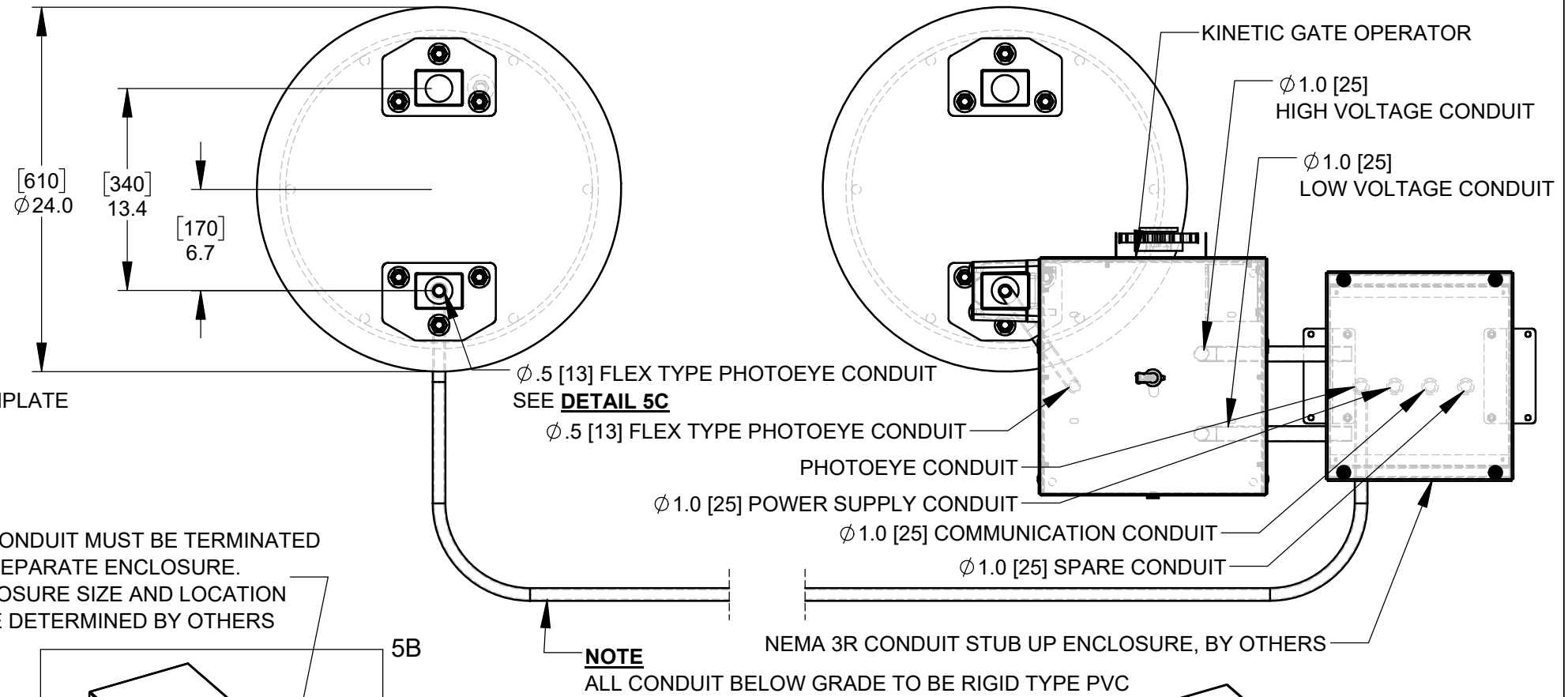
115 Lowson Crescent  
Winnipeg, Manitoba, Canada, R3P 1A6  
Phone: 1-866-300-1110  
Fax: 1-204-284-1868  
Web: www.wallaceperimetersecurity.com

Description:		<b>DELTA CANTILEVER SLIDE GATE DETAILS</b>	
Customer:			
Finish:		Date:	7/17/2024
Drawing No.	DELTA-02-22-24	Rev.	Sheet: 4 of 6

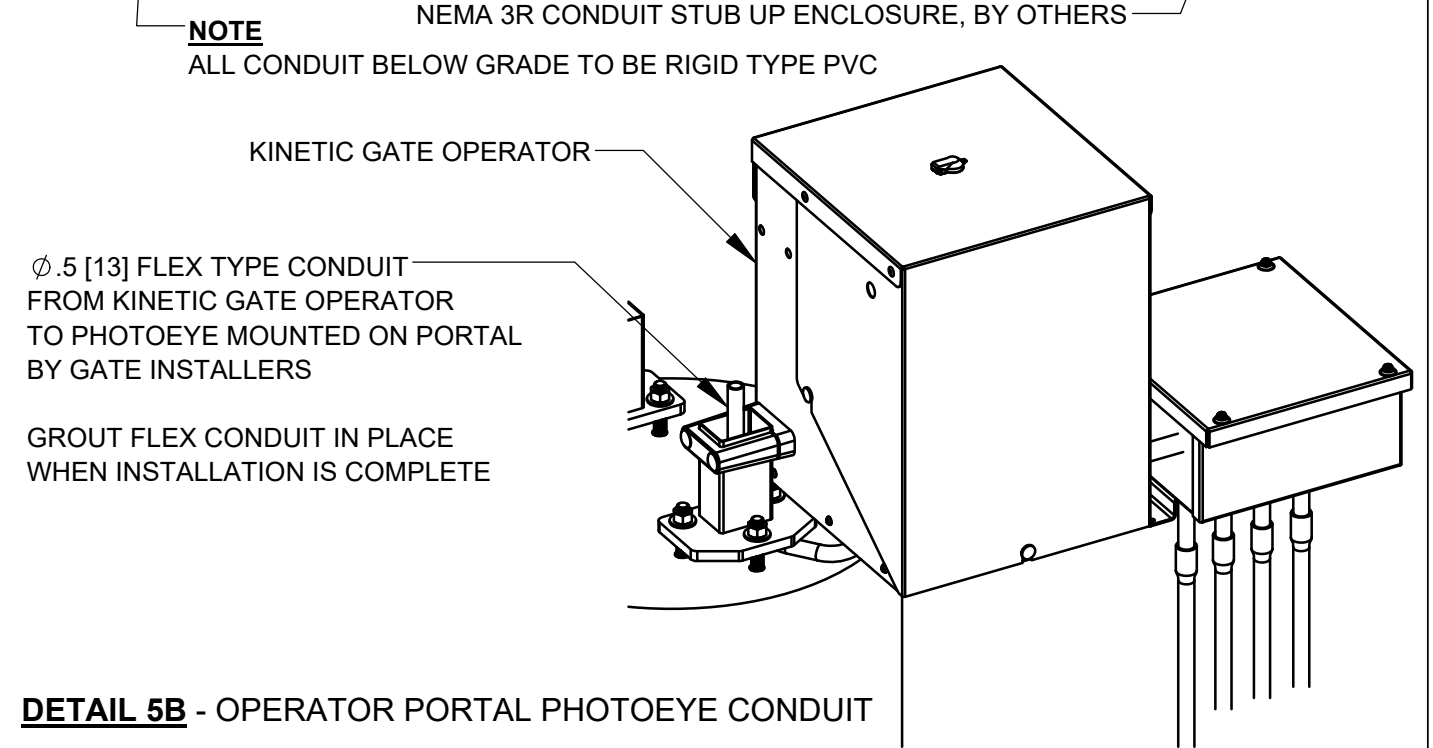
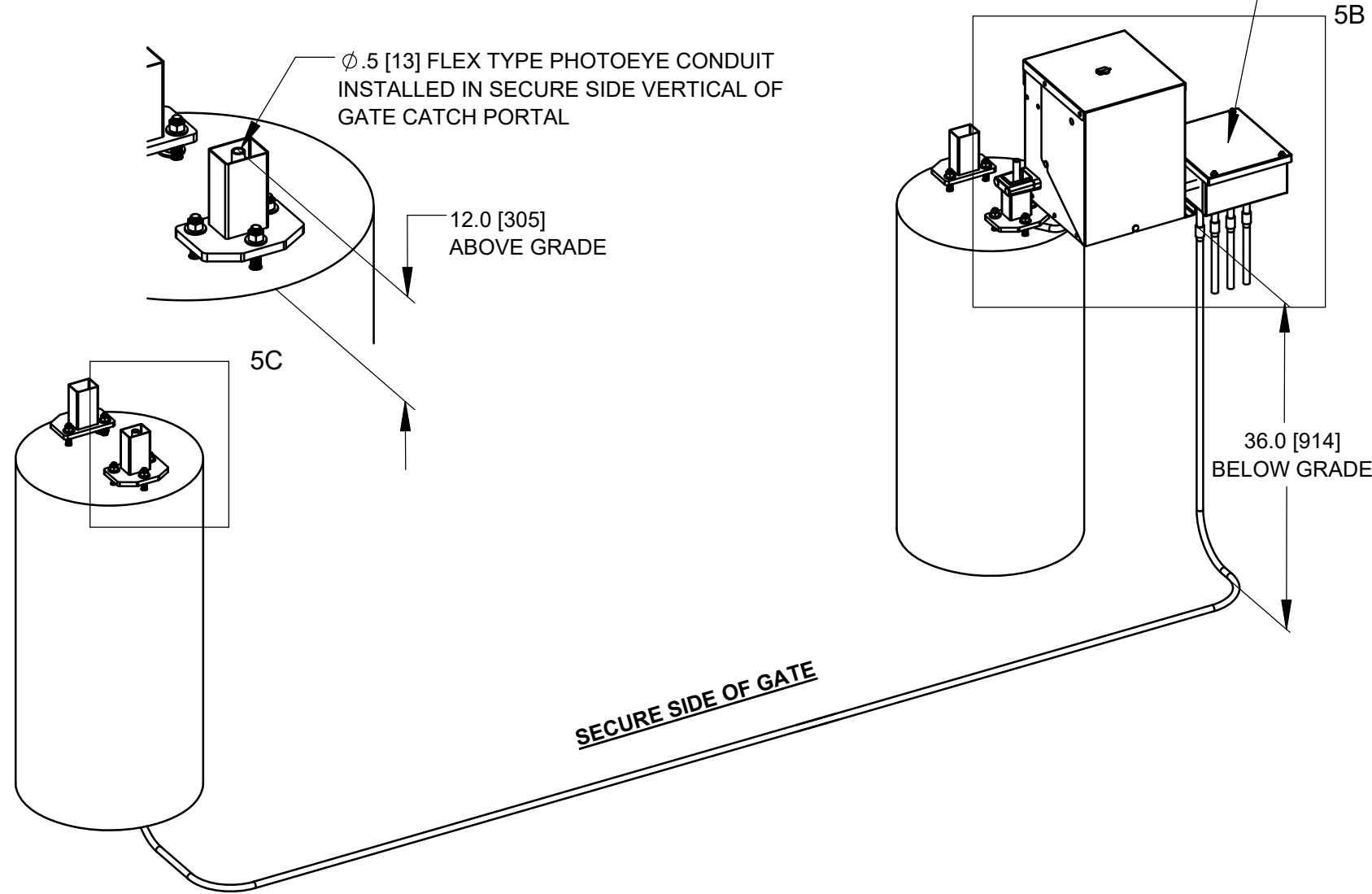
**DETAIL 5D - DELTA ANCHOR / CONDUIT TEMPLATE**



**DETAIL 5A - GENERIC CONDUIT REQUIREMENT DETAIL**



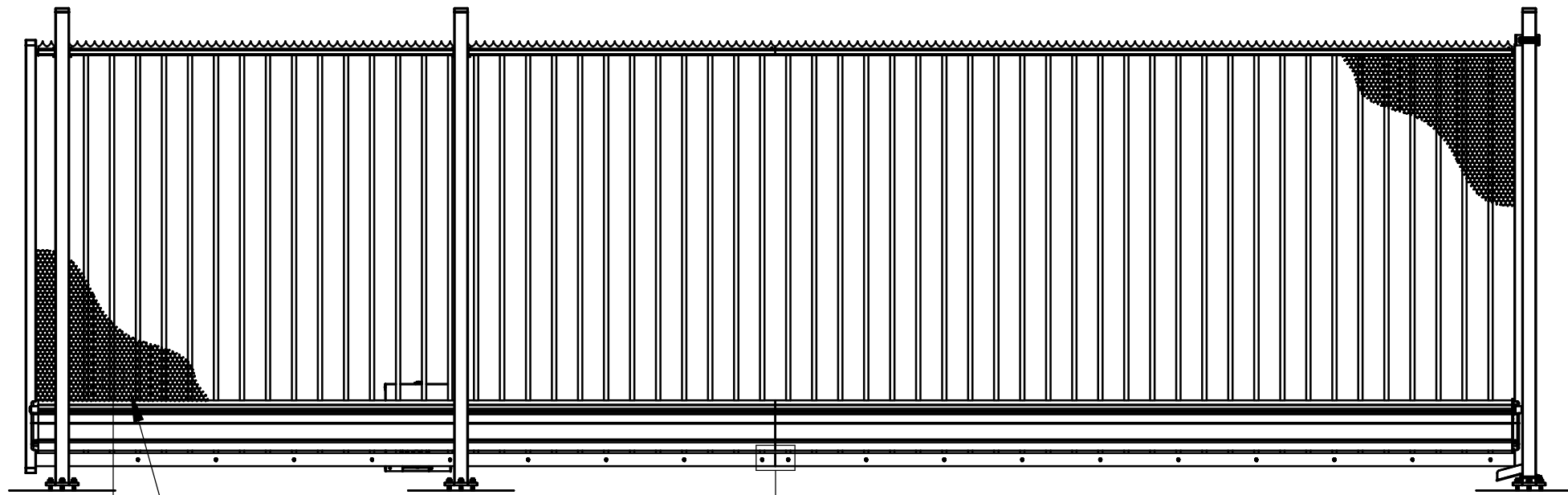
**DETAIL 5C - CATCH PORTAL PHOTOEYE CONDUIT**



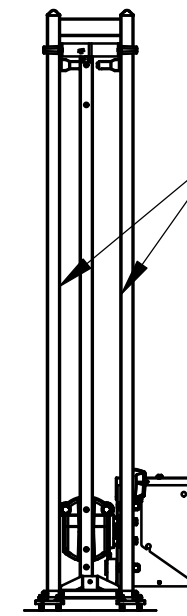
**DETAIL 5B - OPERATOR PORTAL PHOTOEYE CONDUIT**

Description:		<b>DELTA CANTILEVER SLIDE GATE CONDUIT DETAILS</b>	
Customer:			
Finish:		Date:	7/17/2024
Drawing No.	<b>DELTA-02-22-24</b>	Rev.	
		Sheet:	5 of 6


**WALLACE**  
 PERIMETER SECURITY  
 115 Lowson Crescent  
 Winnipeg, Manitoba, Canada, R3P 1A6  
 Phone: 1-866-300-1110  
 Fax: 1-204-284-1868  
 Web: www.wallaceperimetersecurity.com

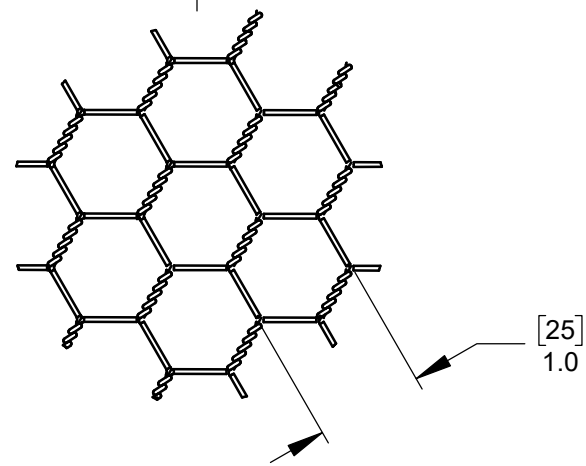


20ga REVERSE TWIST PVC BLACK HEX NETTING  
SECURED TO PICKETS AND END MESH RETAINERS  
WITH 9ga FENCE TIES



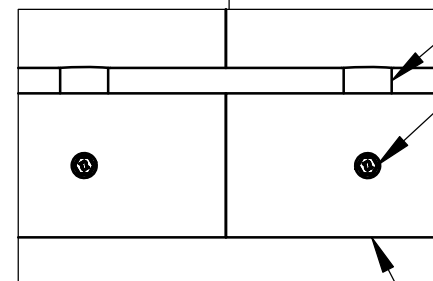
REACH THRU GUARDS ARE  
SECURED TO INSIDE FACES  
OF PORTAL WITH # 8 x .5 [13]  
SELF-TAPPING SCREWS

**DETAIL UL3 - PORTAL REACH THRU GUARDS**



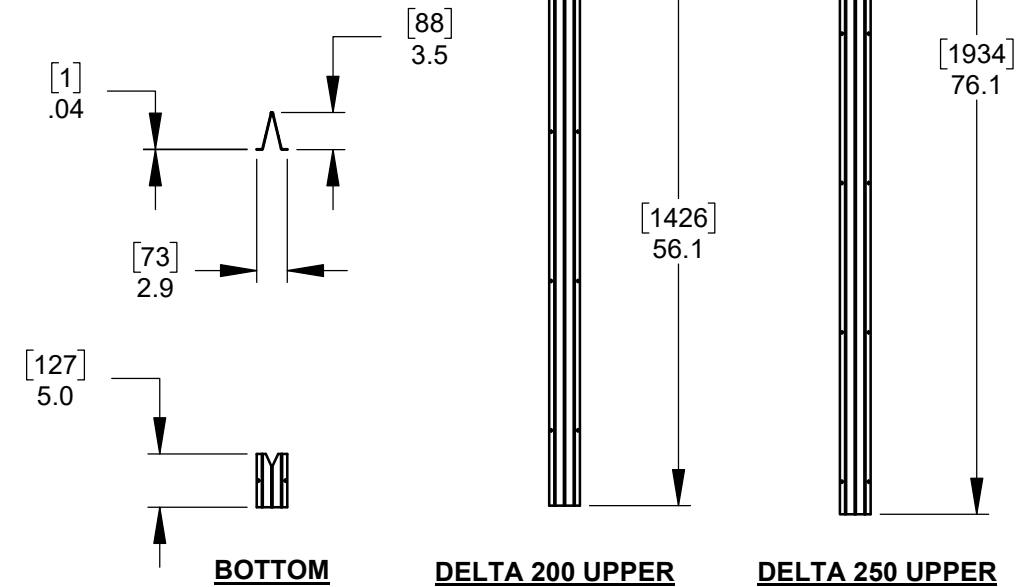
[25]  
1.0

**DETAIL UL2 - 20ga. [1.0 [25] REVERSE TWIST HEX NETTING**



Ø 1.0 [25] DELTA PICKET  
1/4" [6] SELF-TAPPING SCREW  
@17.7 [450] O/C  
3.0 [76] x .13 [3] ALUMINUM FLAT BAR  
BOTTOM PICKET GUARD

**DETAIL UL1 - 3.0 [76] x .13 [3] BOTTOM PICKET GUARD**



Description: <b>DELTA CANTILEVER SLIDE GATE UL325 KIT INSTALLATION DETAILS</b>		
Customer:		
Finish:	Date: 7/17/2024	
Drawing No. <b>DELTA-02-22-24</b>	Rev. <b>A</b>	Sheet: 6 of 6


**WALLACE**  
 PERIMETER SECURITY

115 Lawson Crescent  
 Winnipeg, Manitoba, Canada, R3P 1A6  
 Phone: 1-866-300-1110  
 Fax: 1-204-284-1868  
 Web: www.wallaceperimetersecurity.com