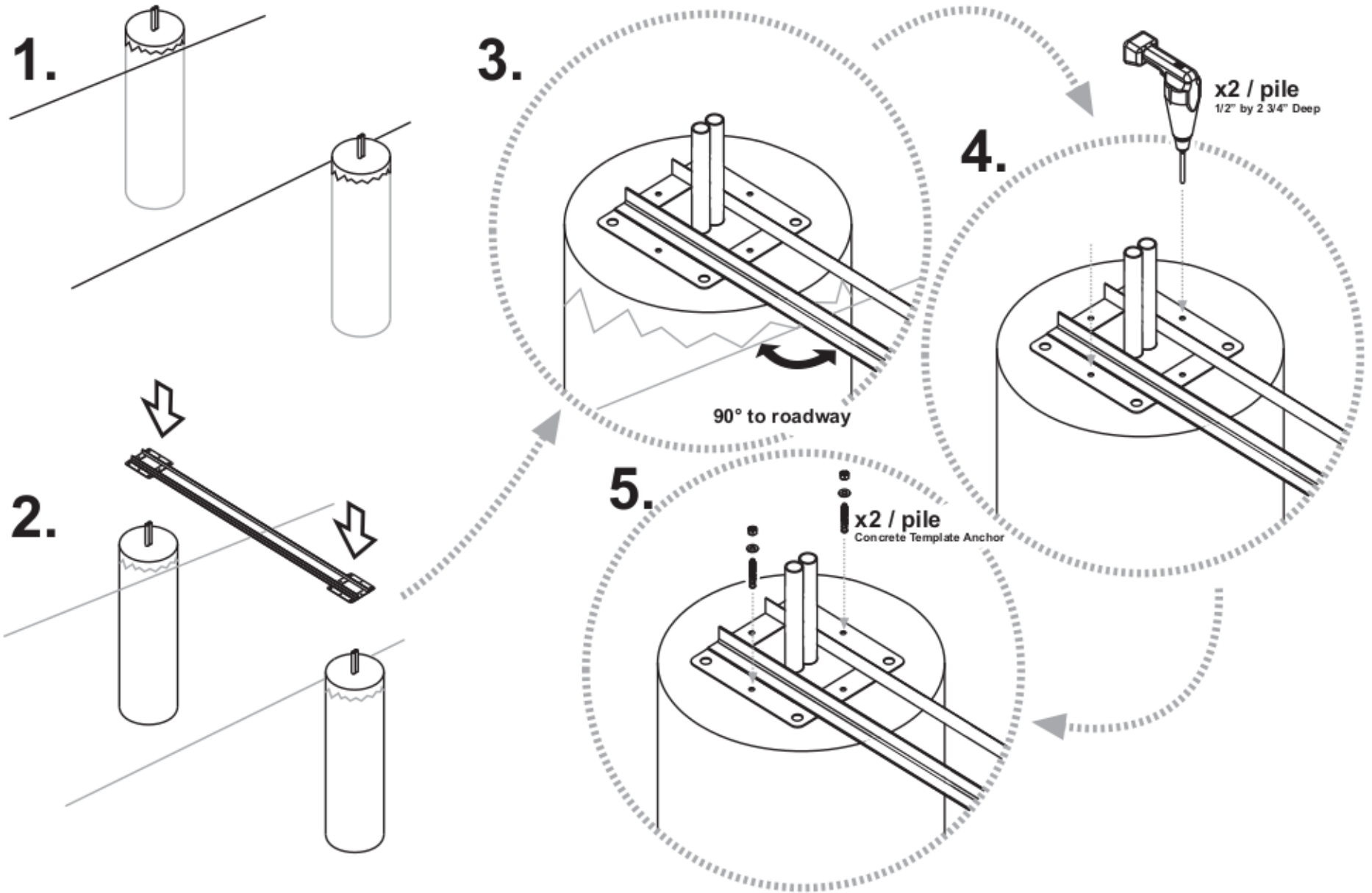
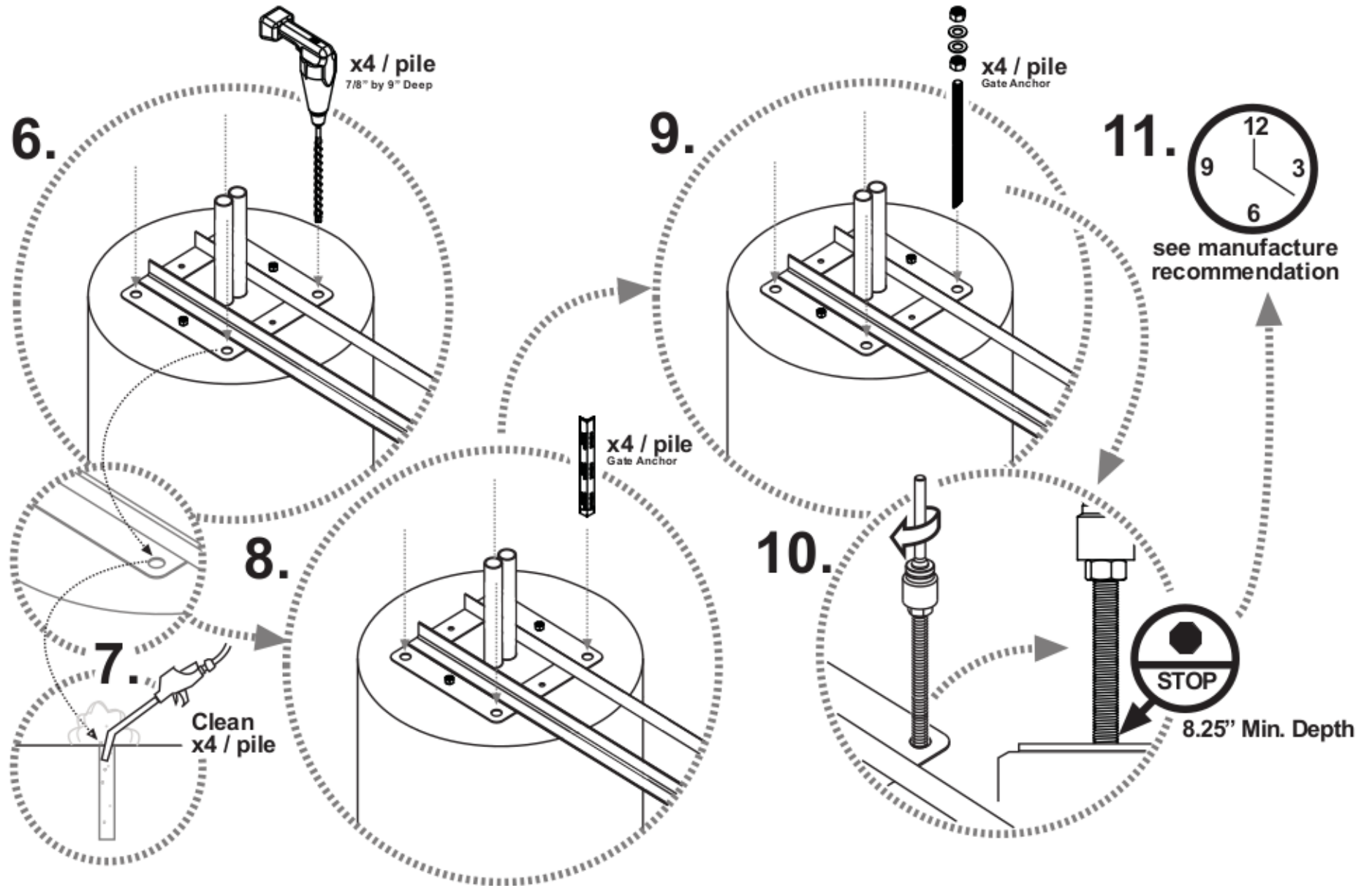
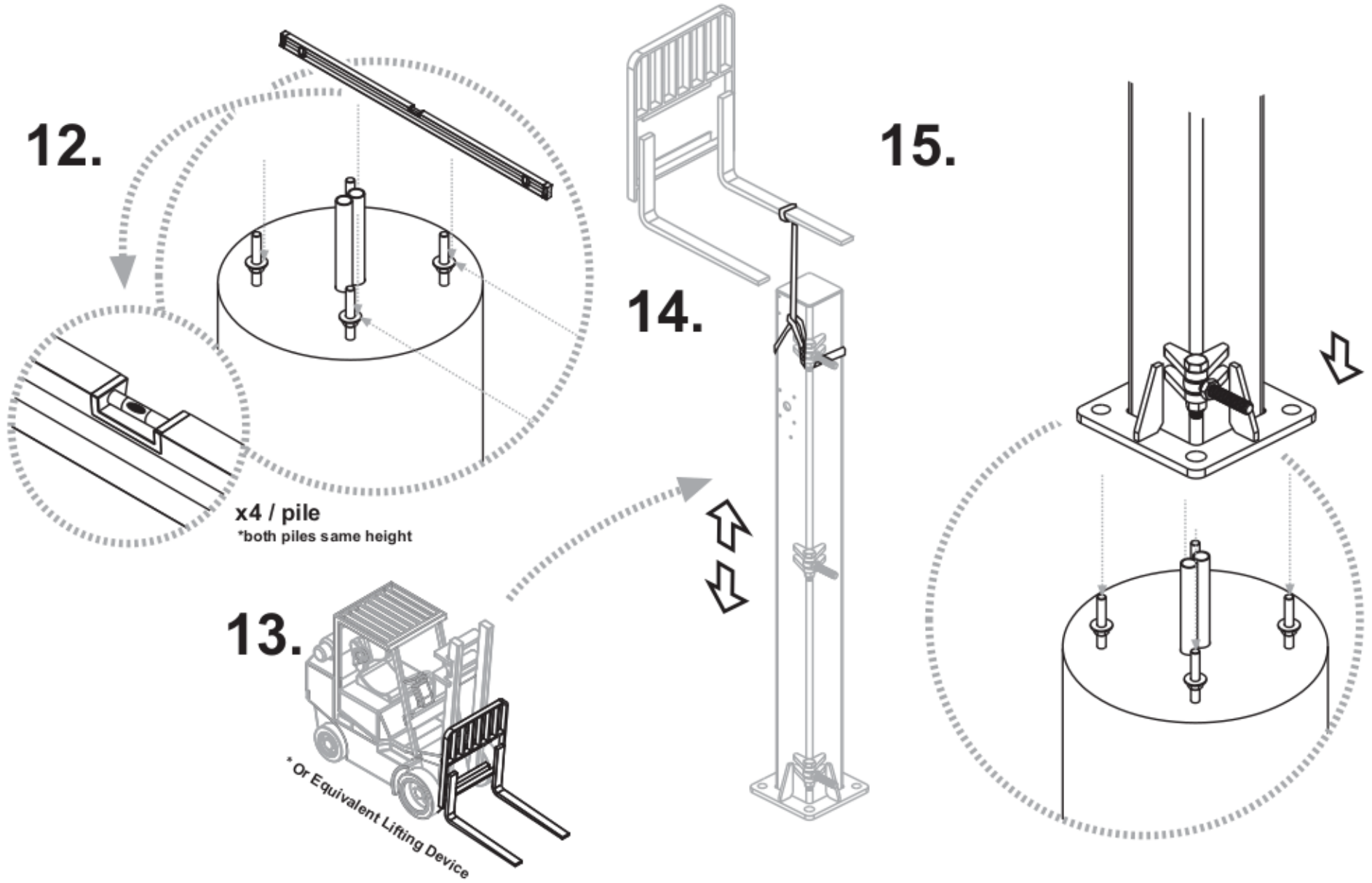
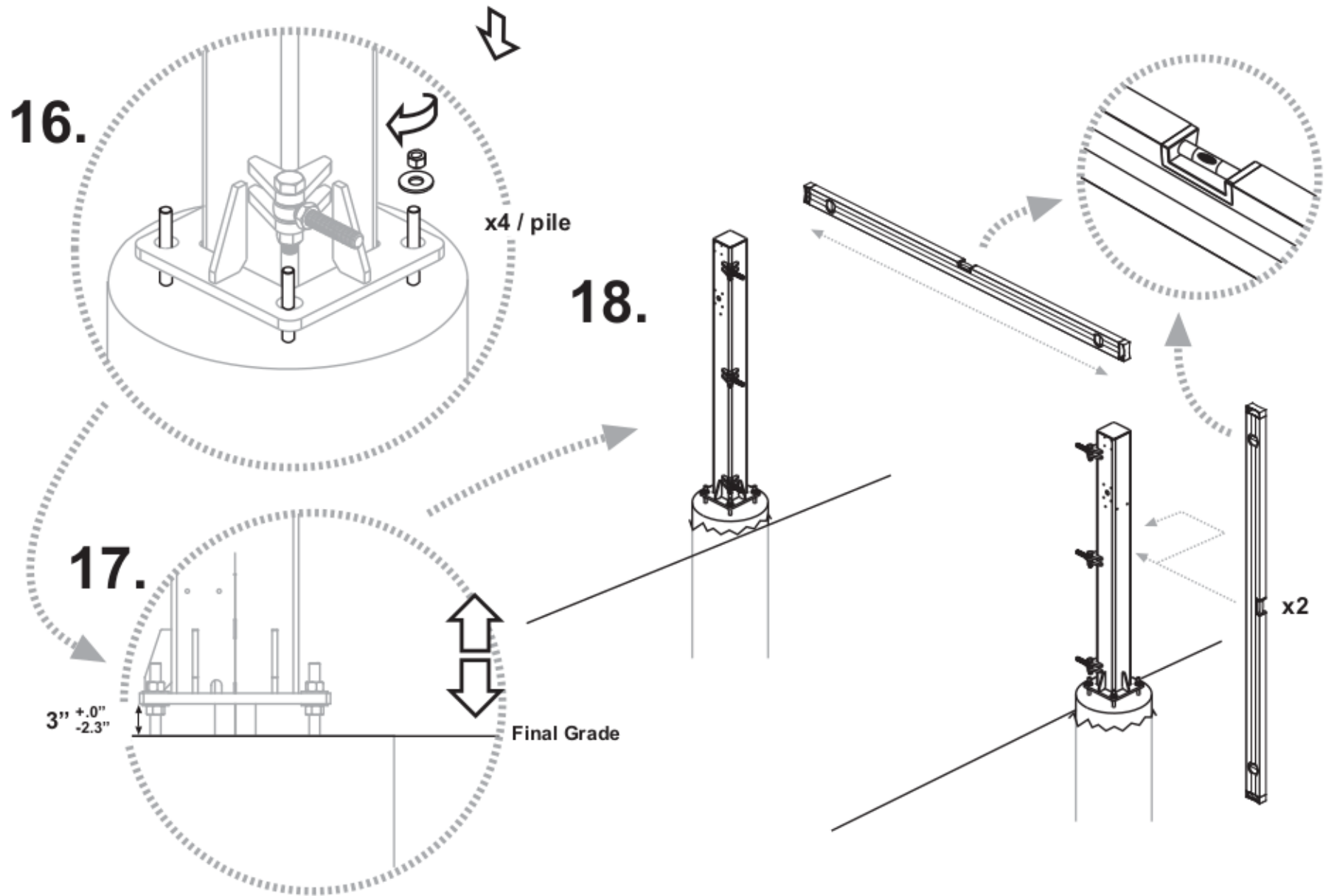


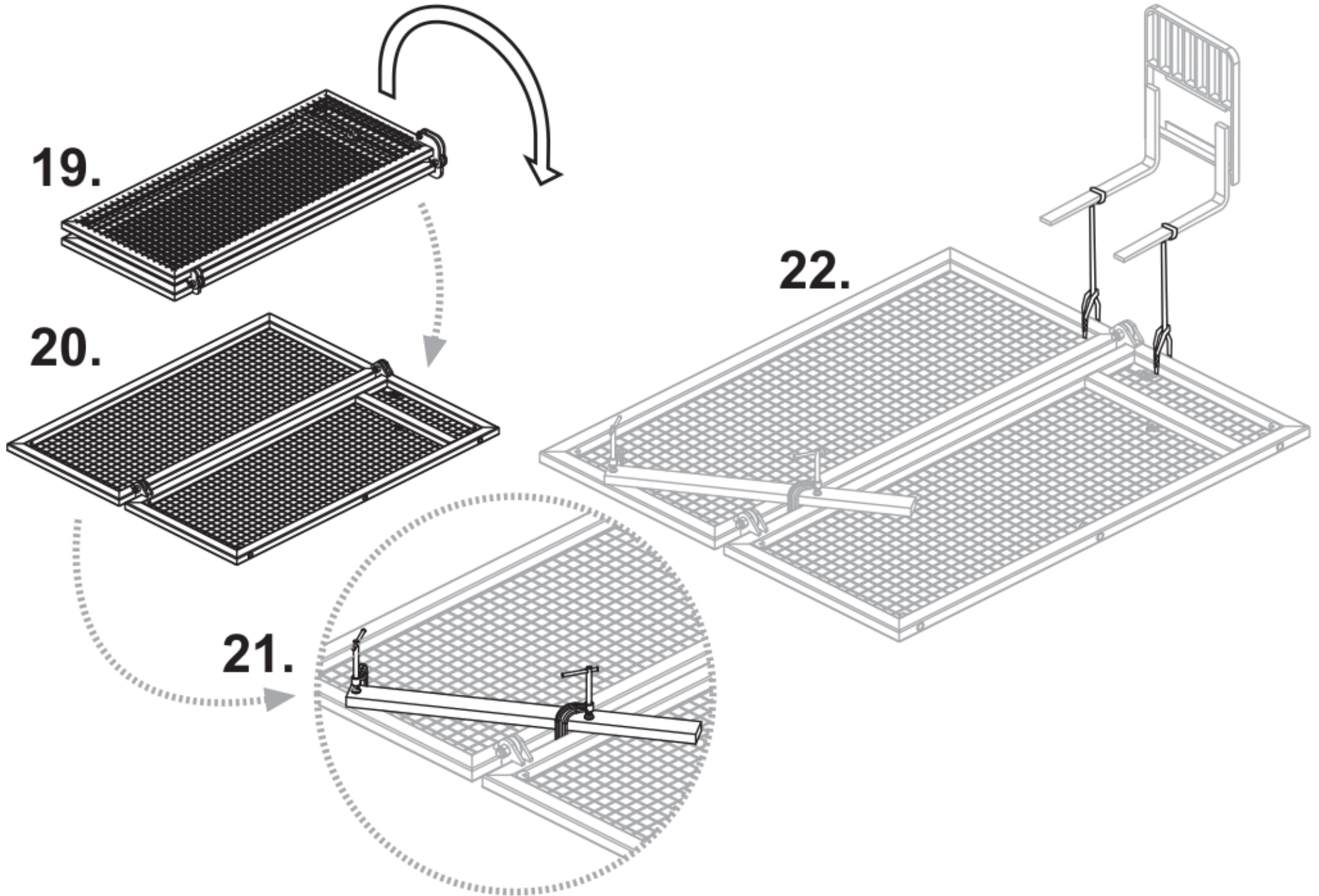
# FoldSmart XT Installation Guide

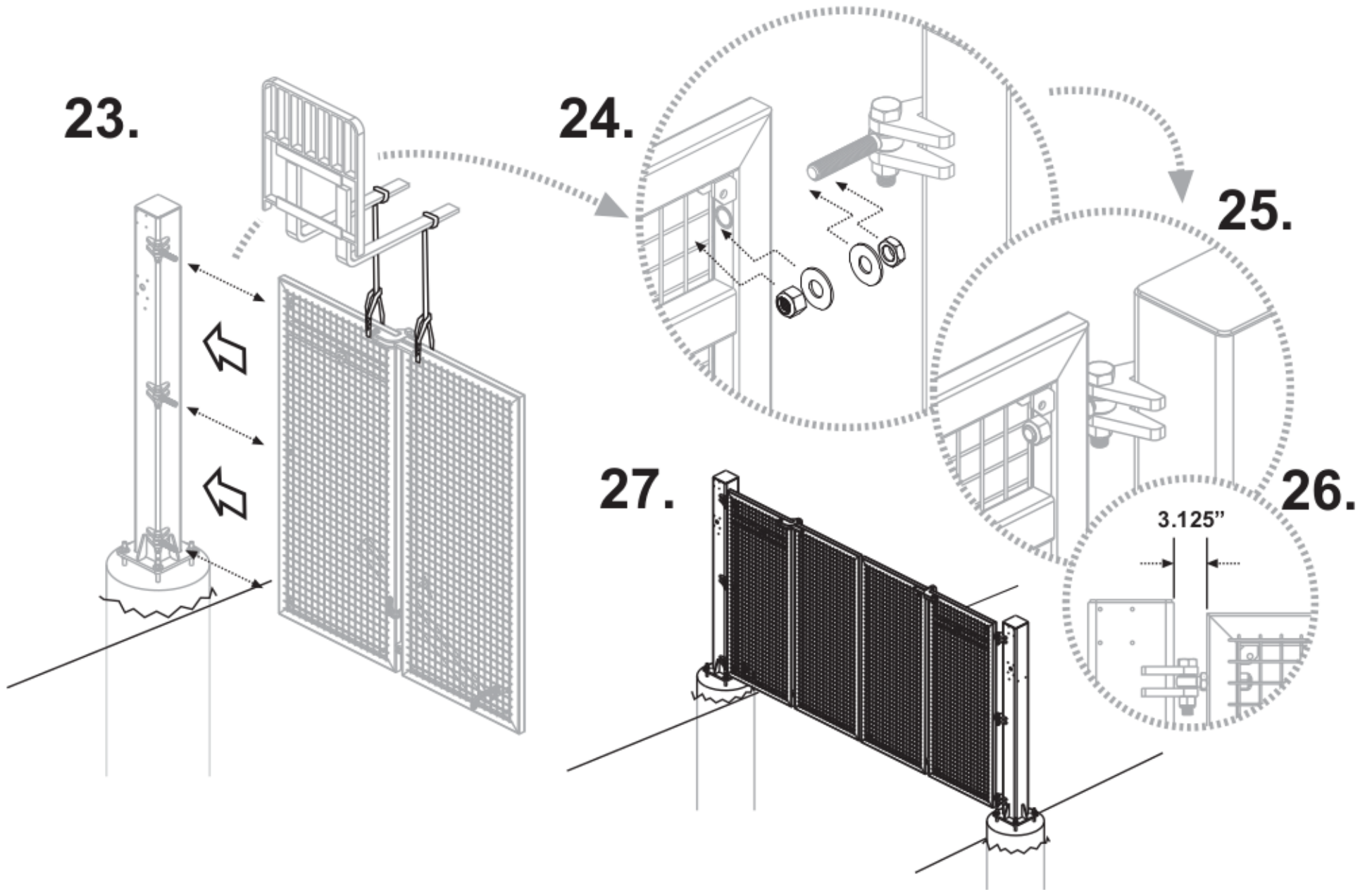


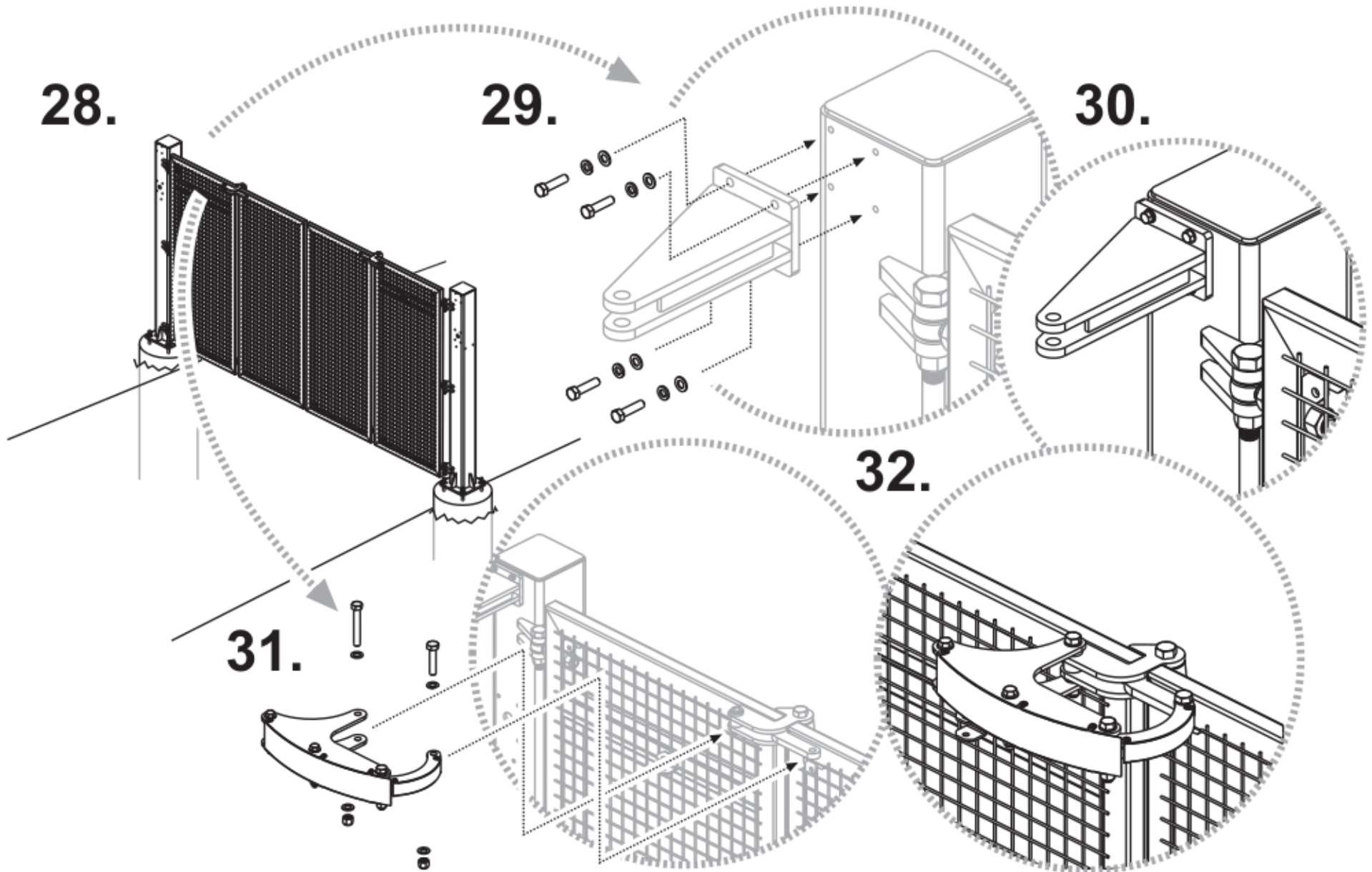




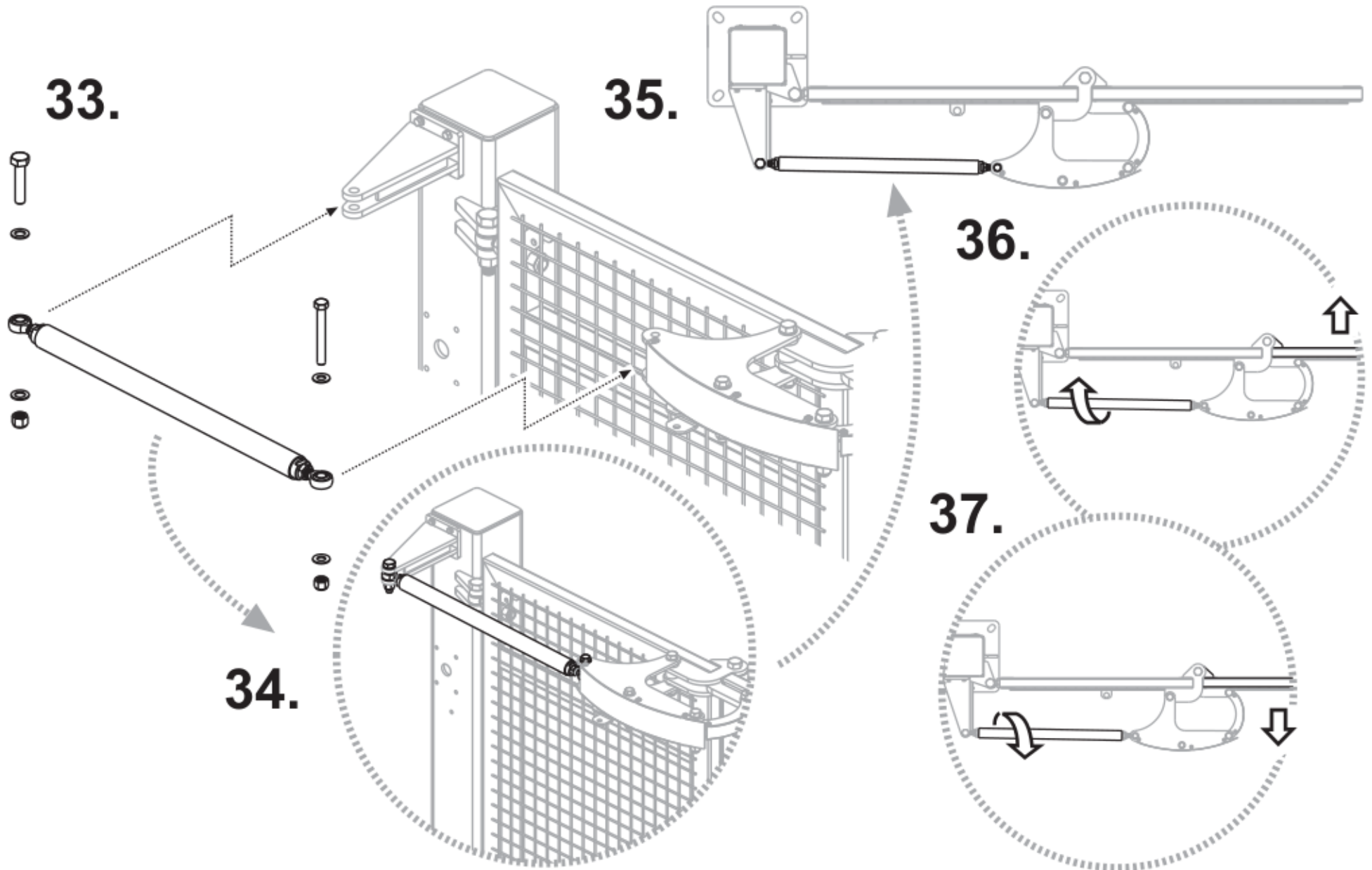




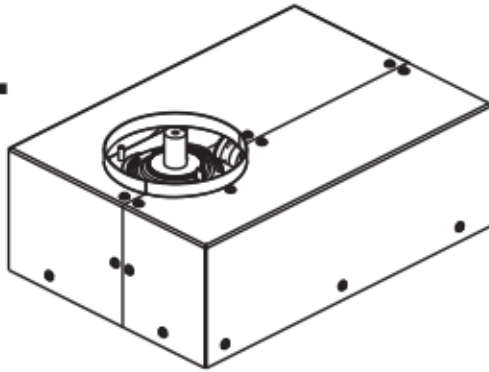




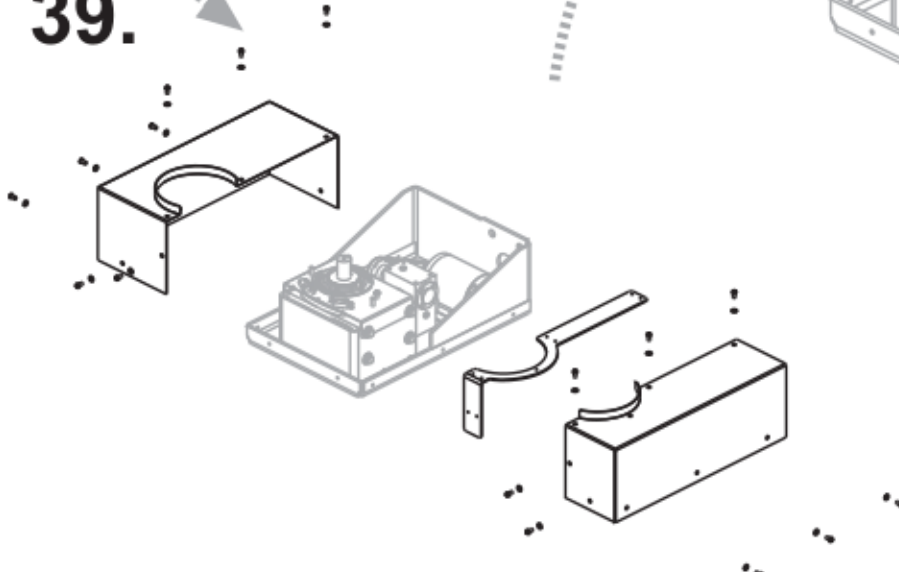




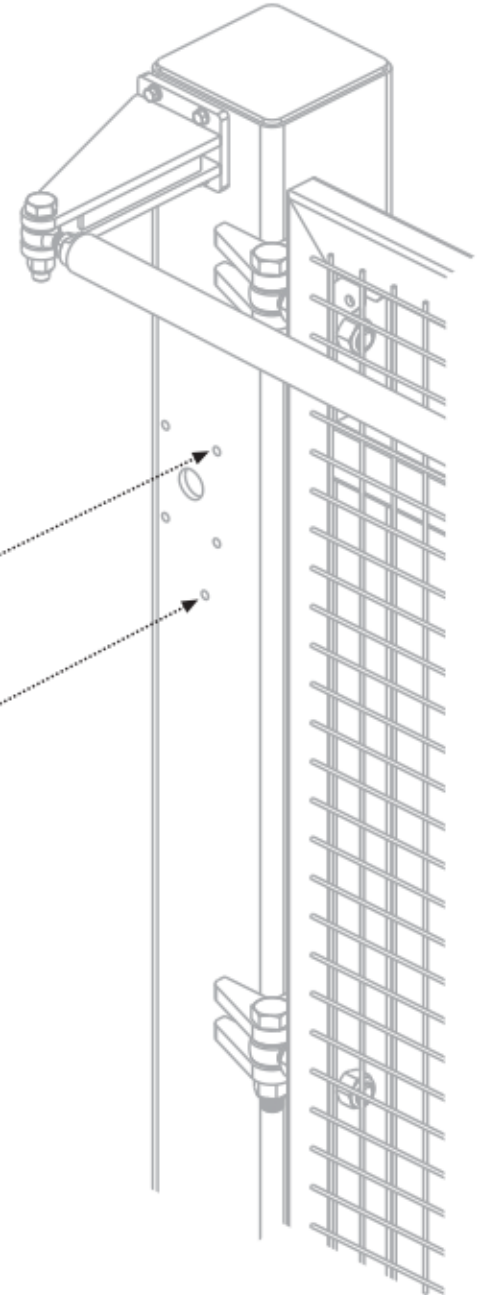
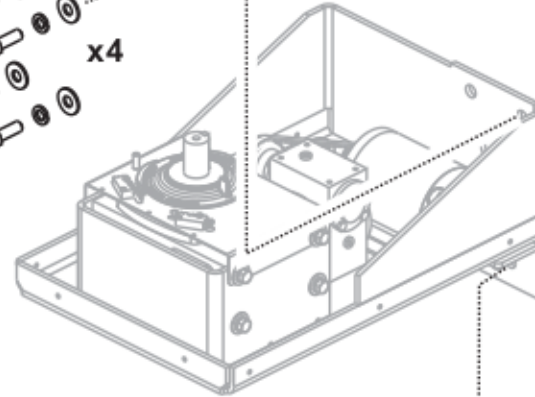
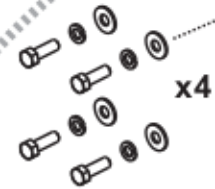
**38.**

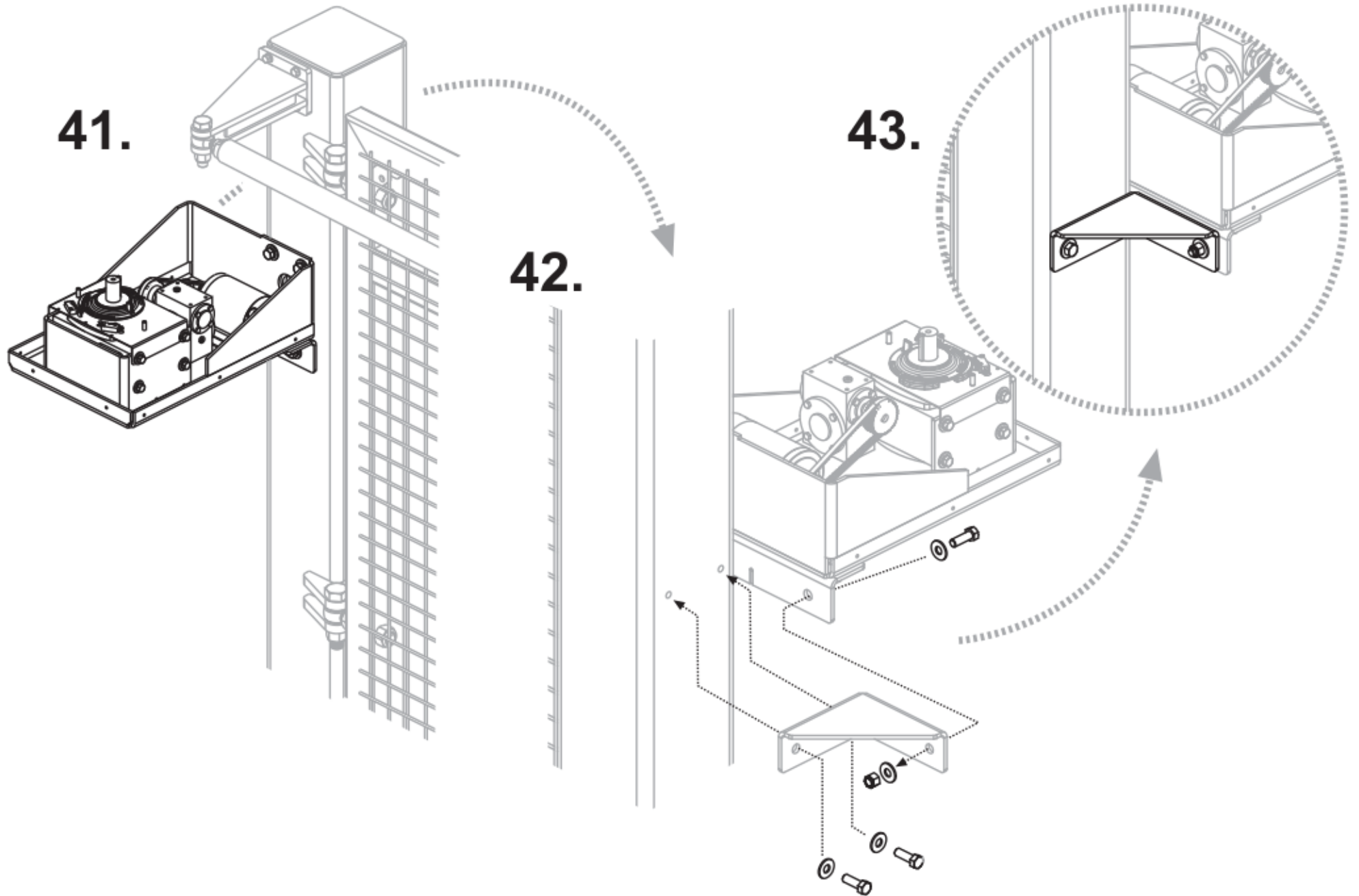


**39.**

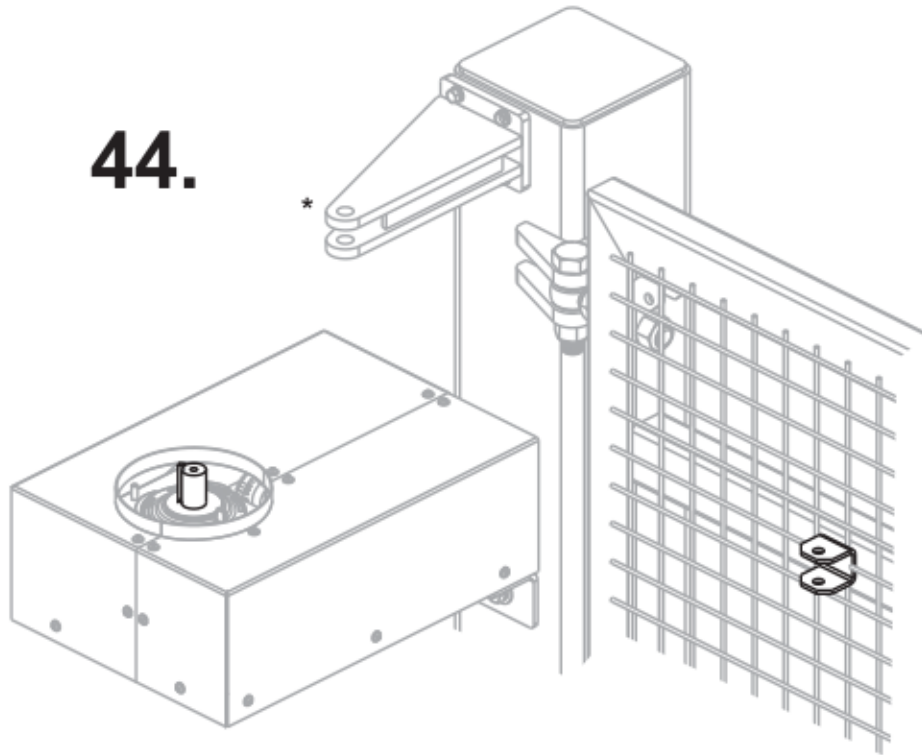


**40.**

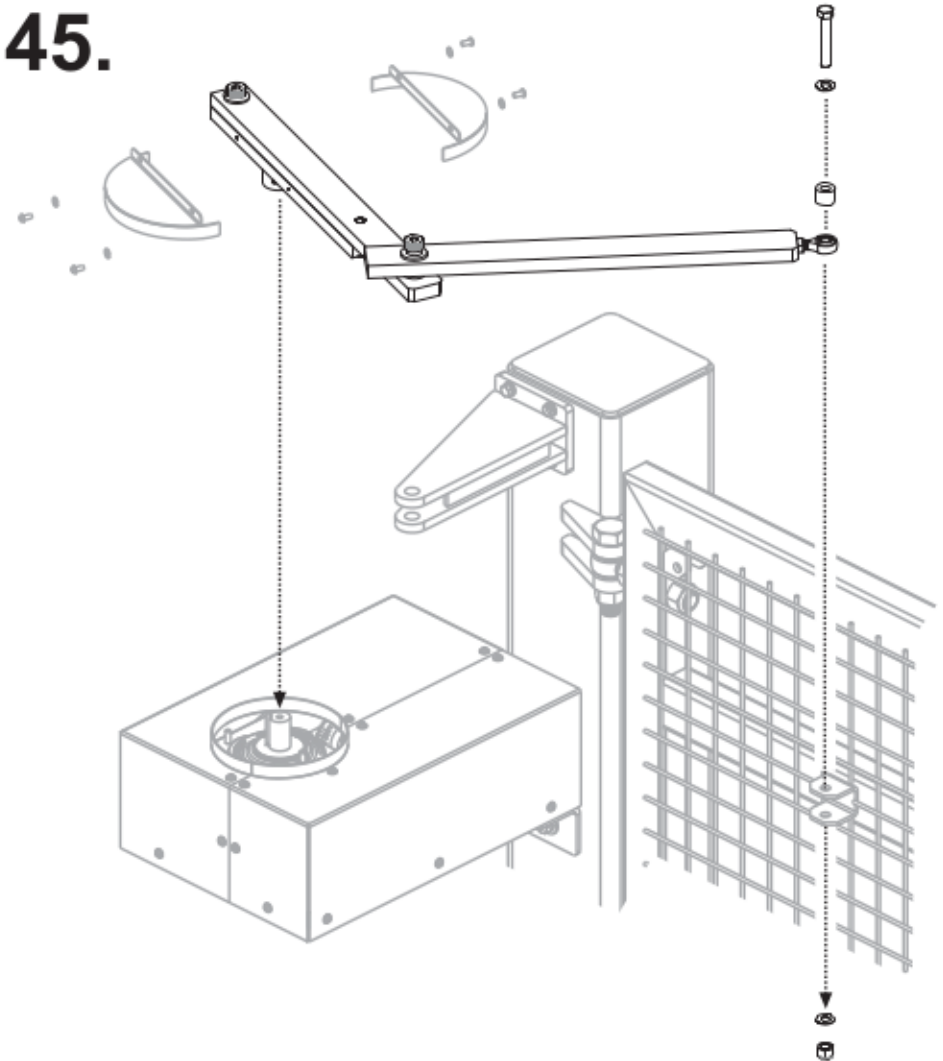




**44.**



**45.**



**\*Drive Rod has been removed for clarity.**

