

SpeedGate PDXT Installation Guide

REVISION 1 - NOVEMBER 2023

Tools Required

Tool Description	Used For
Anchor Installation:	
SDS - MAX Hammer Drill	Drilling Holes in Concrete
Hilti 1 1/8" Masonry Drill Bit for SDS – MAX (Hilti Product #340709) or equivalent	Concrete Anchors (hole depth of 9" required)
Hilti 3/4" Drive adaptor for SDS – MAX (Hilti Product #32221) or equivalent	
Hilti 1 1/2" Socket SDS/TE-C chuck type (Hilti Product #65284) or equivalent	Driving Anchors into Epoxy
Combination Wrench 1 1/2"	For Leveling Nuts
Shop Vacuum 1" round steel brush, air pump (not bulb type)	Clean Out Anchor Holes in Concrete
Rotating Laser Level	Leveling Anchors
SpeedGate Installation:	
Telescopic boom forklift or equivalent with a reach capacity of at least 4' above gate structure	Lifting Gate/Parts
Scissor lift (preferred) OR Scaffolding with wheels	Working on Gate Structure
Eye-to-Eye Sling with Vertical Lift Capacity of 6400lbs – 1 piece (16' to 20')	Lift Gate/Parts
Eye-to-Eye Sling with Vertical Lift Capacity of 2000lbs – 2 pieces (4' to 6')	Lift Gate/Parts
C-clamps or equivalent – 4 pieces (6" – 8")	Lifting Gate Panels
3/8" Ball Nose T-Handle Driver	Gate Hinges
Bubble/Spirit Level – 4' OR Larger	Leveling Gate Structure & Anchors
General SpeedGate Tools:	
Extension Cord 100' – 200'	As Jobsite Conditions Require
Angle Grinder	Cutting Concrete Anchors
3 – 4 lb Sledge/Ball Peen Hammer	Miscellaneous
Combination Wrenches 3/4", 1/2"	Gate Fasteners
Ratchet 1/2" drive with 3/4" Deep Socket OR 3/4" Socket with Extension	Gate Fasteners
Ratchet 3/8" or 1/4" drive with 1/2" & 7/16" Socket	Gate Fasteners
Allen key/Hex key Set	Gate Fasteners
Torque Wrench 1/2" drive with 1/2" hex head	Gate Fasteners
Plug Tap – 1/2" NC-13	Hinge Bolt Holes
Cutting Oil/Fluid & Cleaning Rags	Tapping
1/2" Cordless Drill with Robertson/Square, Phillips, 1/4" Bit Driver and 1/8" concrete drill bit	Gate Structure & Electrical
1/2" Corded Drill with 1/4", 3/8" and 1/2" Cobalt Drill Bits	Drilling through 1/4" Steel
1" Hole Saw	Drilling through 1/4" Steel
1/4" Multi-Drive Screwdriver	Gate Fasteners
Measuring tapes, wire cutters/strippers, utility knife, permanent marker, multi-meter	Miscellaneous
Pail/mixing wand/trowel, for grouting beneath flange mount plates	Gate Columns

Included



T-Handle Lock Key
(if applicable)



Paracentric Lock Key
(if applicable)

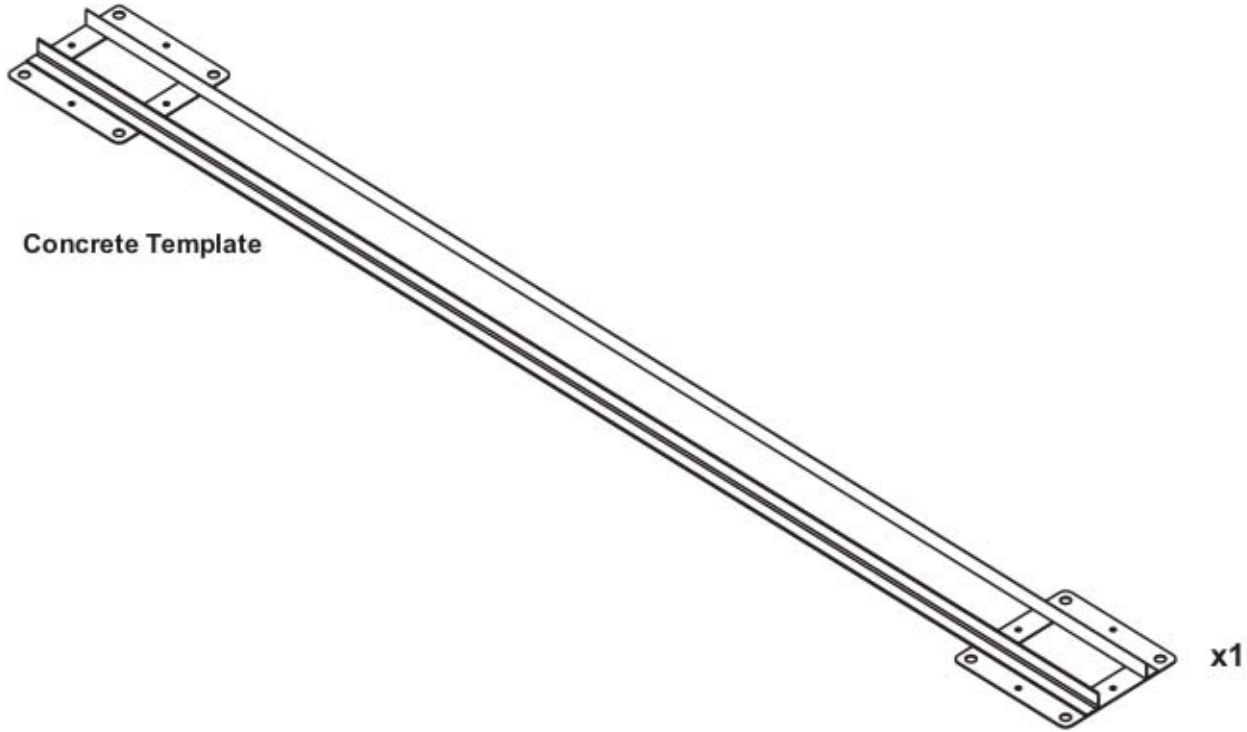


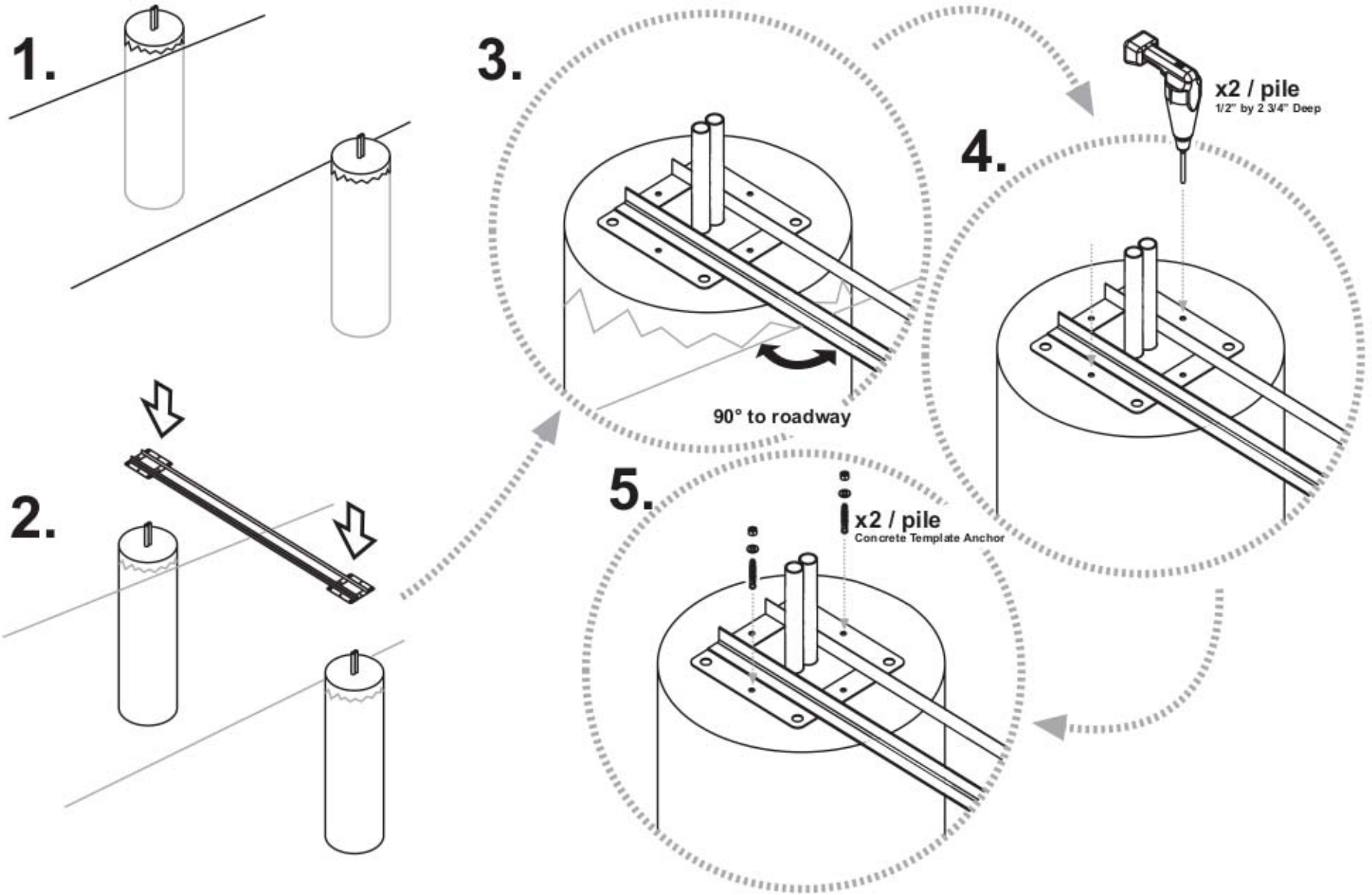
T-27 Security Driver Bit
(if applicable)

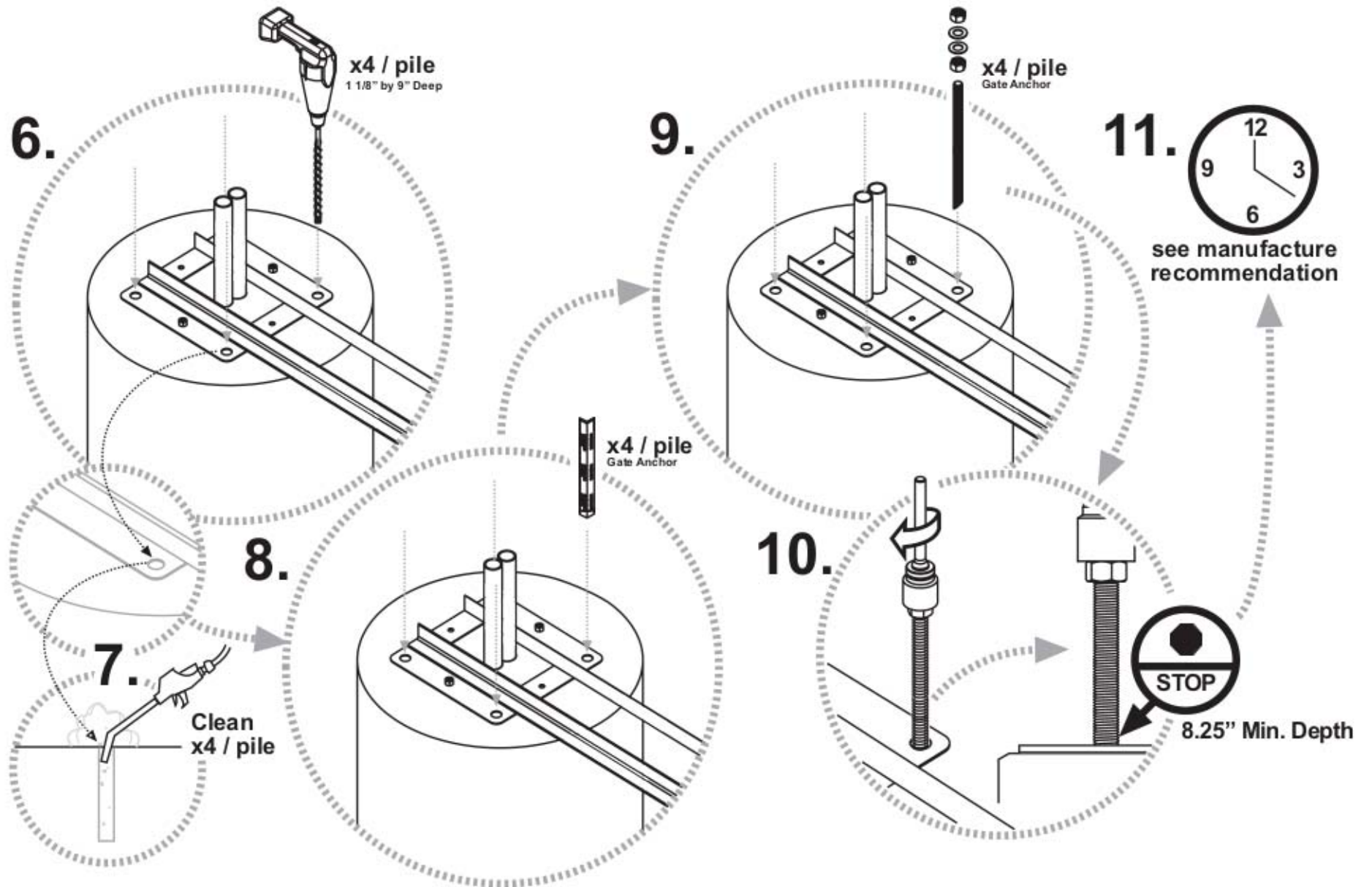
Fasteners

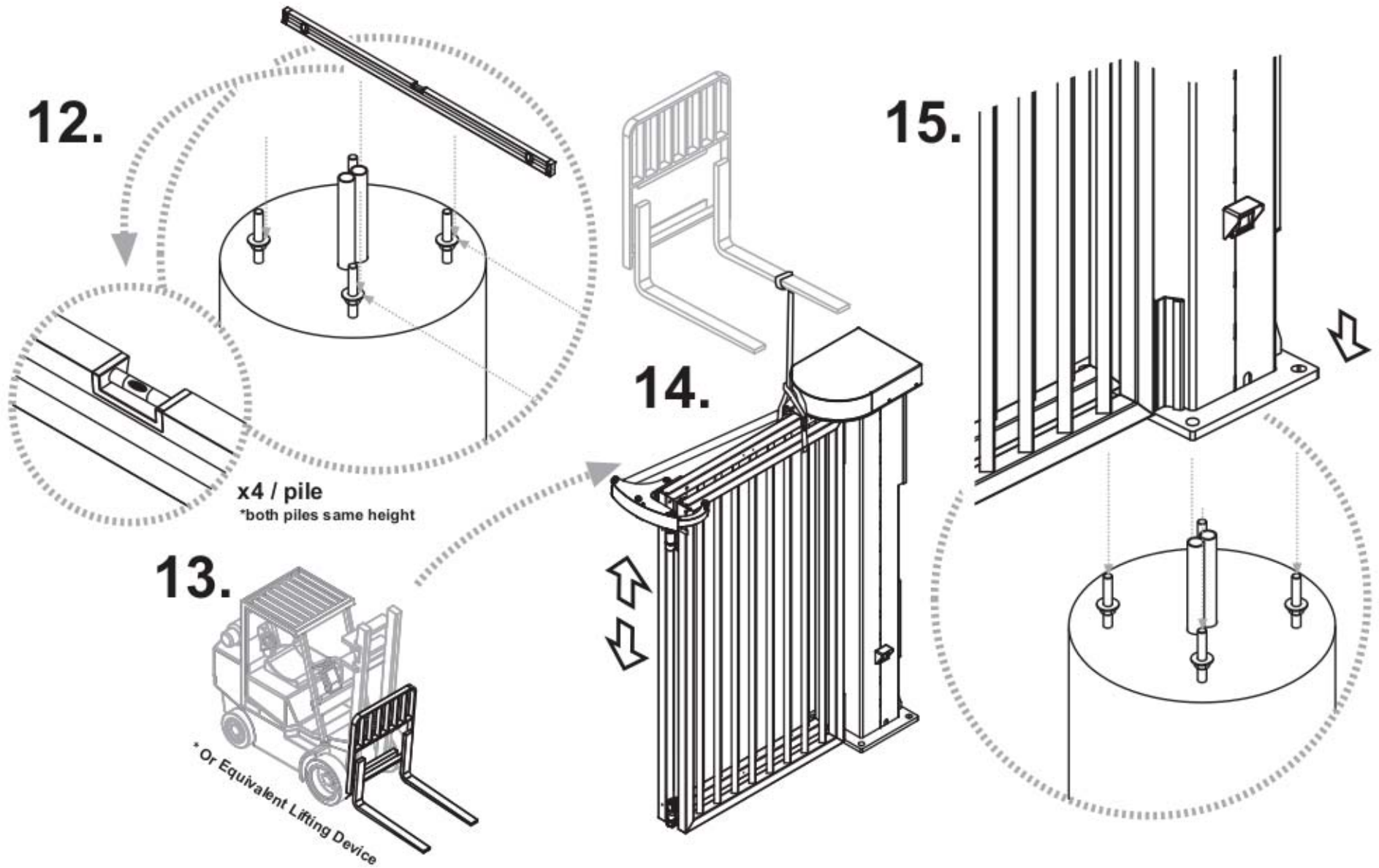
<p>x8 x8 x8 x8 x8</p>	<p>x4 x4 x4</p>	<p>x2/Hinge x2/Hinge</p>	<p>1/4" x 3/4" SS T27 1/4" SS Flat Washer 1/4" SS Nylock</p> <hr/> <p>Spare Security Fasteners <i>(if applicable)</i></p> <p>1/4" x 3/4" SS 1/4" SS Flat Washer 1/4" SS Nylock</p>
<p>Gate Anchor</p>	<p>Concrete Template</p>	<p>Hinge</p>	<p>Spare Regular Fasteners <i>(if applicable)</i></p>

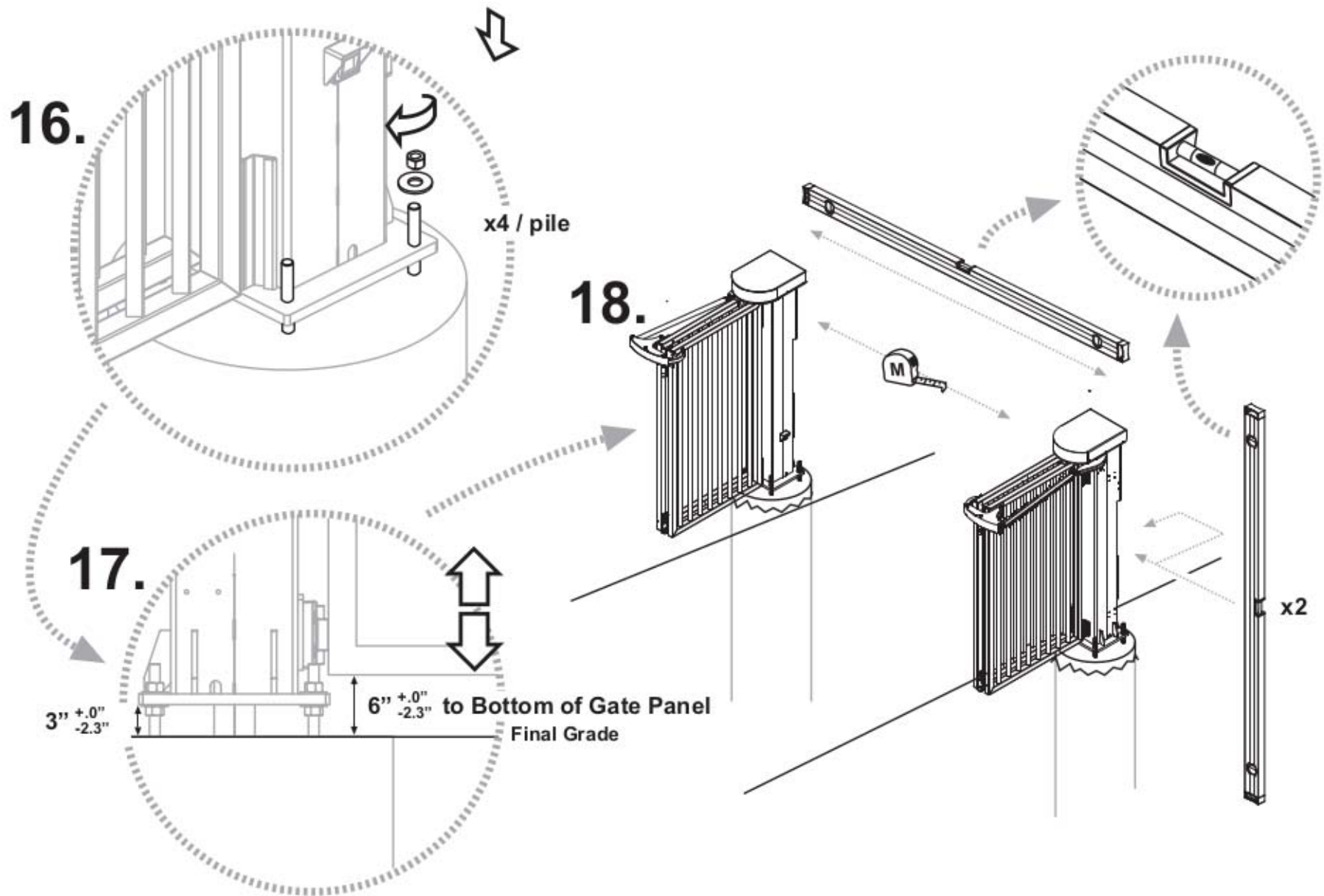
Assemblies (PDXT)

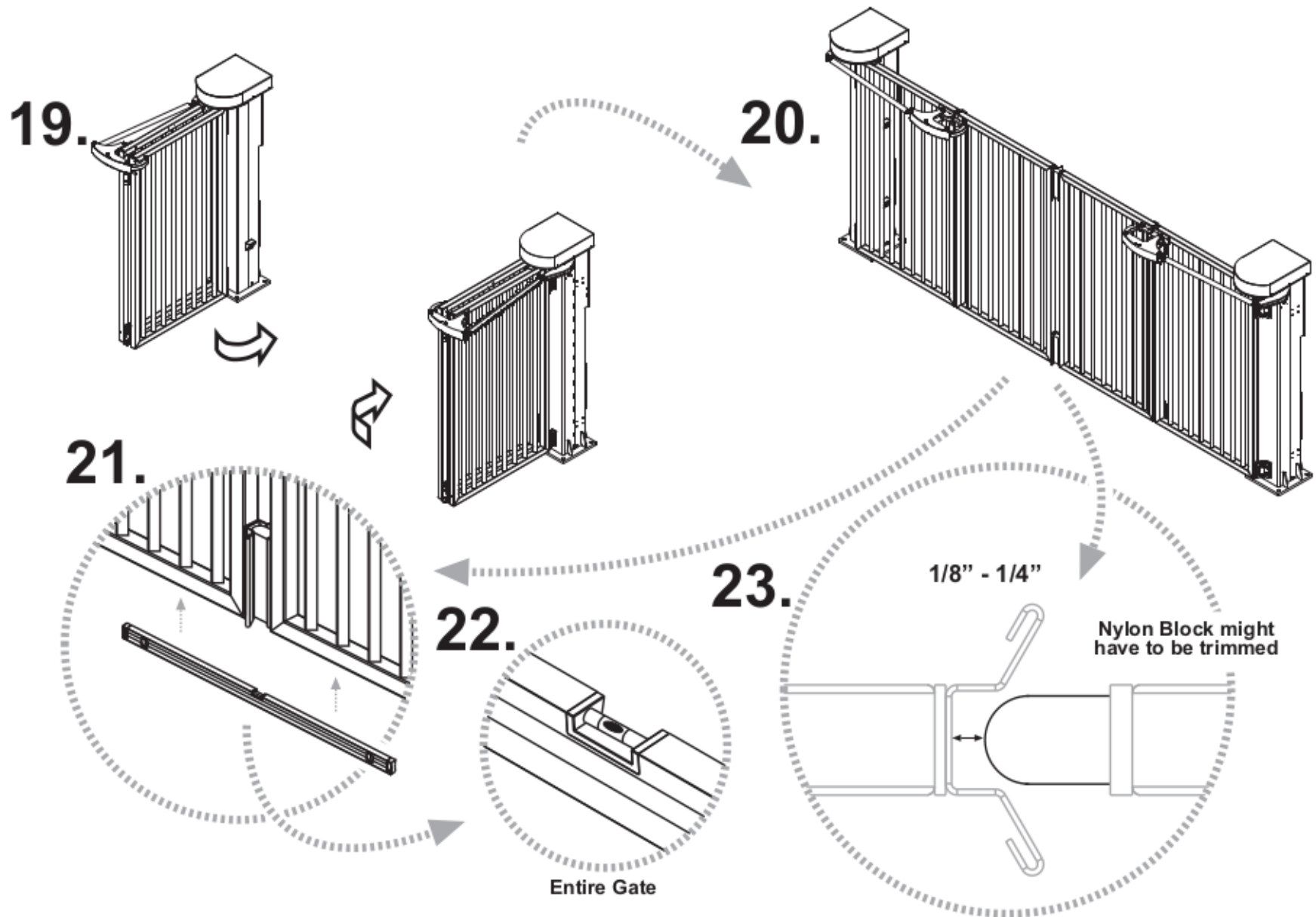


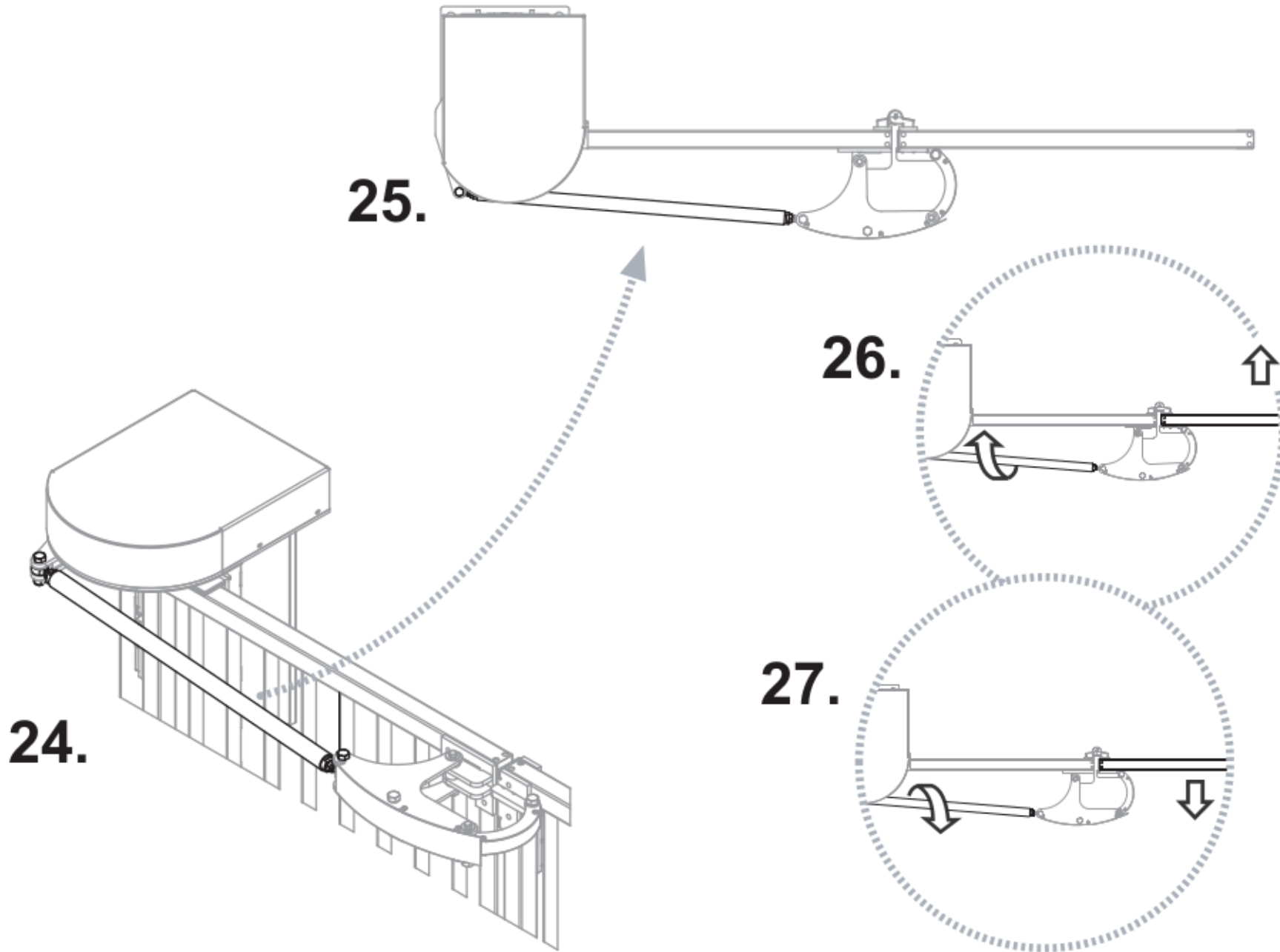




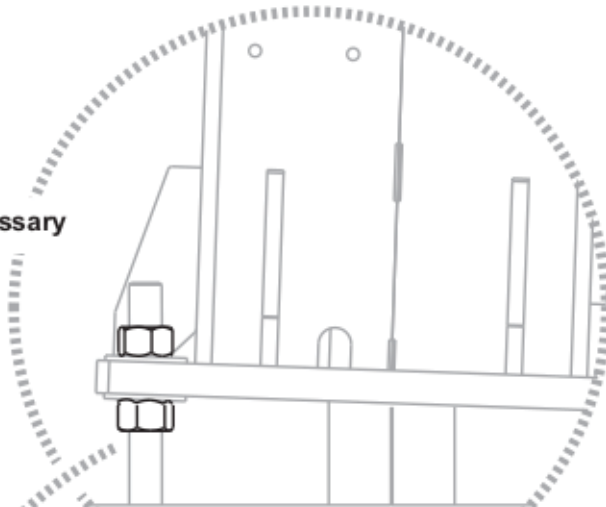




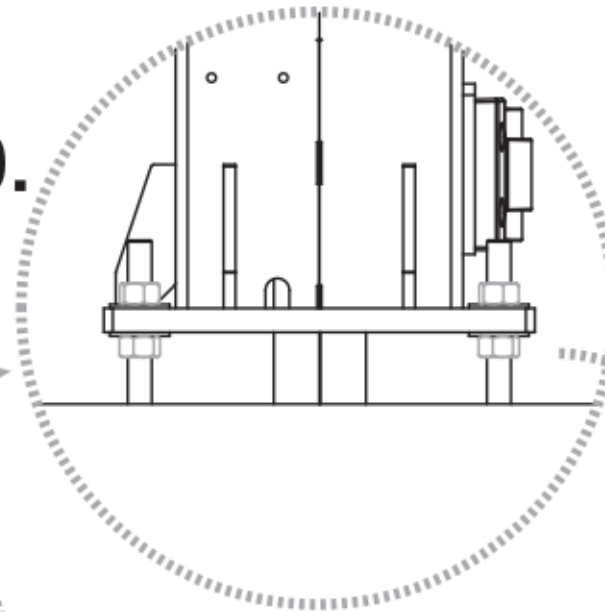




28.
*If Necessary

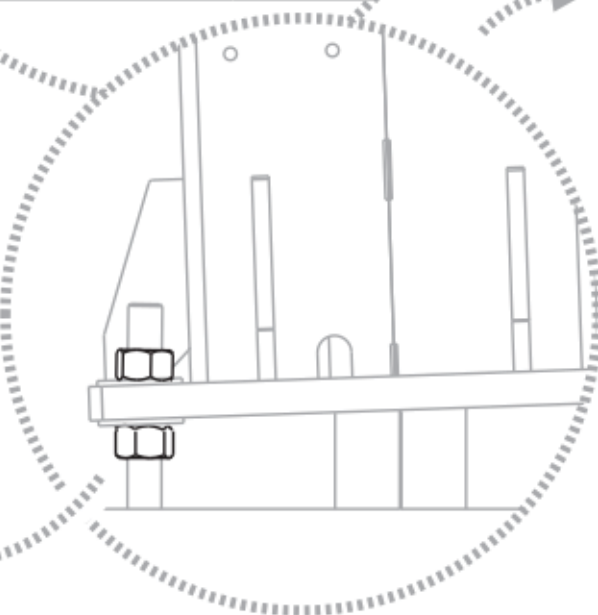


30.



x4 / Column
Approx. 210 ft/lbs

29.
*If Necessary



31.



The SpeedGate can now be wired.