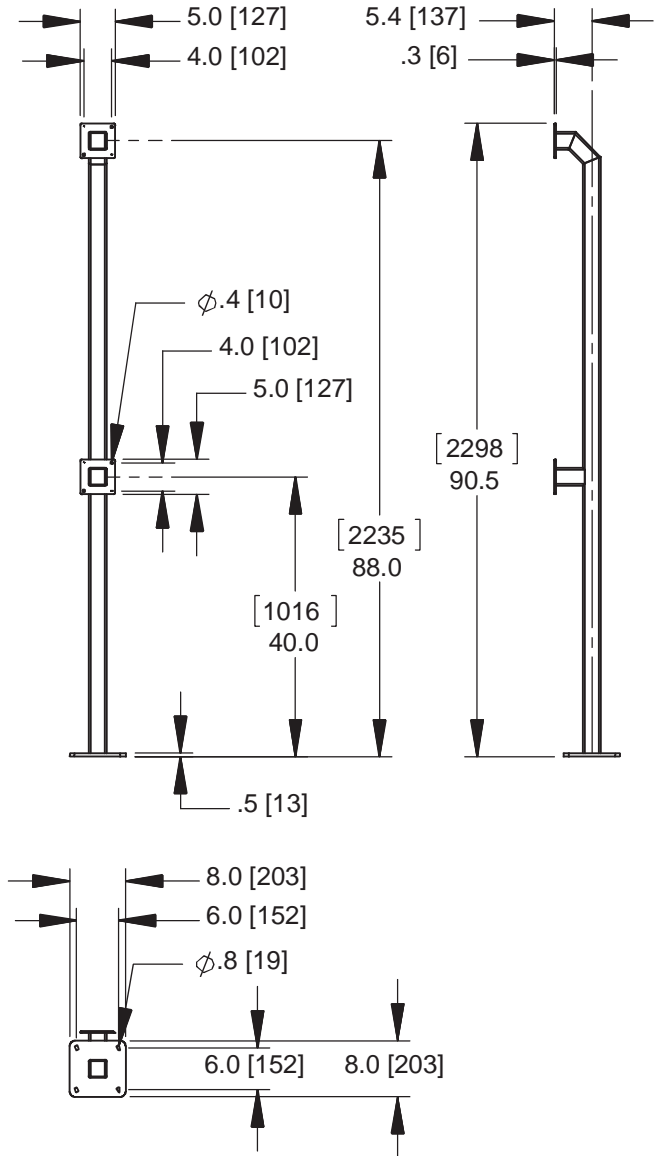
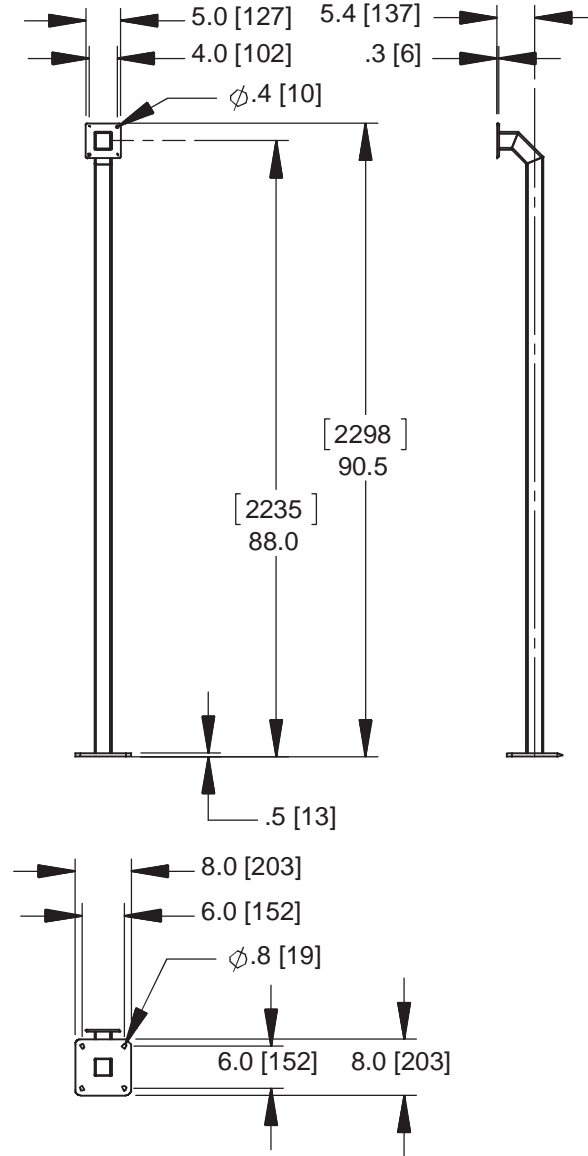


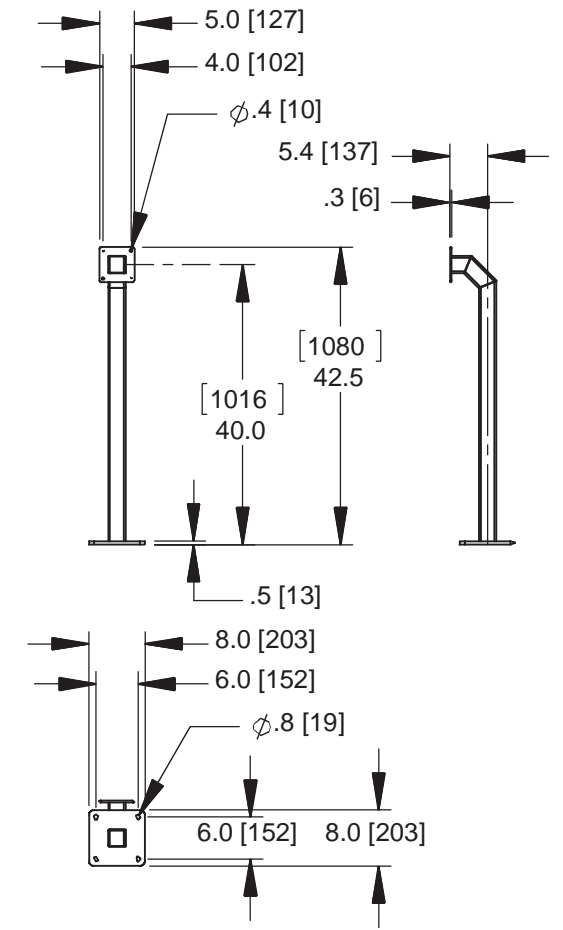
DETAIL S-1 : - DUAL HEIGHT PEDESTAL STAND



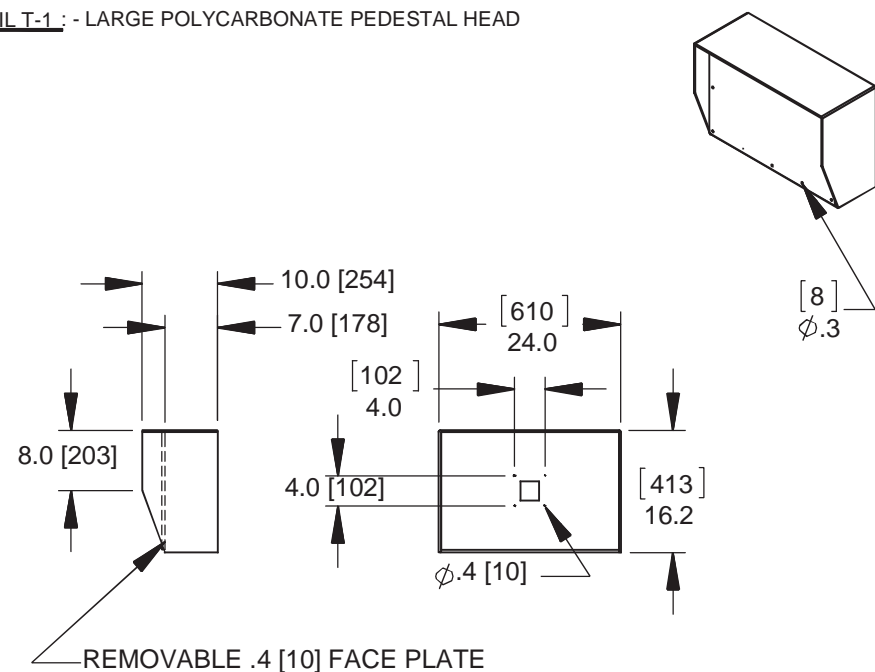
DETAIL S-2 : - SINGLE HEIGHT PEDESTAL STAND



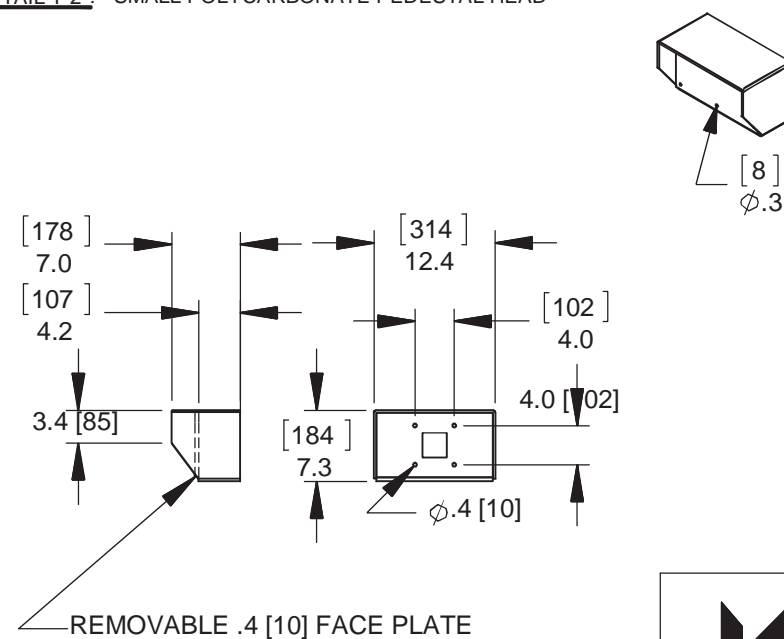
DETAIL S-3 : - SINGLE HEIGHT PEDESTAL STAND



DETAIL T-1 : - LARGE POLYCARBONATE PEDESTAL HEAD



DETAIL T-2 : - SMALL POLYCARBONATE PEDESTAL HEAD



Description:		ACCESS CONTROL PEDESTAL	
		SINGLE / DUAL HEIGHT SMALL / LARGE POLYCARBONATE HEADS	
Customer / Project Name:			
Finish:		Date:	
HOT DIPPED GALVANIZED (STEEL COMPONENTS)		1/292018	
Drawing No.		Rev.	
ACP-01-29-18		1 of 1	



115 Lowson Crescent
Winnipeg, Manitoba, Canada, R3P 1A6
Phone: 1-866-300-1110
Fax: 1-204-284-1868
Web: www.wallaceperimetersecurity.com