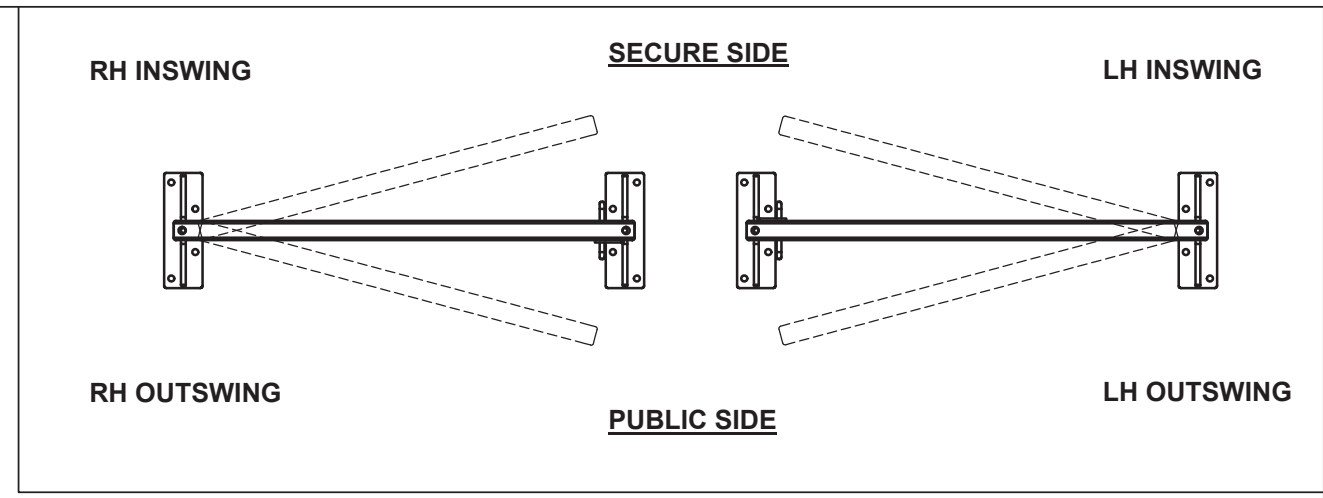
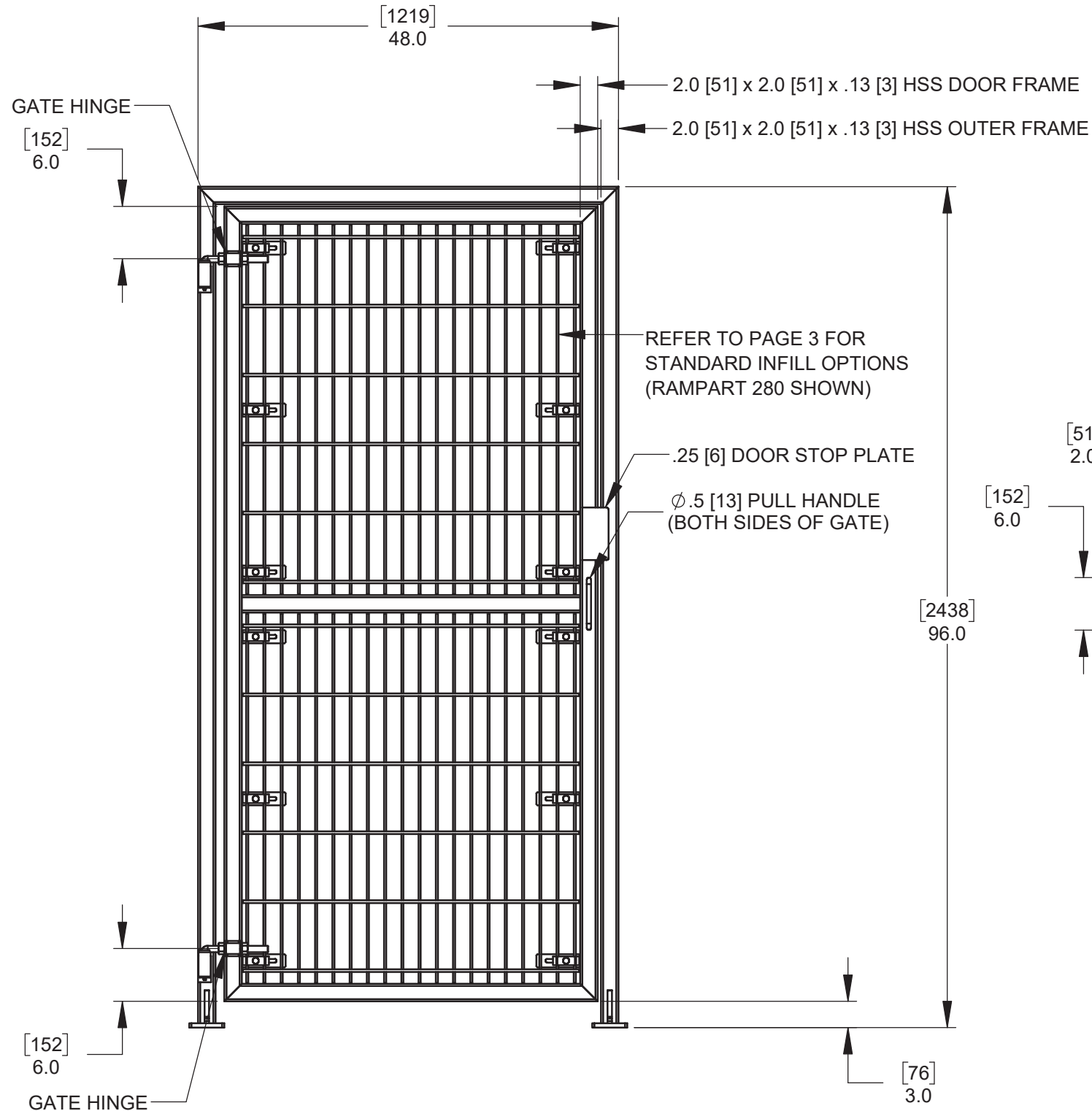




REFER TO PAGE 2 FOR
BASE PLATE OPTIONS



DOOR SWING SELECTION

GATE SIZING NOTE:
GATE IS SHOWN IN THE DEFAULT SIZE CONFIGURATION.
CUSTOM SIZING IS AVAILABLE APON REQUEST.

NOTES:
- DIMENSIONS ARE SHOWN IN INCHES, DIMENSIONS SHOWN IN [] ARE IN MILLIMETERS.

PAGE 2:
- GENERAL CONSTRUCTION DETAILS, BASE PLATE OPTIONS, MOUNTING OPTIONS.

PAGE 3:
- GATE INFILL OPTIONS.

PAGE 4:
- PASSAGE SET / PASSAGE HARDWARE OPTIONS.
- ELECTRIC STRIKE OPTIONS

PAGE 5:
- LOCK AND CLOSER OPTIONS.

PAGE 6:
- REACH THRU GUARDS

FINISH NOTES:

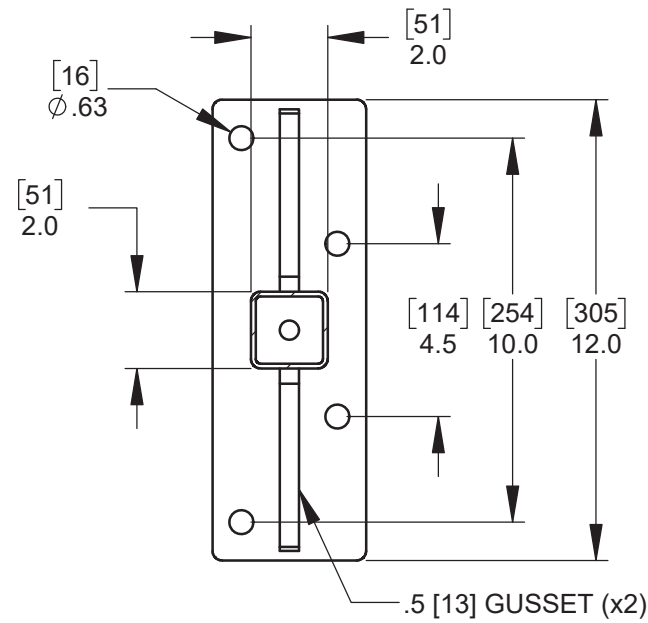
- STANDARD FINISH, HOT DIPPED GALVANIZED
- OPTIONAL POWDER COAT PAINT FINISH.
- STANDARD POWDER COAT PAINT COLOR: RAL 9005, BLACK
- CUSTOM POWDER COAT PAINT FINISH, RAL # MUST BE SUPPLIED AT TIME OF ORDER.

WALLACE
PERIMETER SECURITY

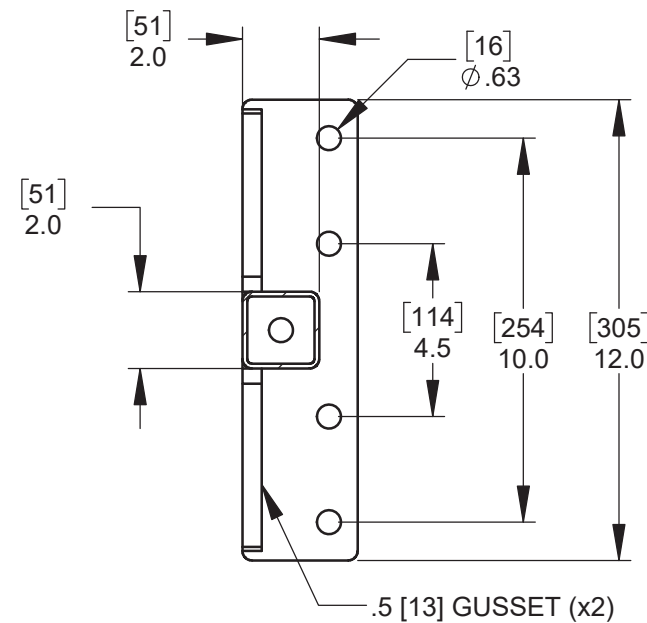
115 Lowson Crescent
Winnipeg, Manitoba, Canada, R3P 1A6
Phone: 1-866-300-1110
Fax: 1-204-284-1868
Web: www.wallaceperimetersecurity.com

Description:		PRE-HUNG PEDESTRIAN GATE STANDARD DETAILS AND OPTIONS	
Customer:			
Finish:	SEE FINISH NOTES	Date:	9/9/2024
Drawing No.	PG-ST-000	Rev.	Sheet: 1 of 6

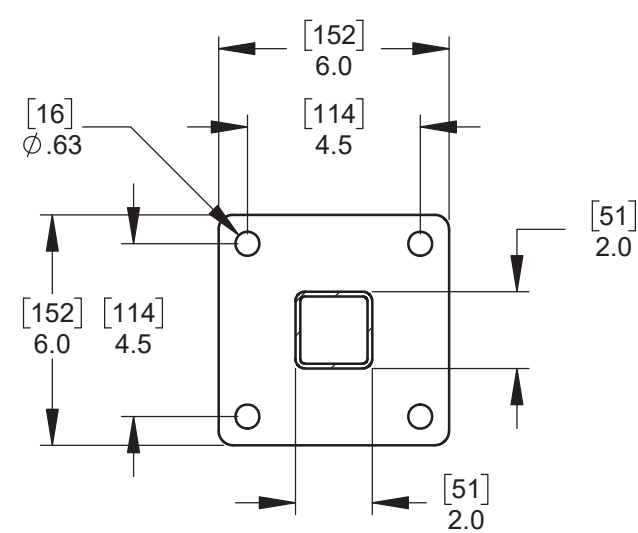
DETAIL B1 - 4" [102] x 2" [51] x .5 [13] BASE PLATE



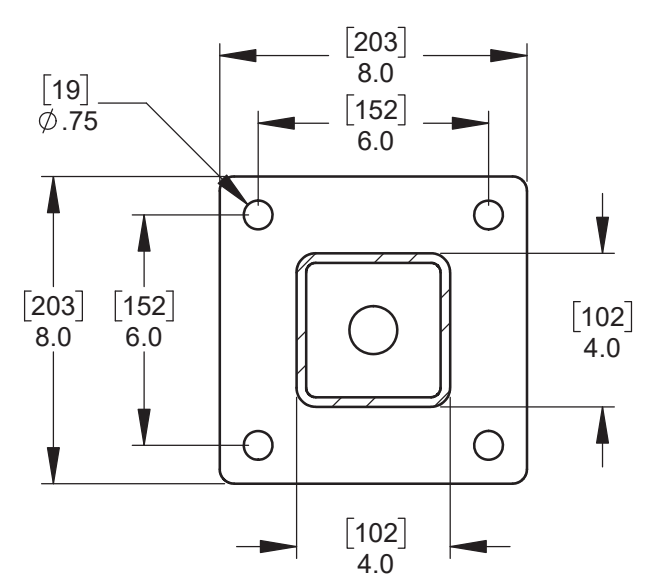
DETAIL B2 - 3" [76] x 2" [51] x .5 [13] BASE PLATE



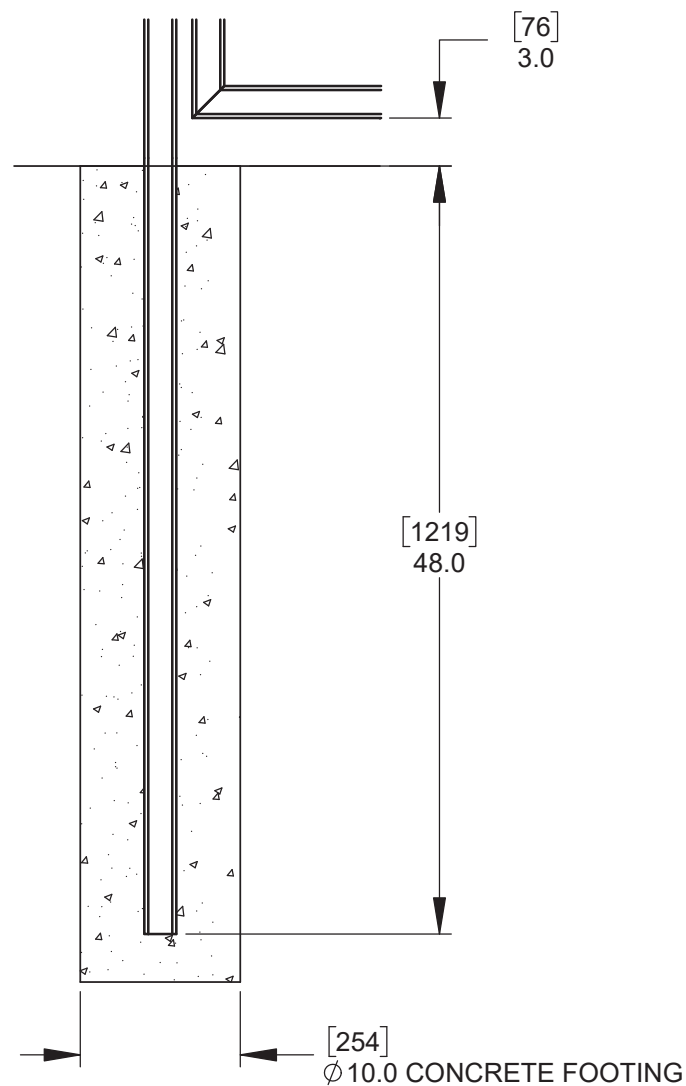
DETAIL B3 - 6" [152] x 6" [152] x .25 [6] BASE PLATE



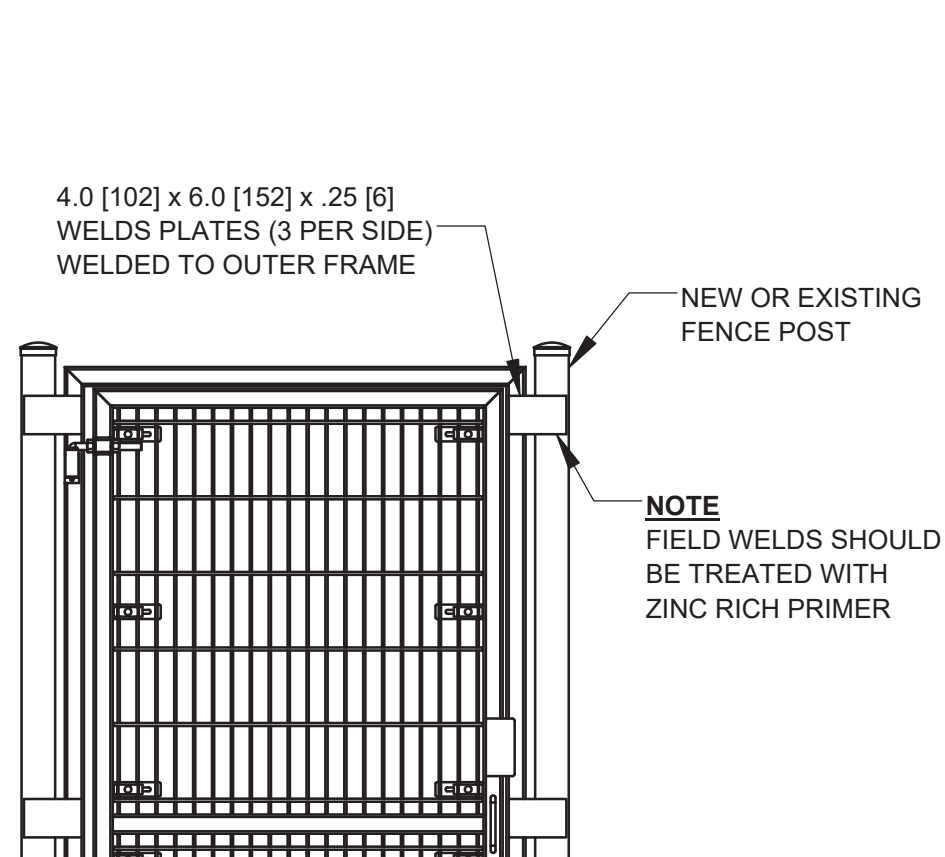
DETAIL B4 - 8" [203] x 8" [203] x .5 [13] BASE PLATE



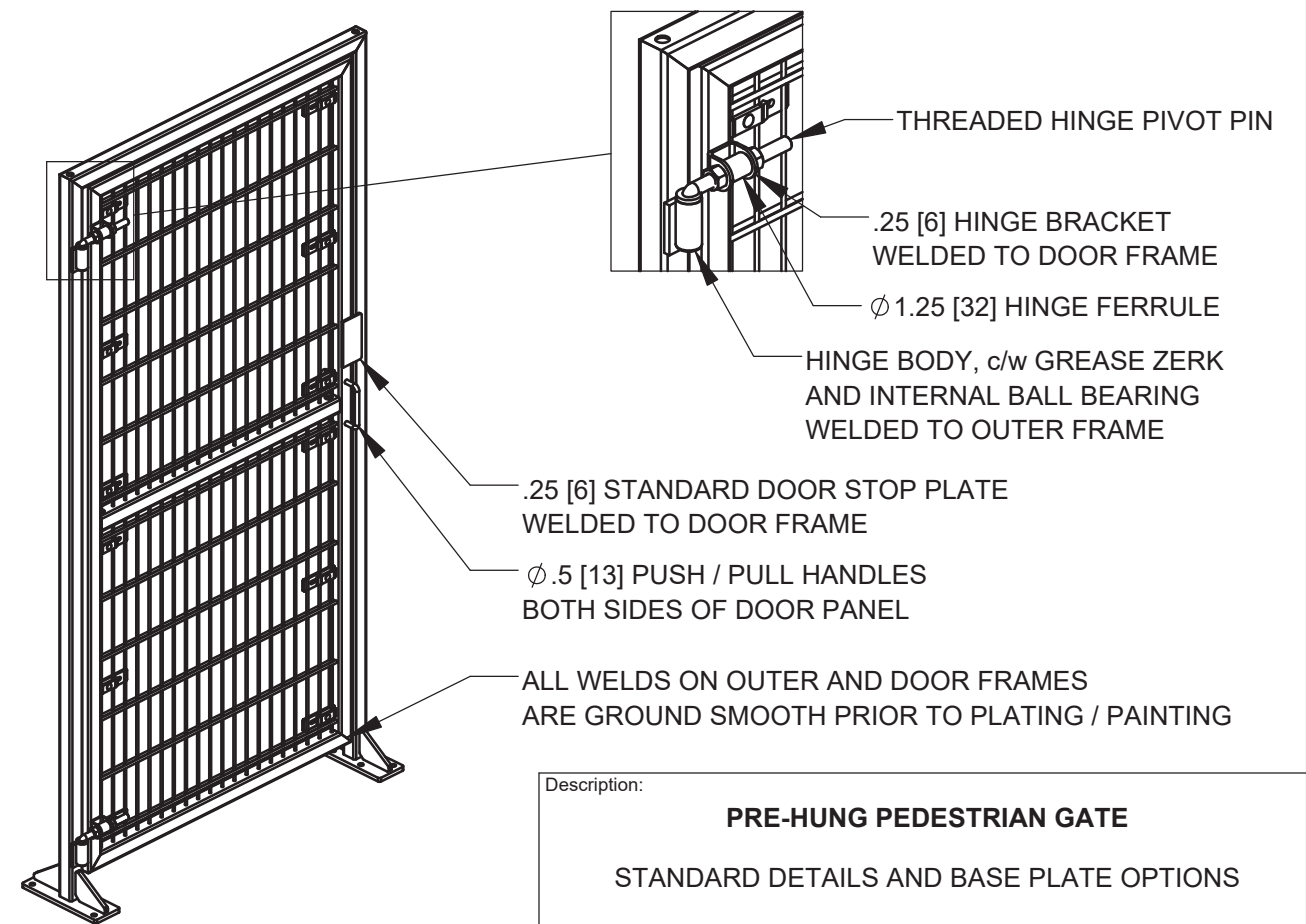
DETAIL C1 - DIG AND SET (CONCRETE FOOTING)



DETAIL C2 - POST WELD PLATES



DETAIL D - STANDARD GATE DETAILS

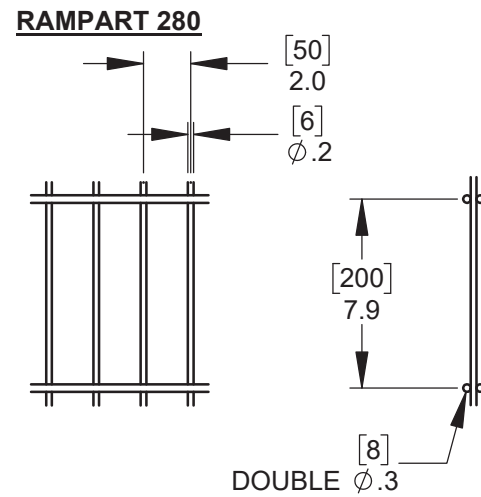
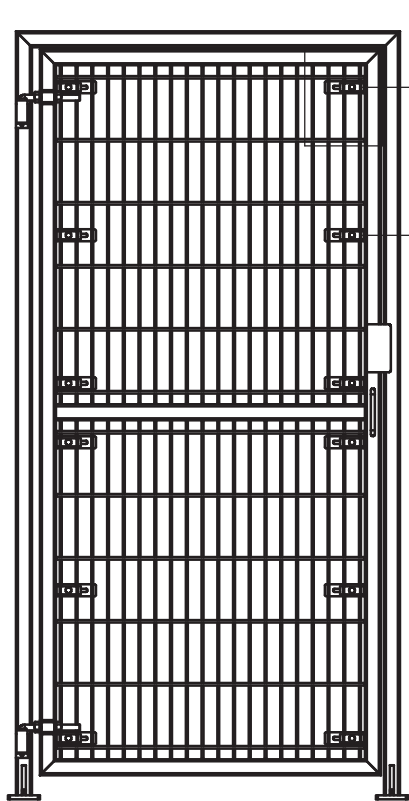
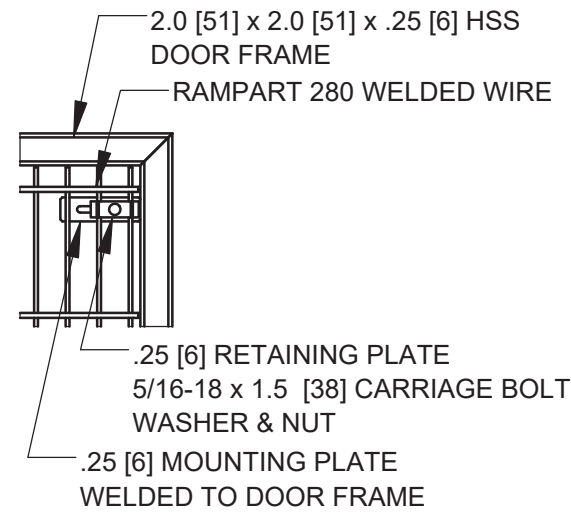


WALLACE
PERIMETER SECURITY

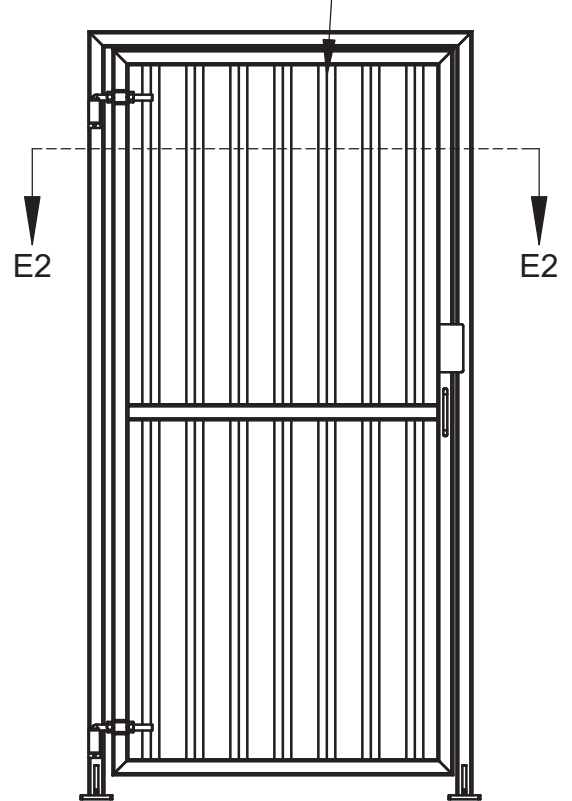
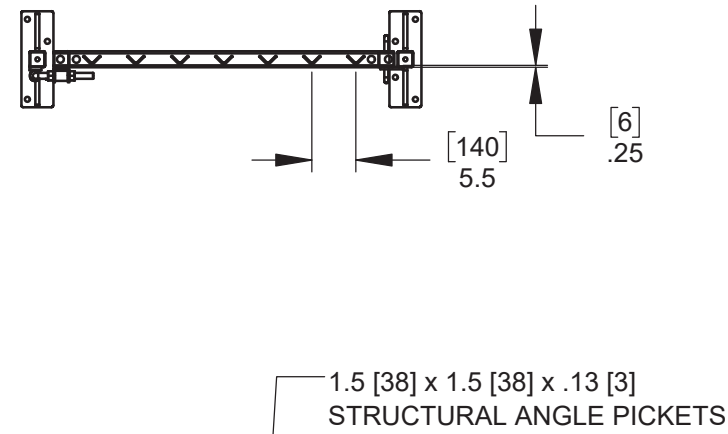
115 Lowson Crescent
Winnipeg, Manitoba, Canada, R3P 1A6
Phone: 1-866-300-1110
Fax: 1-204-284-1868
Web: www.wallaceperimetersecurity.com

Description:		PRE-HUNG PEDESTRIAN GATE	
		STANDARD DETAILS AND BASE PLATE OPTIONS	
Customer:			
Finish:	SEE FINISH NOTES	Date:	9/9/2024
Drawing No.	PG-ST-000	Rev.	Sheet:
			2 of 6

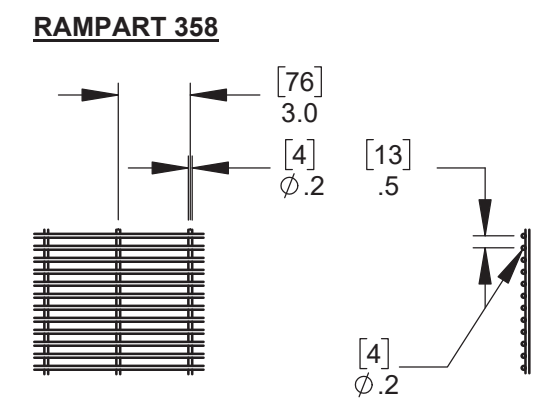
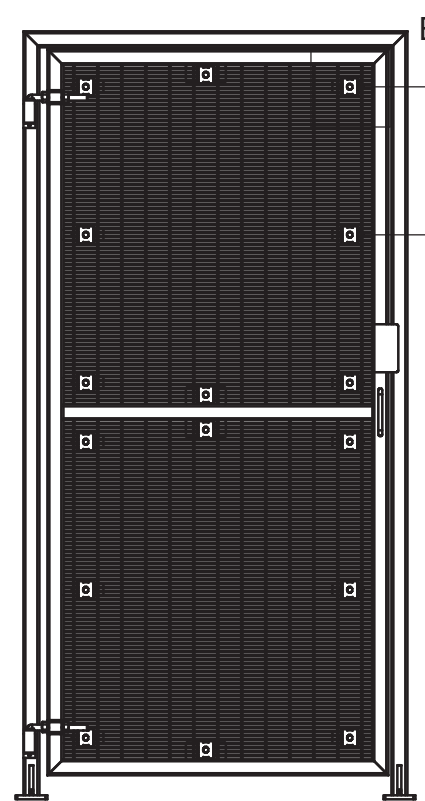
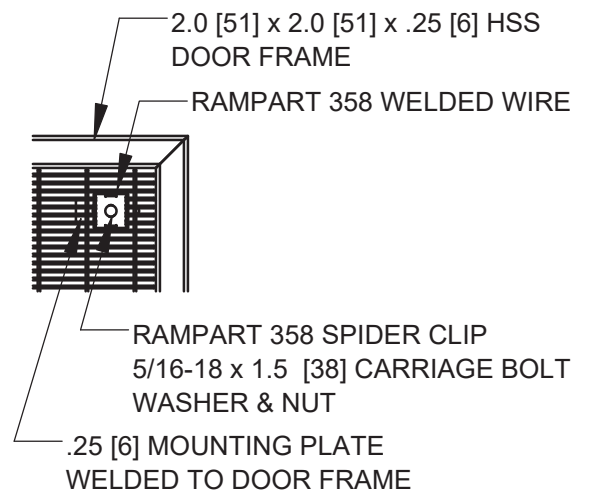
DETAIL E1 - RAMPART 280 WELDED WIRE INFILL



DETAIL E2 - 1.5 [38] x 1.5 [38] x .13 [3] VERTICAL PICKETS



DETAIL E3 - RAMPART 358 WELDED WIRE INFILL



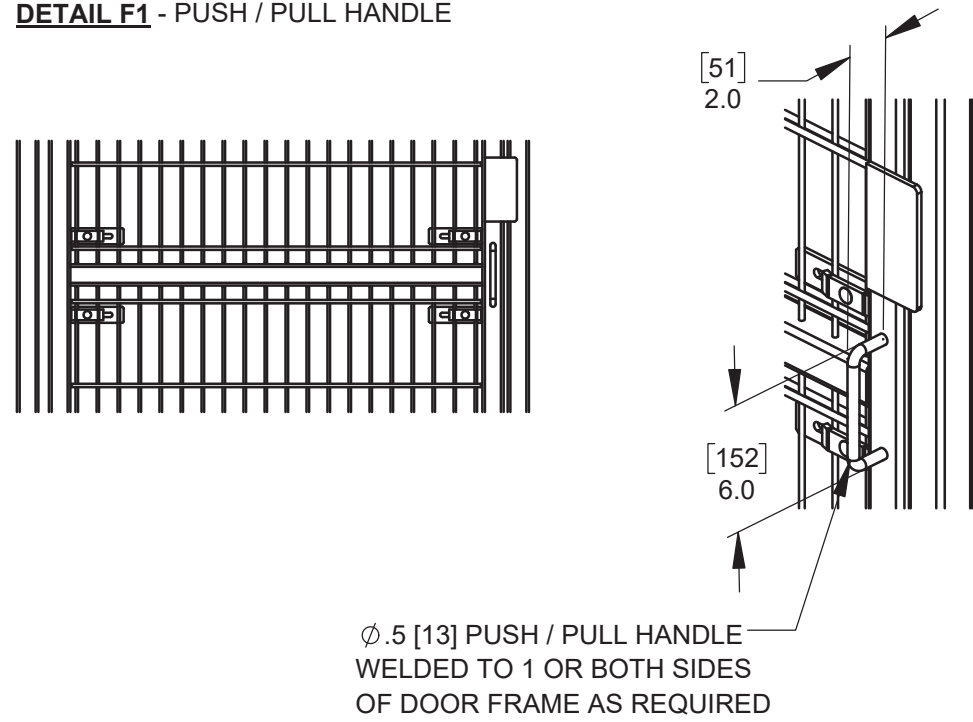
INFILL NOTES:

- CUSTOM PANEL INFILL OPTIONS ARE AVAILABLE, INQUIRE WITH YOUR WALLACE PERIMETER SECURITY SALES REPRESENTATIVE FOR AVAILABILITY.
- OPTIONAL REACH THRU GUARDS ARE AVAILABLE WITH CERTAIN PASSAGE SET / PASSAGE HARDWARE CONFIGURATIONS. REFER TO PAGE 4 FOR DETAILS.

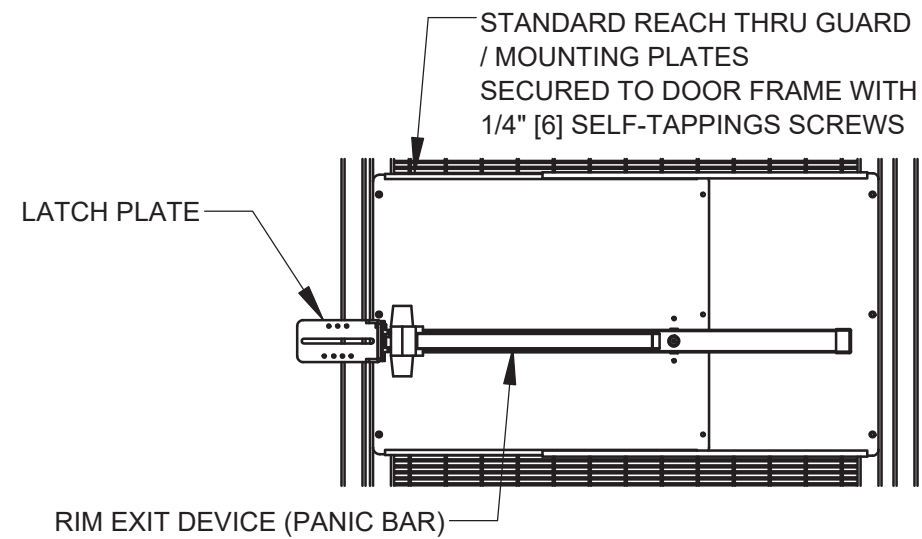
Description:		PRE-HUNG PEDESTRIAN GATE	
		DOOR INFILL OPTIONS	
Customer:			
Finish:	SEE FINISH NOTES	Date:	9/9/2024
Drawing No.	PG-ST-000	Rev.	Sheet:
			3 of 6

115 Lawson Crescent
Winnipeg, Manitoba, Canada, R3P 1A6
Phone: 1-866-300-1110
Fax: 1-204-284-1868
Web: www.wallaceperimetersecurity.com

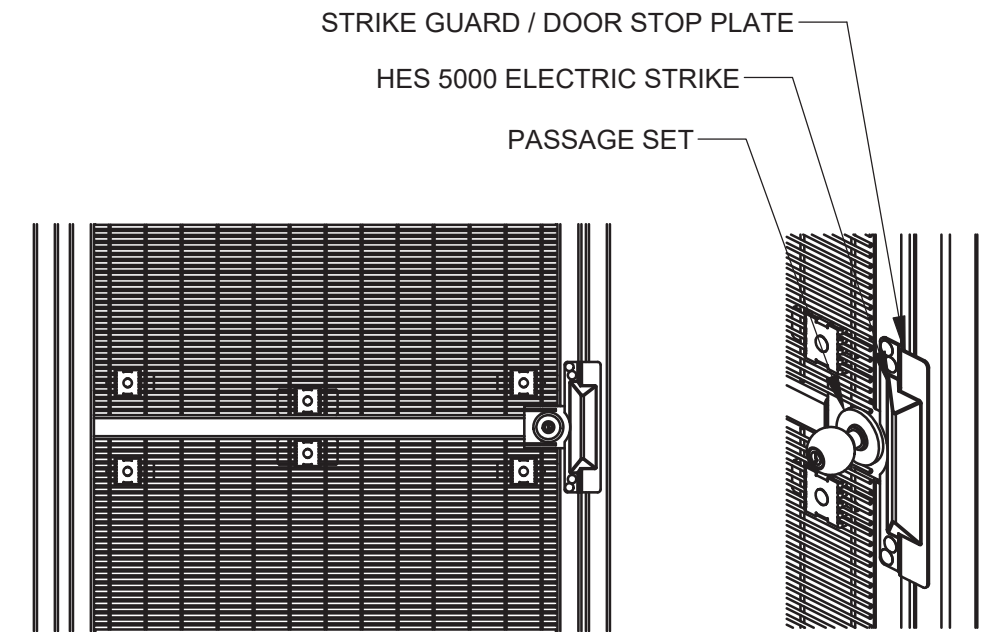
DETAIL F1 - PUSH / PULL HANDLE



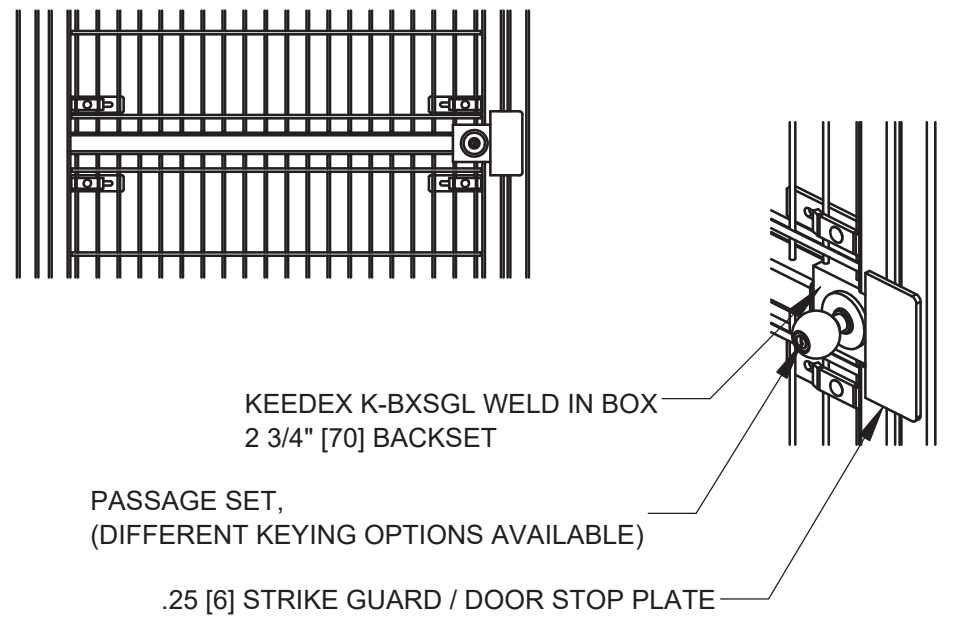
DETAIL F3-1 - RIM EXIT DEVICE (PANIC BAR)



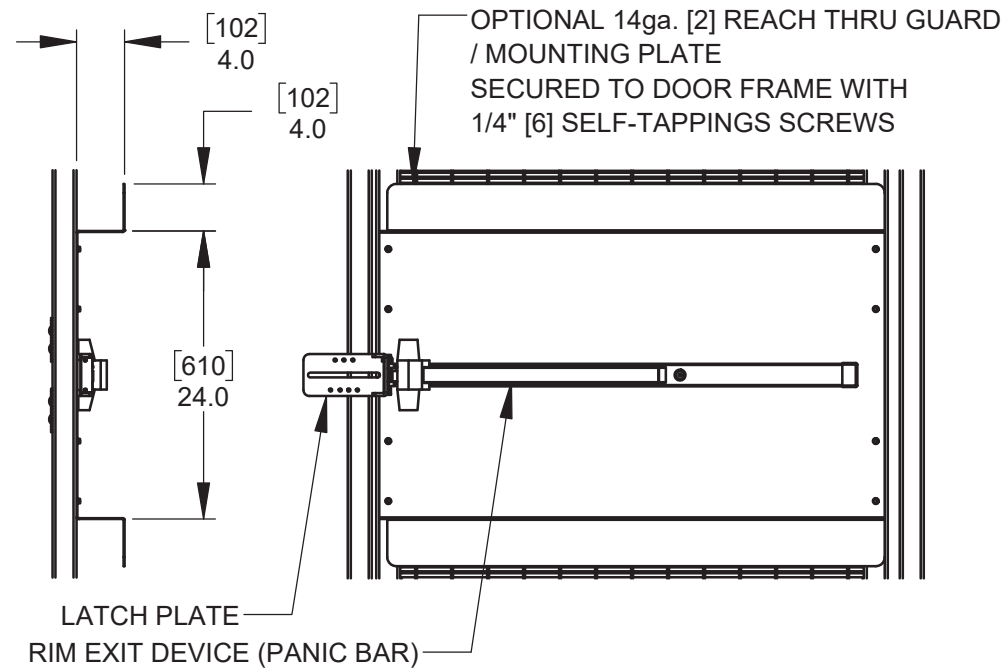
DETAIL G1 - PASSAGE SET / ELECTRIC STRIKE



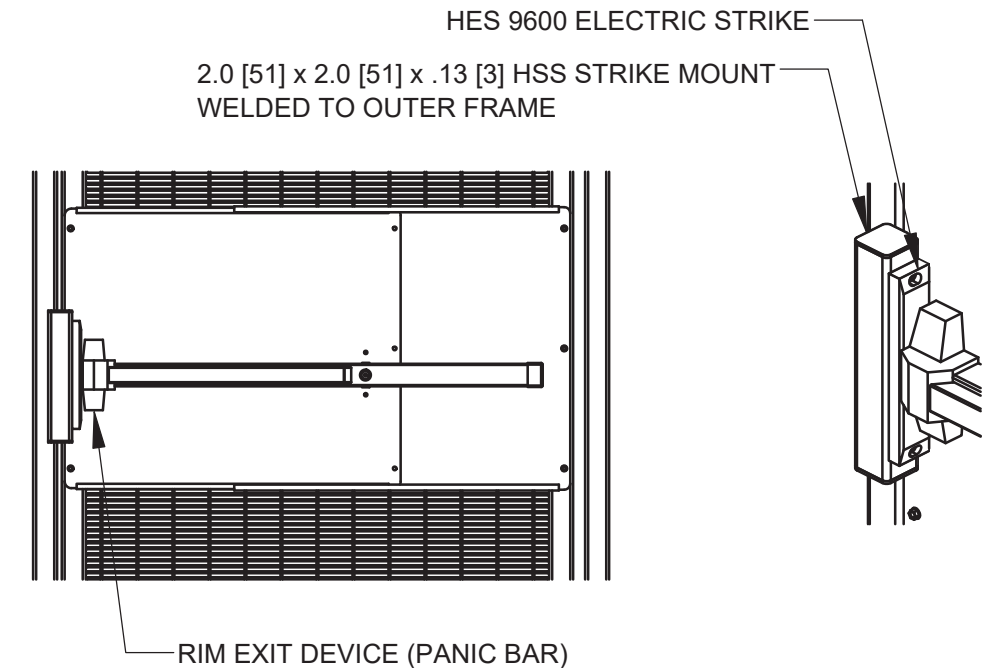
DETAIL F2 - PASSAGE SET



DETAIL F3-2 - OPTIONAL REACH THRU GUARD



DETAIL G2 - RIM EXIT DEVICE (PANIC BAR) / ELECTRIC STRIKE



PASSAGE HARDWARE NOTES:

- CUSTOM PASSAGE HARDWARE OPTIONS ARE AVAILABLE, INQUIRE WITH YOUR WALLACE PERIMETER SECURITY SALES REPRESENTATIVE FOR AVAILABILITY.

Description:
PRE-HUNG PEDESTRIAN GATE
PASSAGE SET / PASSAGE HARDWARE OPTIONS

Customer:

Finish:
SEE FINISH NOTES

Date:
9/9/2024

Drawing No.
PG-ST-000

Rev.

Sheet:
4 of 6

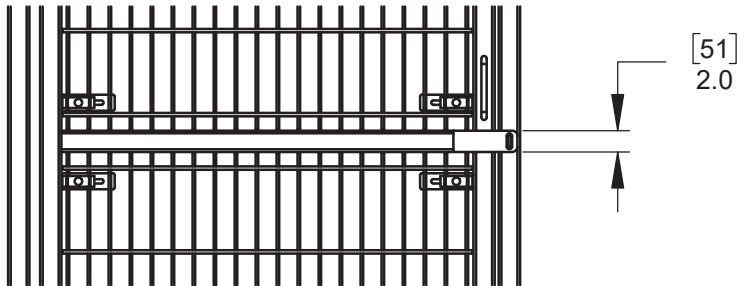
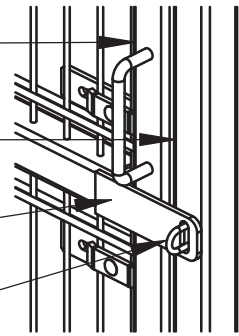
115 Lawson Crescent
Winnipeg, Manitoba, Canada, R3P 1A6
Phone: 1-866-300-1110
Fax: 1-204-284-1868
Web: www.wallaceperimetersecurity.com

DETAIL H1 - PADLOCK PLATE

2" [51] x 2" [51] OUTER FRAME

2" [51] x 2" [51] OUTER FRAME

.25 [6] PADLOCK PLATE
WELDED TO DOOR FRAME
Ø.25 [6] PADLOCK HASP
WELDED TO OUTER FRAME



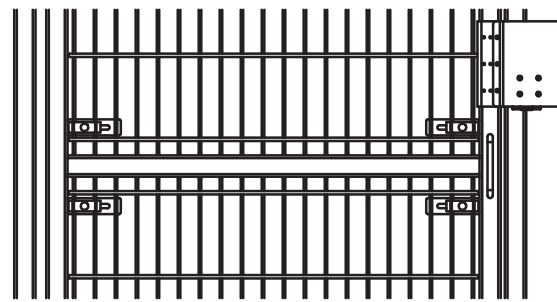
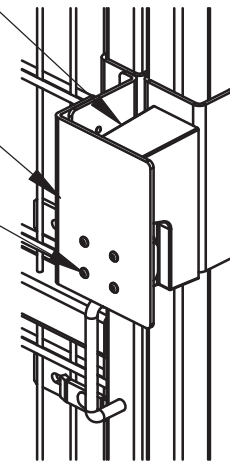
NOTE
PADLOCK PLATE CAN BE LOCATED ON PUBLIC OR SECURE SIDE
OF GATE DEPENDING ON DOOR SWING

DETAIL H2 - GL1, ELECTROMECHANICAL LOCK

SECURATRON GL1
ELECTROMECHANICAL LOCK
MOUNTED TO OUTER FRAME

LOCK LUG
FMK-SW MOUNT

LOCK AND MOUNT ARE INSTALLED
USING 1/4-20 TORX T27 TAMPERPROOF SCREWS

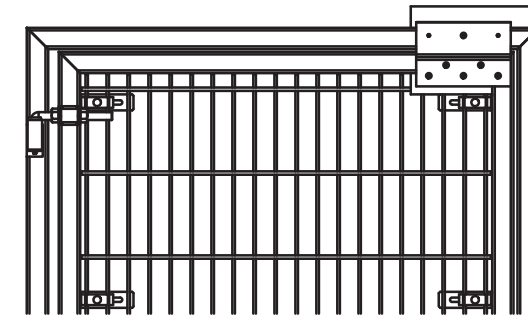
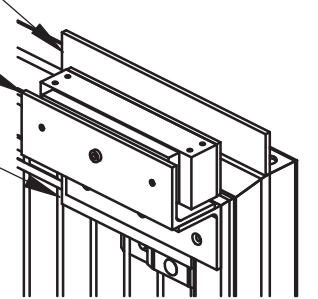


DETAIL H3 - RCI 8380 MAGNETIC LOCK

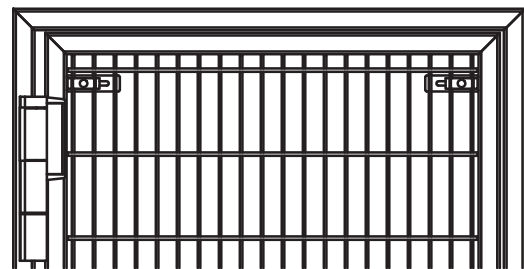
.25 [6] MAG LOCK MOUNTING PLATE
WELDED TO TOP OF OUTER FRAME

RCI 8380 MAG LOCK
& TJ80 TOP JAMB MOUNT

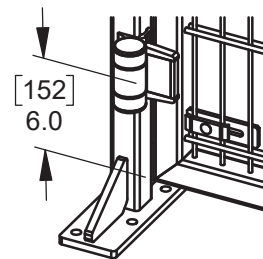
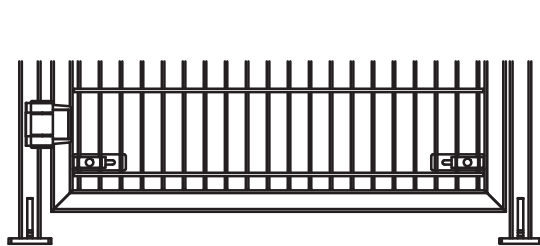
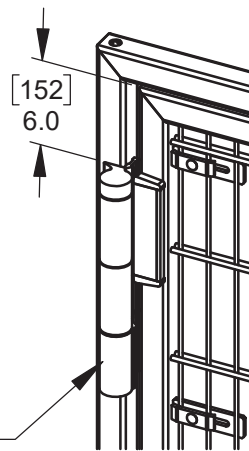
.25 [6] MAG LOCK MOUNTING PLATE
WELDED TO DOOR FRAME



DETAIL I1 - SELF-CLOSING HINGES



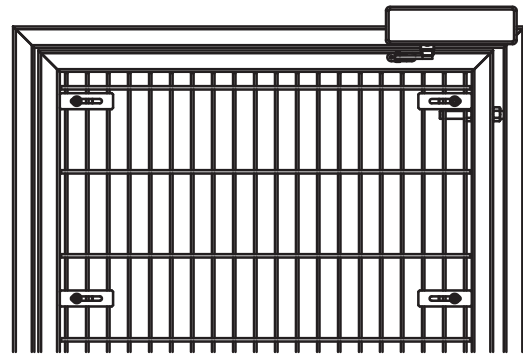
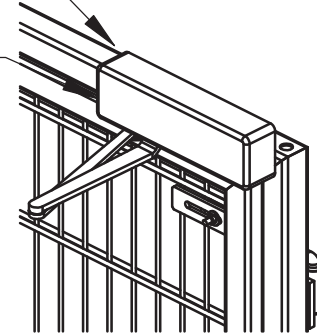
LOCINOX MAMMOTH-180
SELF-CLOSING HINGES



DETAIL I2 - HYDRAULIC DOOR CLOSER

.25 [6] CLOSER MOUNTING PLATE
WELDED TO OUTER FRAME

LCN 4040XP HEAVY DUTY
HYDRAULIC DOOR CLOSER



LOCK OPTION NOTES:

- CUSTOM LOCK AND CLOSER OPTIONS ARE AVAILABLE, INQUIRE WITH YOUR WALLACE PERIMETER SECURITY
SALES REPRESENTATIVE FOR AVAILABILITY.

Description:
PRE-HUNG PEDESTRIAN GATE
LOCK / CLOSER OPTIONS

Customer:
Date: 9/9/2024

Finish:
SEE FINISH NOTES

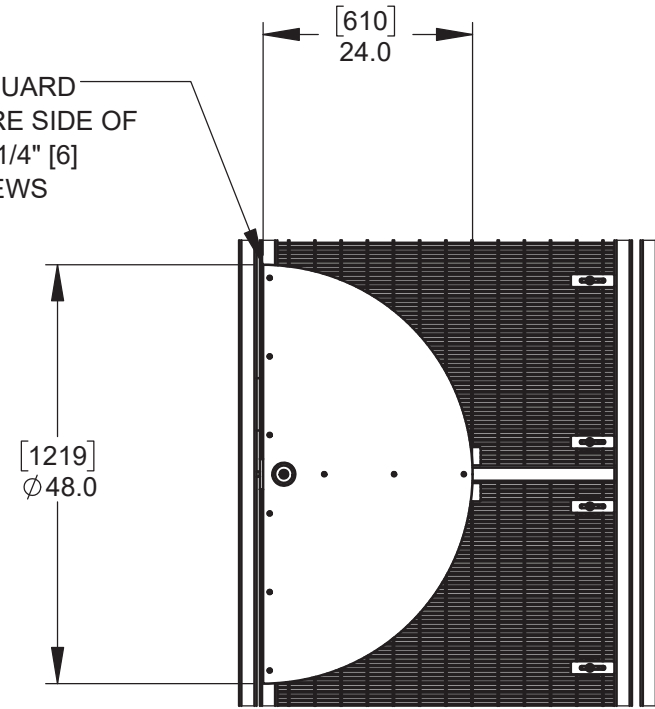
Drawing No. PG-ST-000 Rev. Sheet: 5 of 6

WALLACE
PERIMETER SECURITY

115 Lawson Crescent
Winnipeg, Manitoba, Canada, R3P 1A6
Phone: 1-866-300-1110
Fax: 1-204-284-1868
Web: www.wallaceperimetersecurity.com

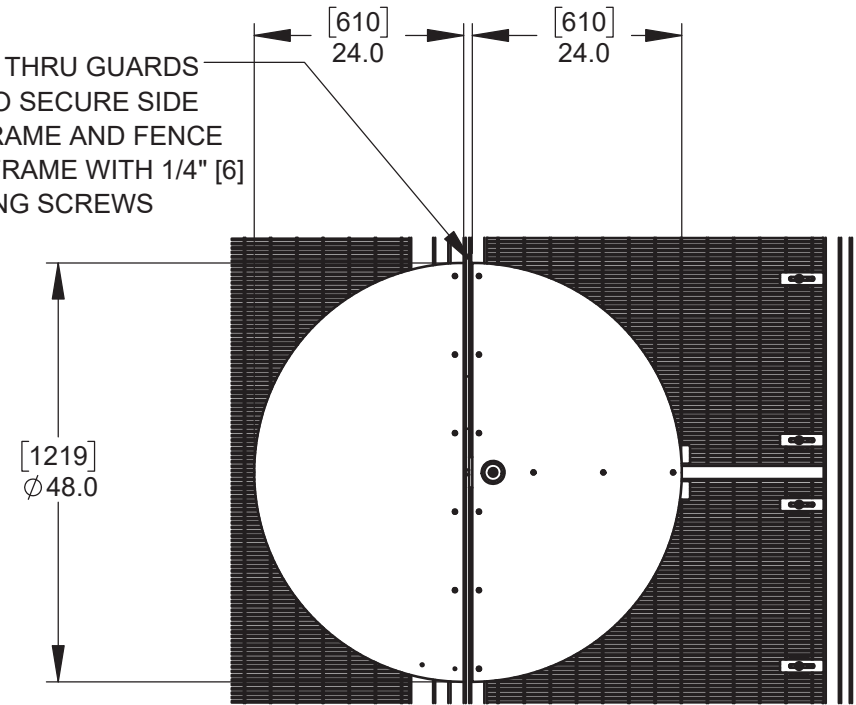
DETAIL J1 - REACH THRU GUARD

16ga REACH THRU GUARD
SECURED TO SECURE SIDE OF
DOOR FRAME WITH 1/4" [6]
SELF-TAPPING SCREWS

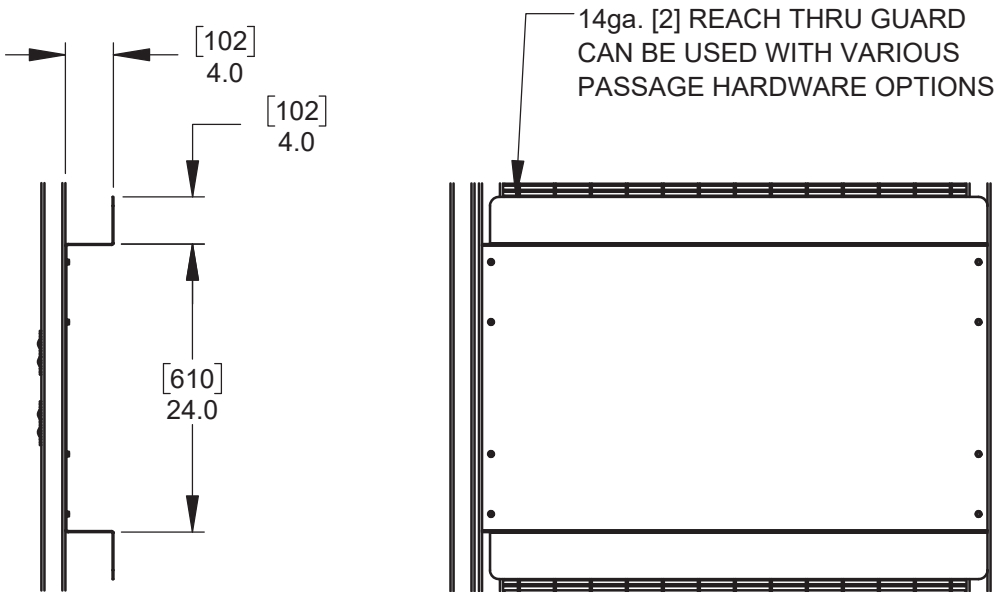


DETAIL J2 - DOUBLE REACH THRU GUARD

16ga REACH THRU GUARDS
SECURED TO SECURE SIDE
OF DOOR FRAME AND FENCE
OR OUTER FRAME WITH 1/4" [6]
SELF-TAPPING SCREWS



DETAIL J3 - FORMED REACH THRU GUARD



REACH THRU GUARD NOTES:

- CUSTOM REACH THRU GUARDS ARE AVAILABLE FOR VARIOUS PASSAGE HARDWARE OPTIONS,
INQUIRE WITH YOUR WALLACE PERIMETER SECURITY SALES REPRESENTATIVE FOR AVAILABILITY.

Description:
PRE-HUNG PEDESTRIAN GATE
REACH THRU GUARDS

Customer:
Date: 9/9/2024
Finish: SEE FINISH NOTES
Drawing No. PG-ST-000
Rev.
Sheet: 6 of 6



115 Lawson Crescent
Winnipeg, Manitoba, Canada, R3P 1A6
Phone: 1-866-300-1110
Fax: 1-204-284-1868
Web: www.wallaceperimetersecurity.com