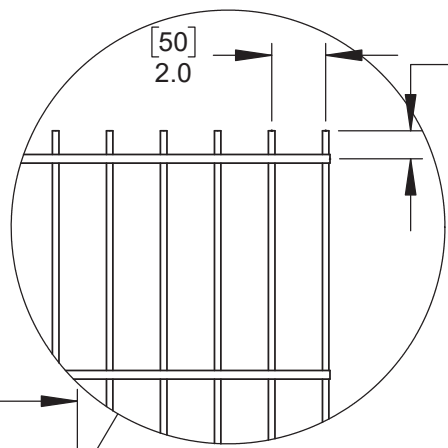
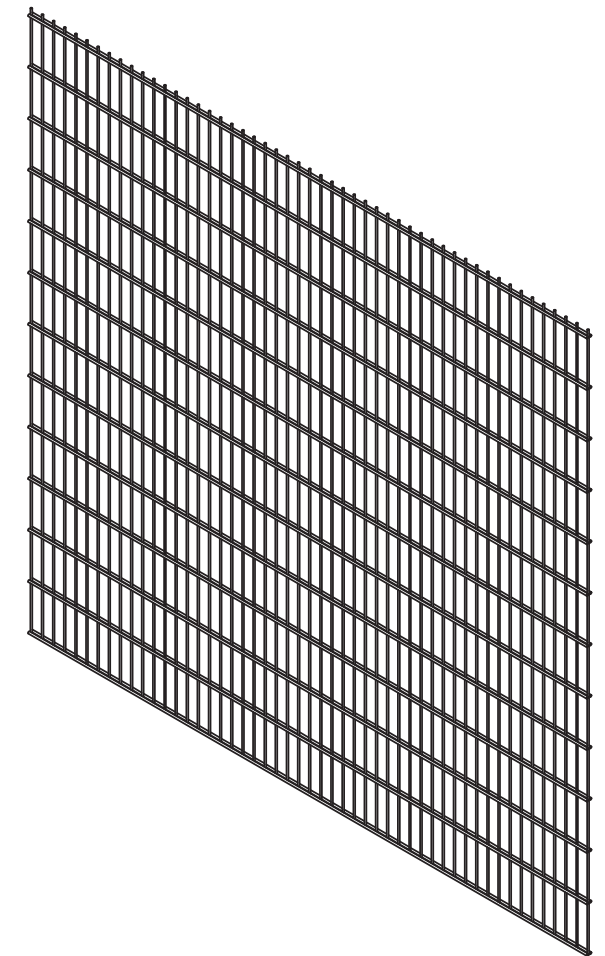
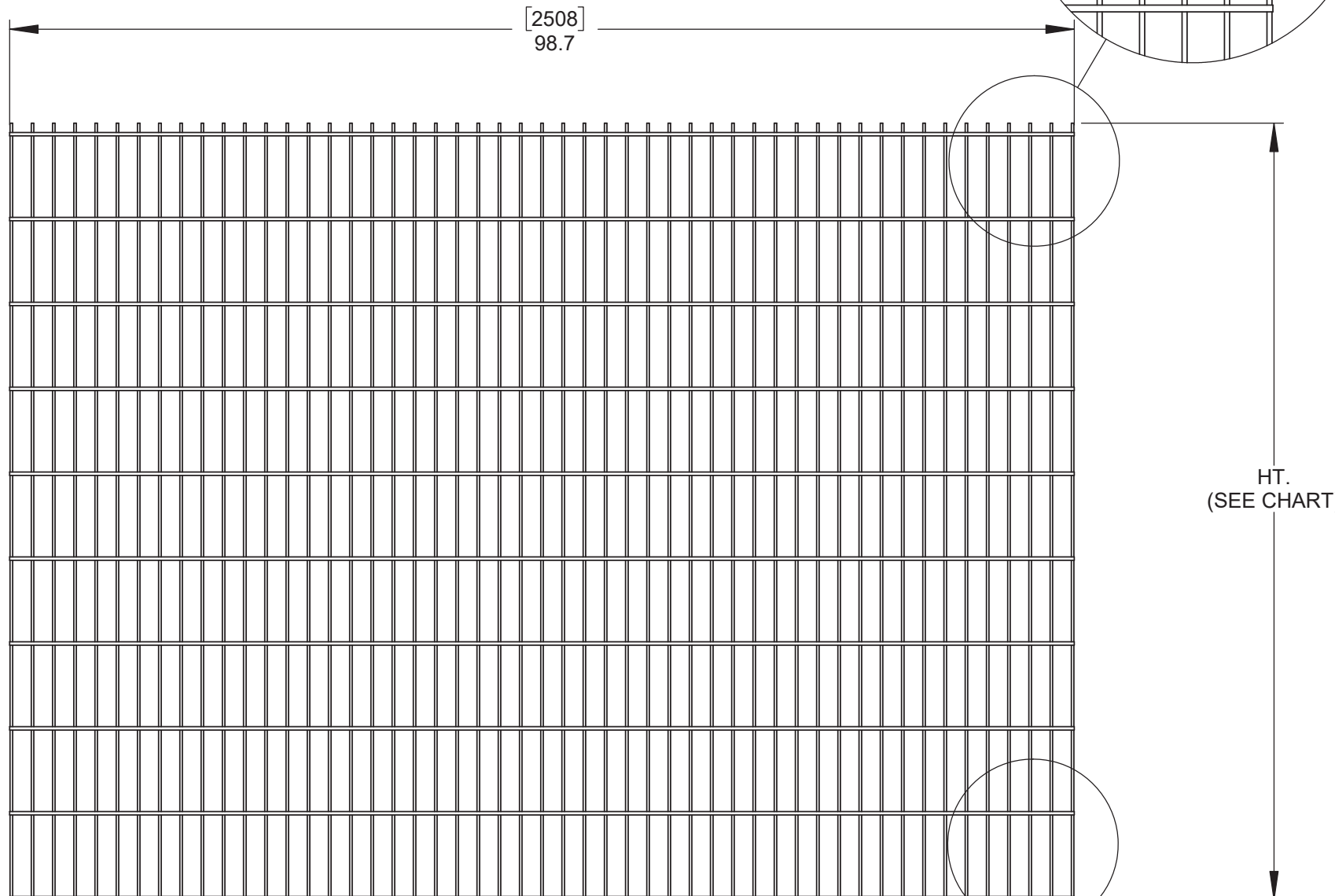
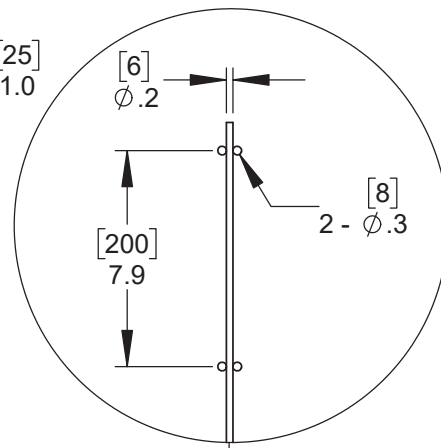


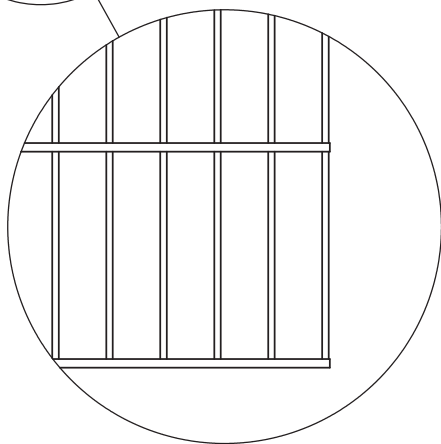
**DETAIL A**



**DETAIL C**



**DETAIL B**



	<u>HT.</u>
4' [1.2M]	48.4 [1230]
6' [1.8M]	72.0 [1830].
8' [2.4M]	95.7 [2430]



115 Lawson Crescent  
Winnipeg, Manitoba, Canada, R3P 1A6  
Phone: 1-866-300-1110  
Fax: 1-204-284-1868  
Web: www.wallaceperimetersecurity.com

Description:		<b>RAMPART 280 - DOUBLE WIRE</b> WELDED WIRE PANEL	
Material			
Finish:	HOT DIPPED GALVANIZED OPTIONAL POWDER COAT FINISH AVAILABLE	Date:	9/5/2018
Drawing No.	<b>RAMPART 280</b>	Rev.	Sheet: 1 of 1