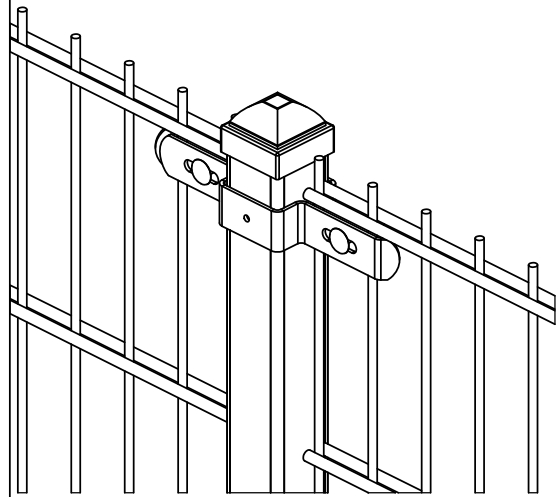
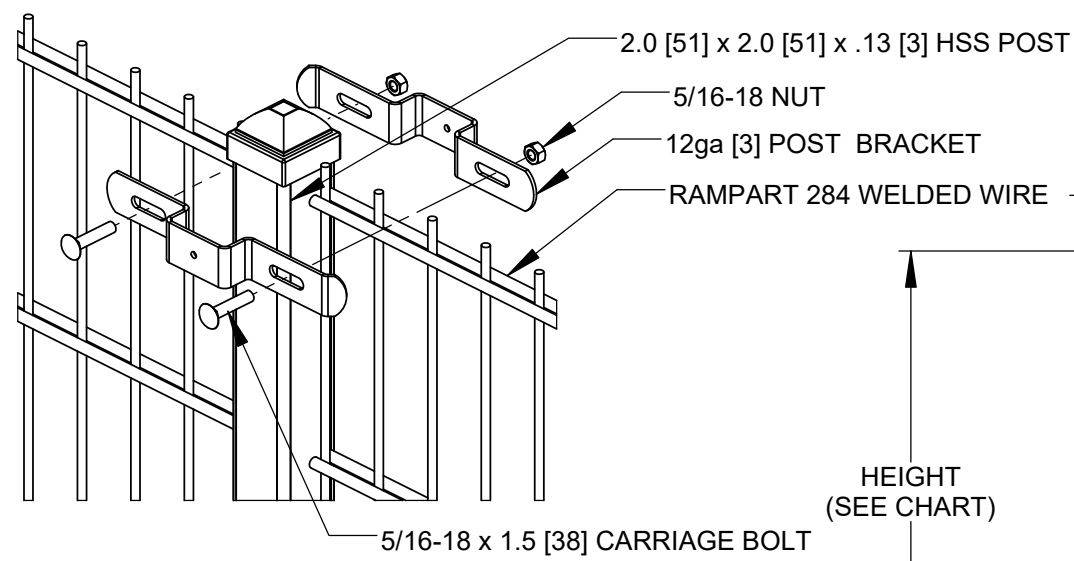


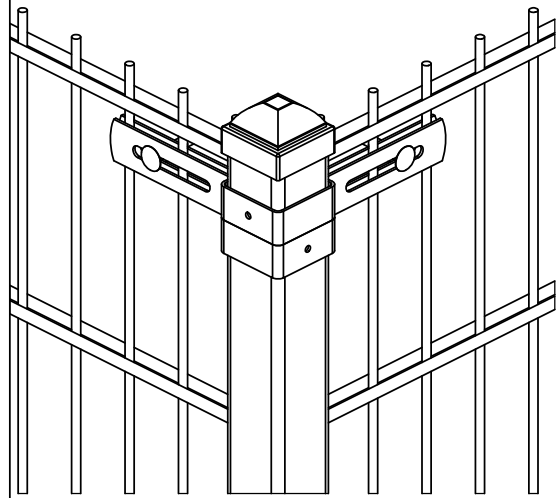
DETAIL A - LINE POST CONNECTION



DETAIL D - PANEL CONNECTION DETAIL

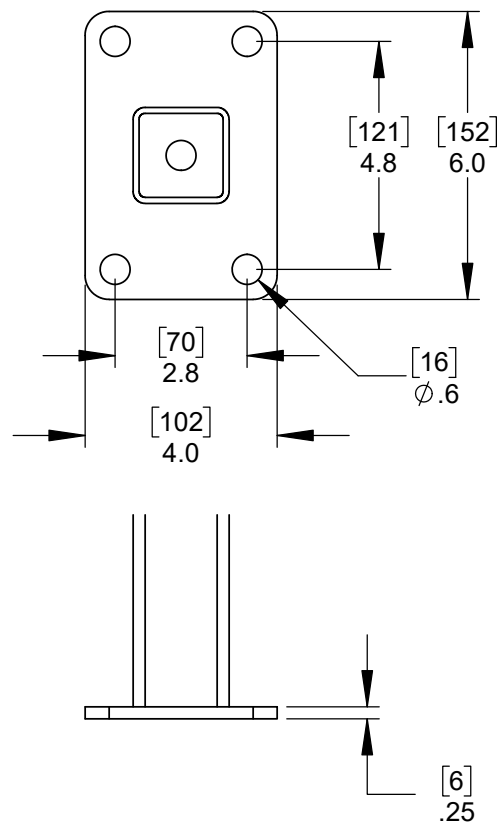


DETAIL B - CORNER POST CONNECTION

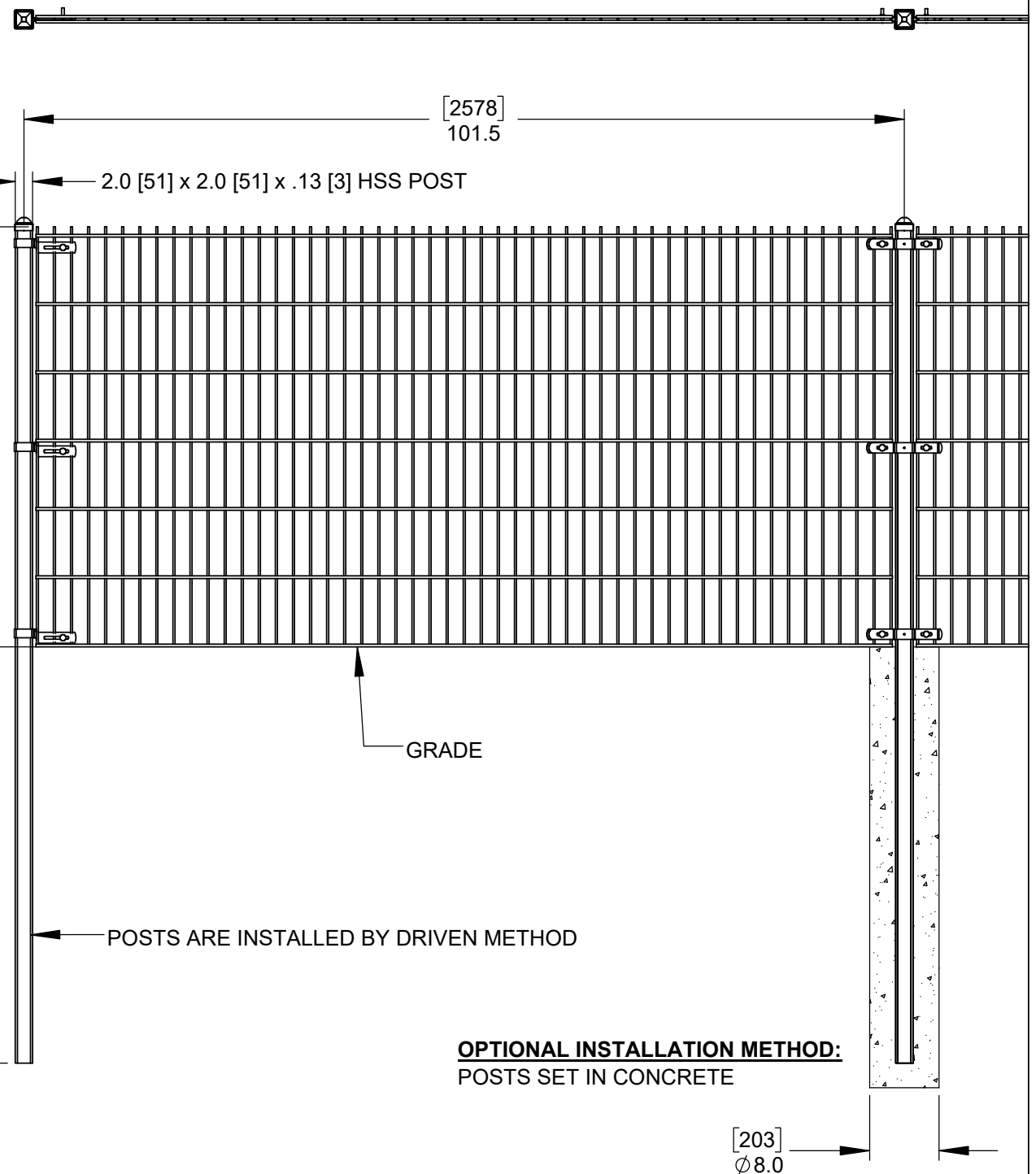
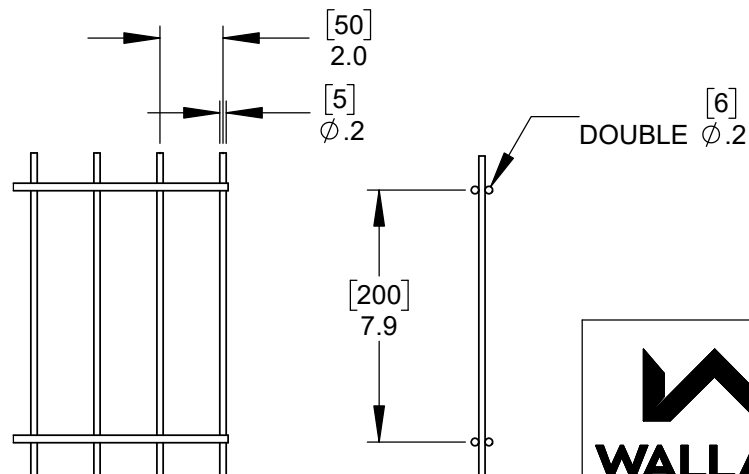


| HEIGHT | BRACKET QTY. |
|----------|--------------|
| 4' [1.2] | 3 |
| 6' [1.8] | 4 |
| 8' [2.4] | 5 |

DETAIL E - OPTIONAL FLANGE POST

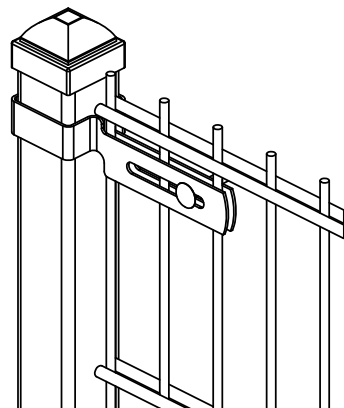


RAMPART 284



OPTIONAL INSTALLATION METHOD:
POSTS SET IN CONCRETE

DETAIL C - END POST CONNECTION



DIMENSIONS ARE INCHES, DIMENSIONS SHOWN IN [] ARE IN MILLIMETERS



115 Lowson Crescent
Winnipeg, Manitoba, Canada, R3P 1A6
Phone: 1-866-300-1110
Fax: 1-204-284-1868
Web: www.wallaceperimetersecurity.com

| | | |
|---|--|--------------------|
| Description: | | |
| RAMPART 284 WELDED WIRE FENCE 2.0 [51] x 2.0 [51] SQUARE POSTS | | |
| Customer / Project Name: | | |
| Finish: | STANDARD: GALVANIZED OPTIONAL: POWDER COAT, BLACK | Date: 7/26/2022 |
| Drawing No. | RAMPART 284S2 | Rev. A |
| | | Sheet: 1 of 1 |