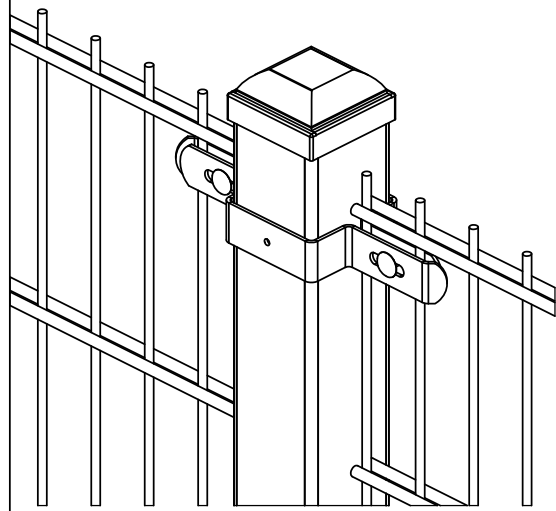
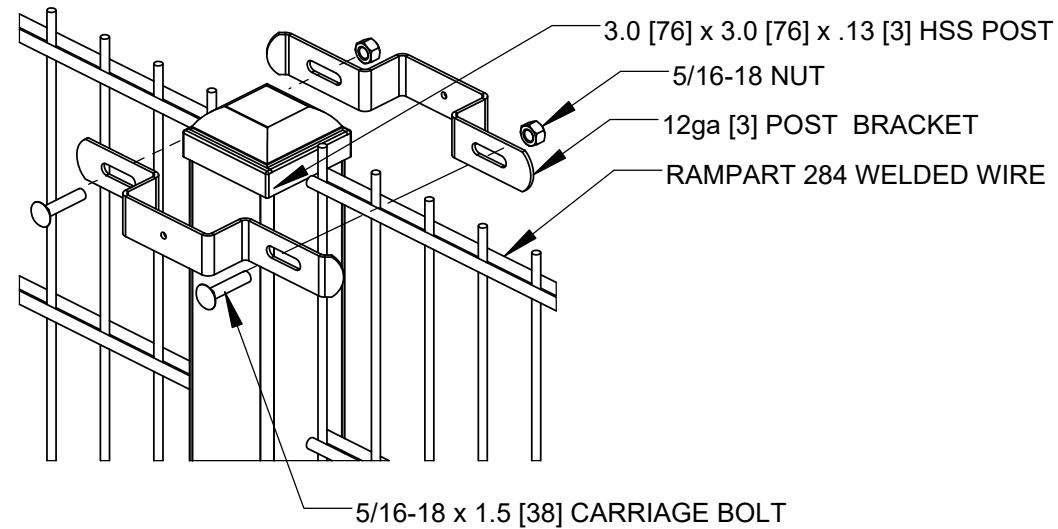


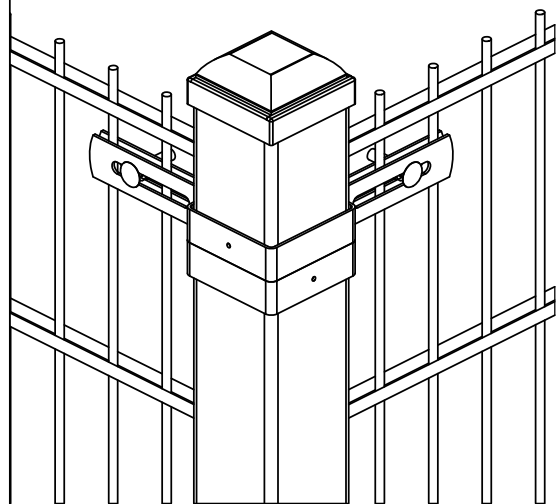
DETAIL A - LINE POST CONNECTION



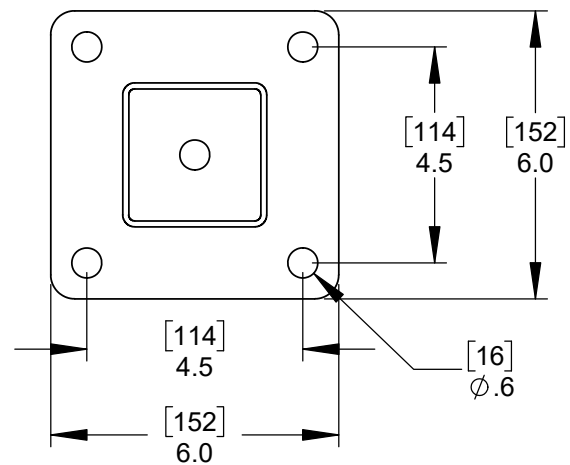
DETAIL D - PANEL CONNECTION DETAIL



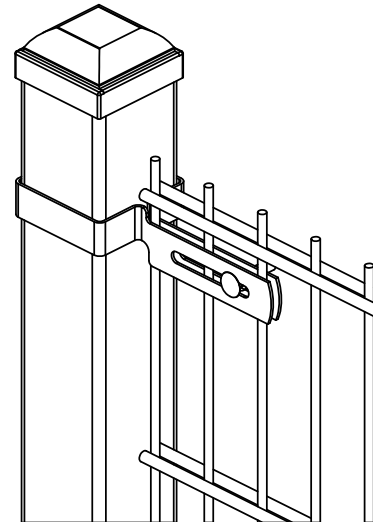
DETAIL B - CORNER POST CONNECTION



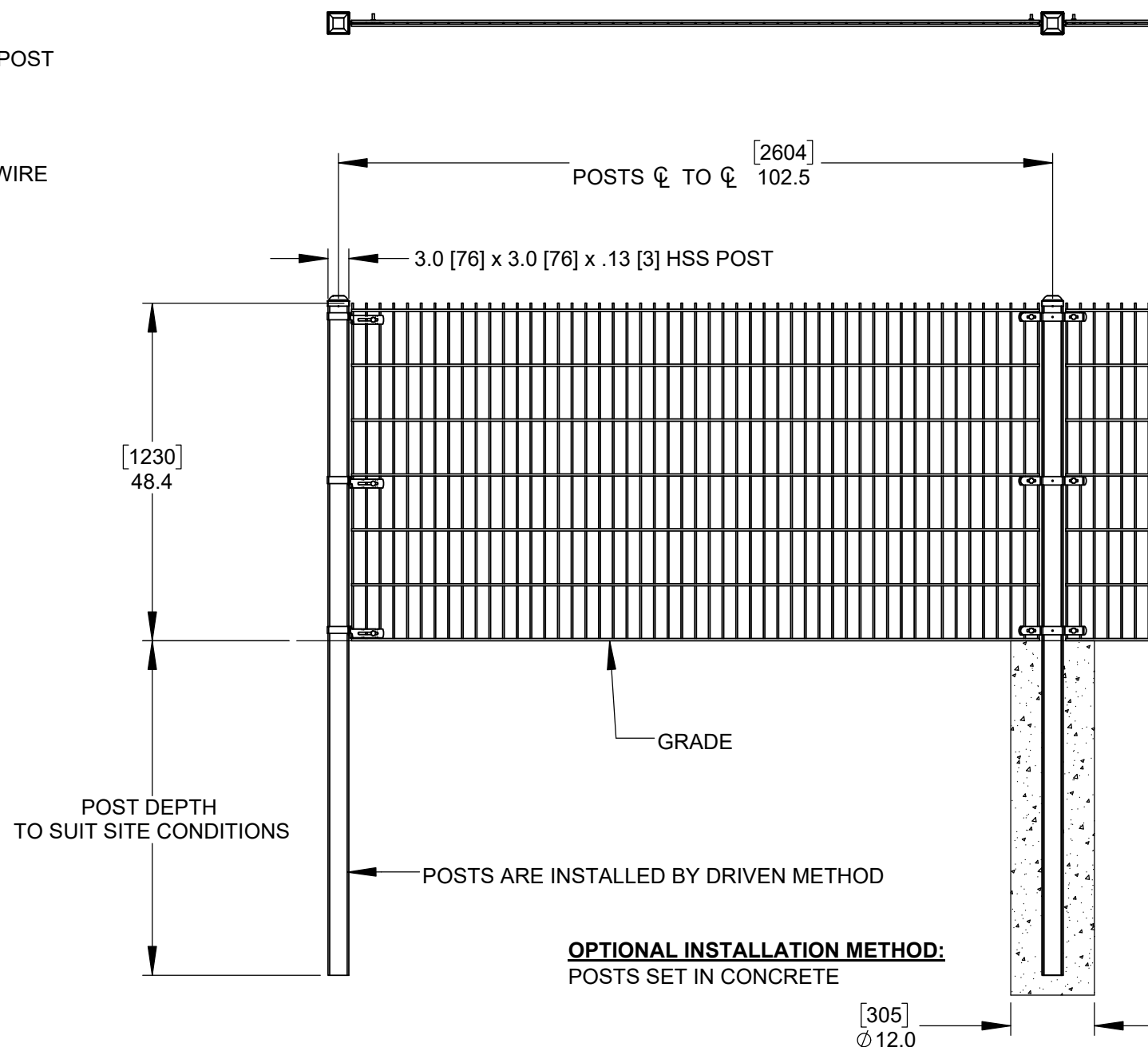
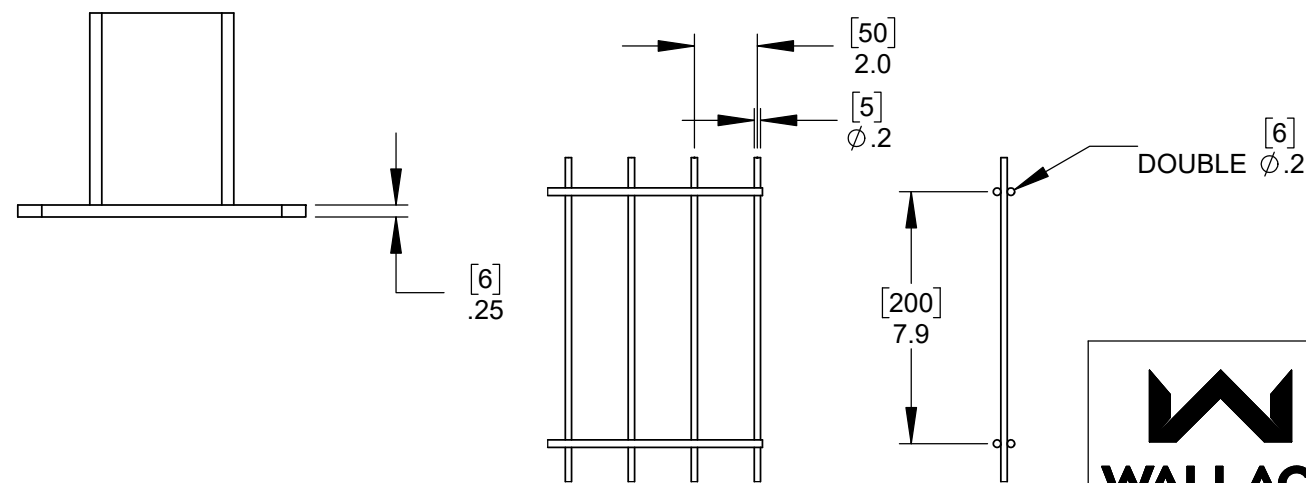
DETAIL E - OPTIONAL FLANGE POST



DETAIL C - END POST CONNECTION



RAMPART 284



OPTIONAL INSTALLATION METHOD:
POSTS SET IN CONCRETE

DIMENSIONS ARE INCHES, DIMENSIONS SHOWN IN [] ARE IN MILLIMETERS

WALLACE PERIMETER SECURITY
 115 Lawson Crescent
 Winnipeg, Manitoba, Canada, R3P 1A6
 Phone: 1-866-300-1110
 Fax: 1-204-284-1868
 Web: www.wallaceperimetersecurity.com

Description:		
RAMPART 284 WELDED WIRE FENCE 3.0 [76] x 3.0 [76] SQUARE POSTS		
Customer / Project Name:		
Finish:	STANDARD: GALVANIZED OPTIONAL: POWDER COAT, BLACK	Date: 4/27/2022
Drawing No.	RAMPART 284S3	Rev. B Sheet: 1 of 1