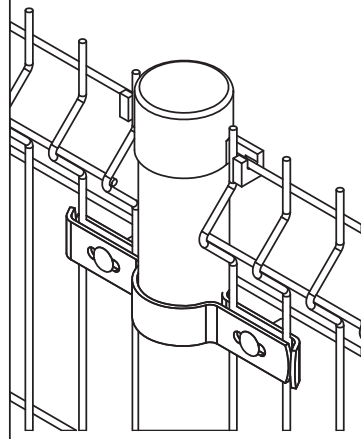
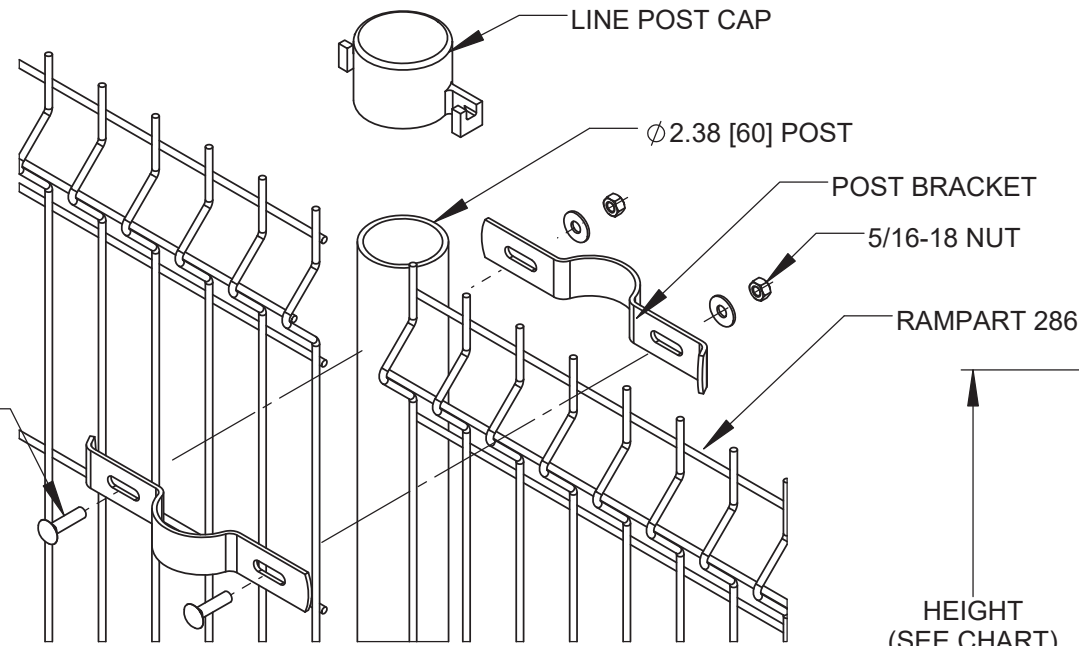


DETAIL A - LINE POST CONNECTION



5/16-18 x 1.5 [38]
CARRIAGE BOLT

DETAIL D - PANEL CONNECTION DETAIL (LINE POST SHOWN)



LINE POST CAP

Ø2.38 [60] POST

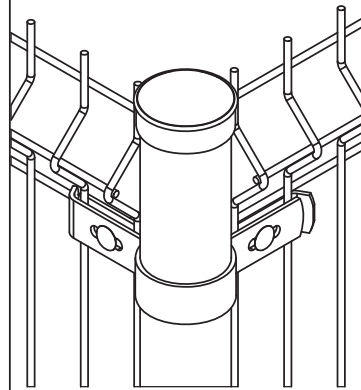
POST BRACKET

5/16-18 NUT

RAMPART 286

DIMENSIONS ARE IN INCHES, DIMENSIONS SHOWN IN [] ARE IN MILLIMETERS

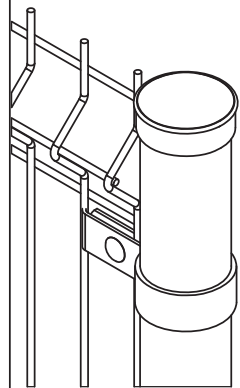
DETAIL B - CORNER POST CONNECTION



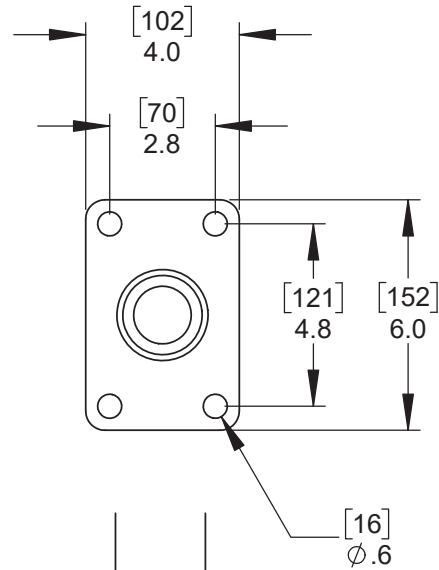
HEIGHT	BRACKET QTY.
4' [1.2]	3
6' [1.8]	4
8' [2.4]	5

HEIGHT
(SEE CHART)

DETAIL C - END POST CONNECTION



DETAIL E - OPTIONAL FLANGE POST



[102]
4.0

[70]
2.8

[121]
4.8

[152]
6.0

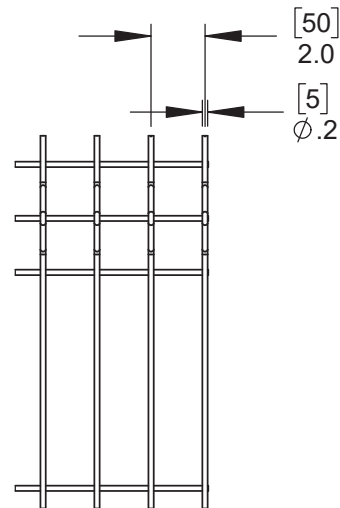
[16]
Ø.6

36.0
POST DEPTH
TO SUIT SITE CONDITIONS

POSTS ARE INSTALLED BY
DRIVEN METHOD

OPTIONAL INSTALLATION METHOD
POSTS SET IN CONCRETE

RAMPART 286



[50]
2.0

[5]
Ø.2

[28]
1.1

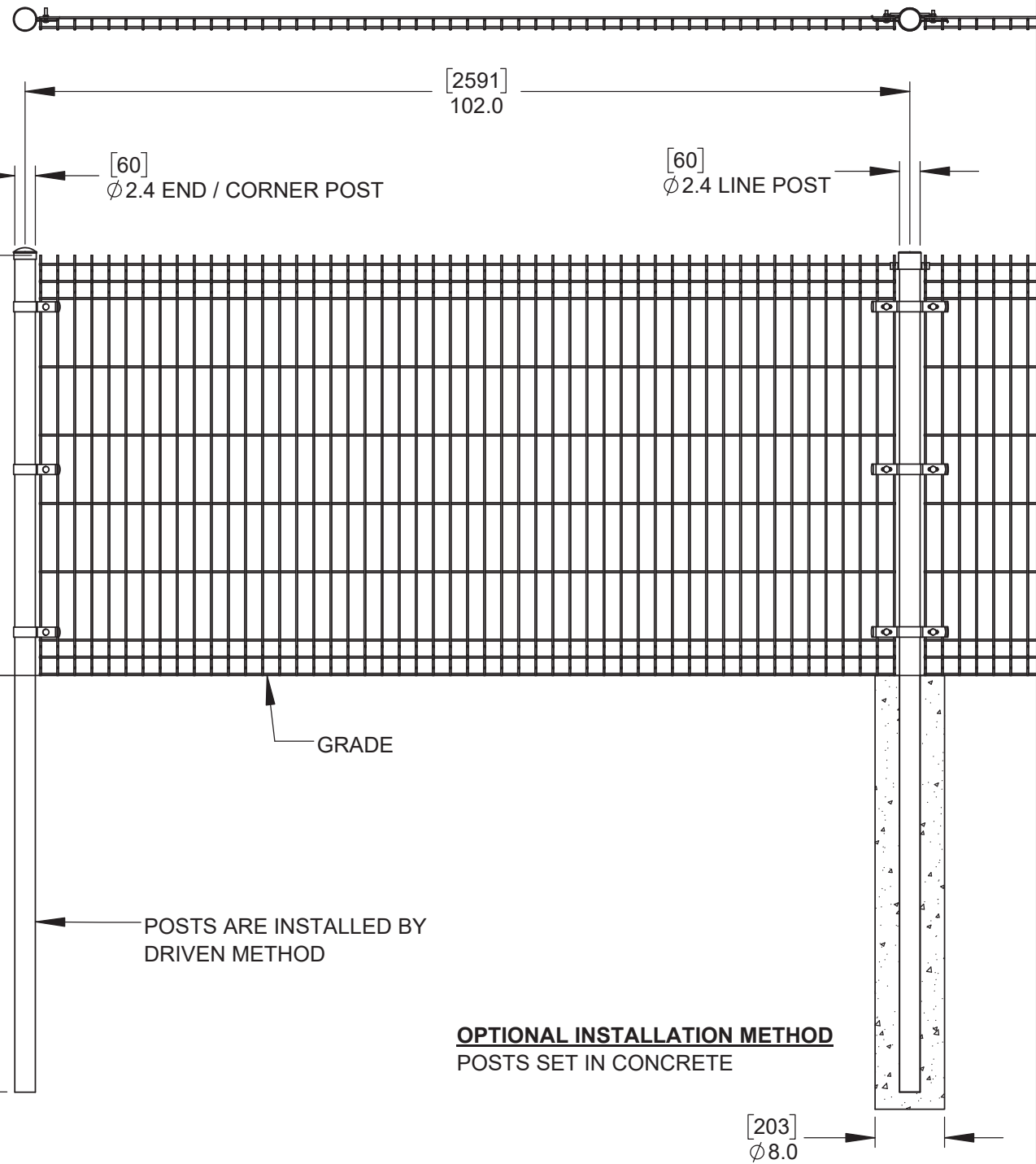
[100]
3.9

[200]
7.9

[5]
Ø.2



115 Lawson Crescent
Winnipeg, Manitoba, Canada, R3P 1A6
Phone: 1-866-300-1110
Fax: 1-204-284-1868
Web: www.wallaceperimetersecurity.com



[2591]
102.0

[60]
Ø2.4 END / CORNER POST

[60]
Ø2.4 LINE POST

GRADE

[203]
Ø8.0

[6]
.25

Description: RAMPART 286 WELDED WIRE FENCE Ø2.375 [60] POSTS		
Customer / Project Name:		
Finish: POWDER COAT BLACK	Date: 7/10/2024	
Drawing No. RAMPART 286	Rev. B	Sheet: 1 of 1