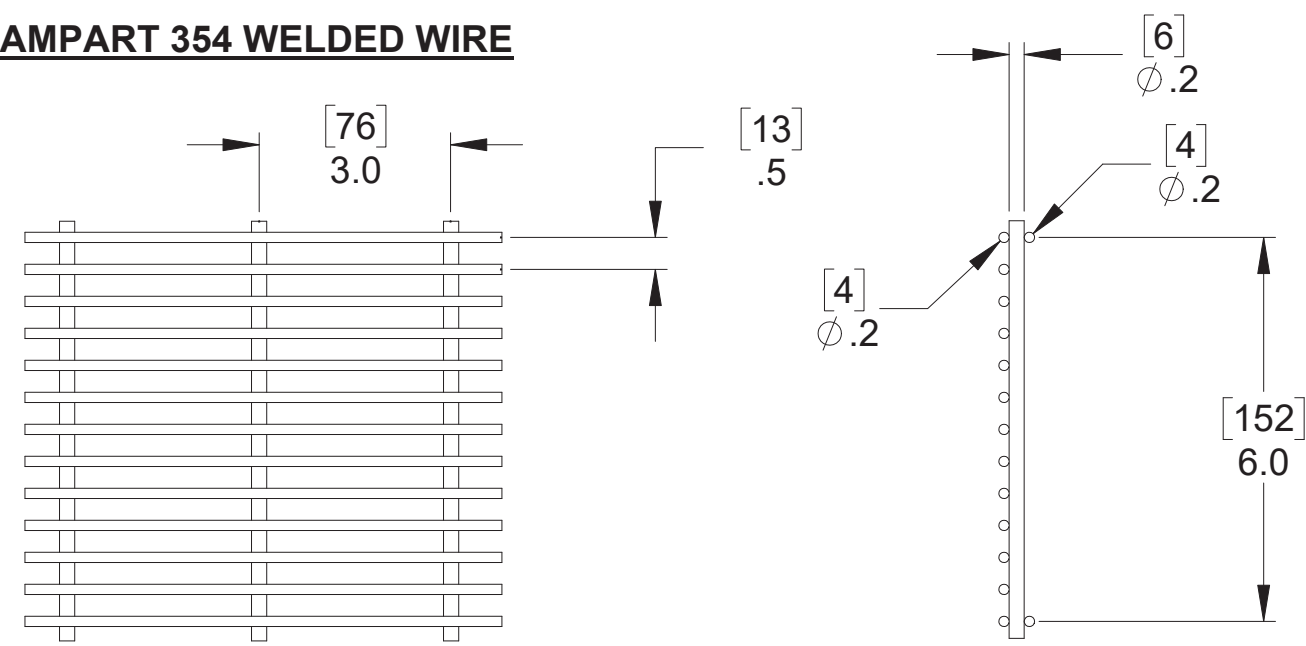
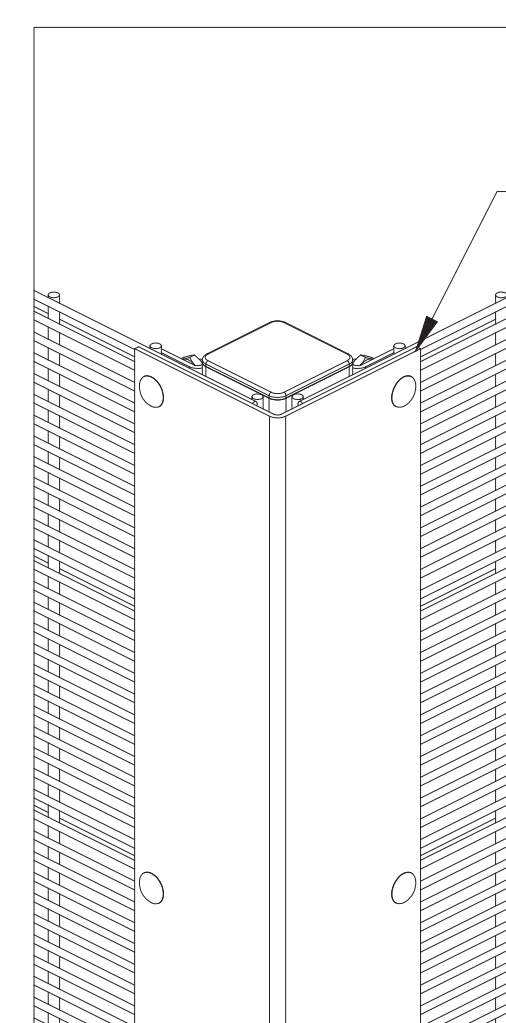
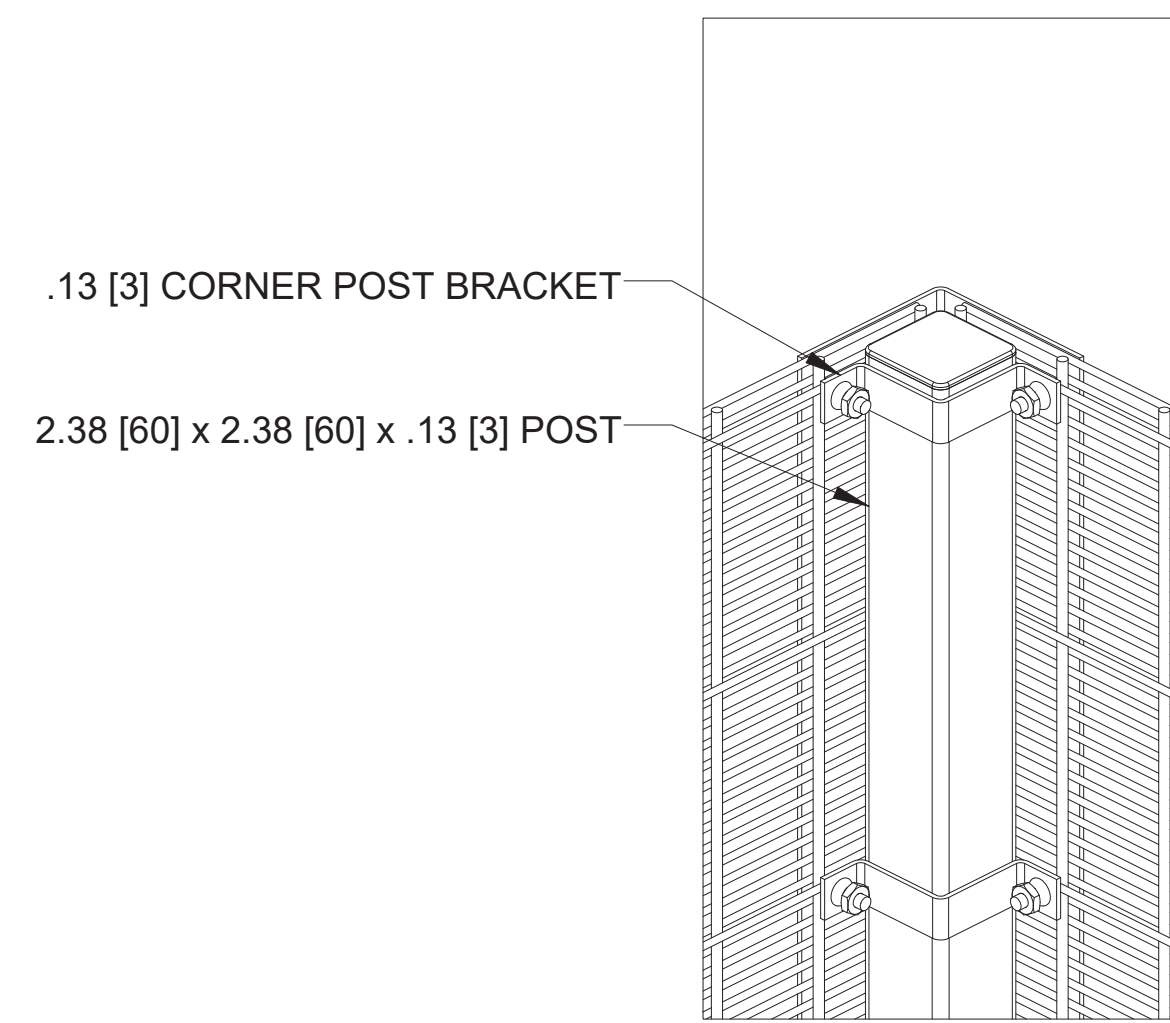


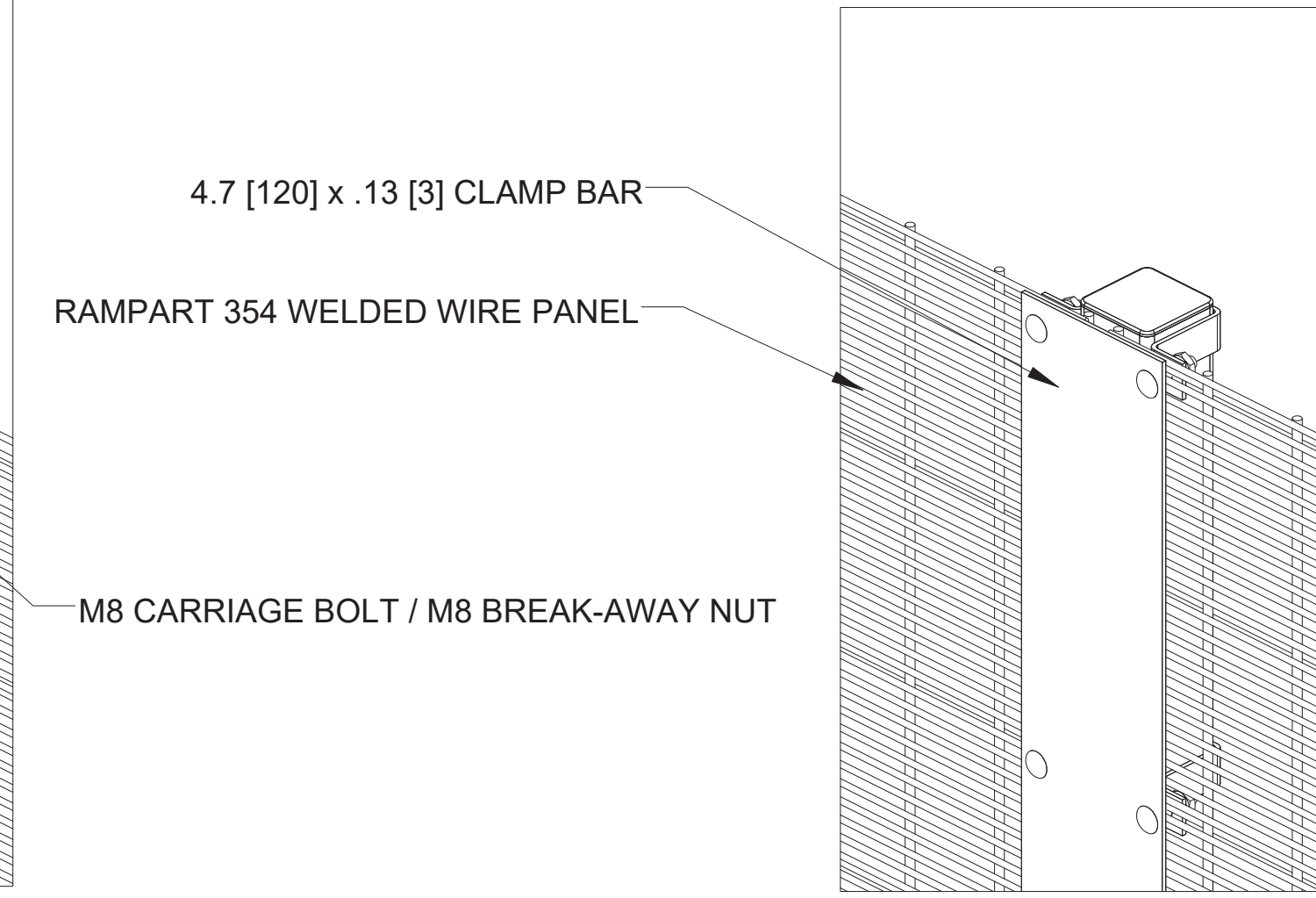
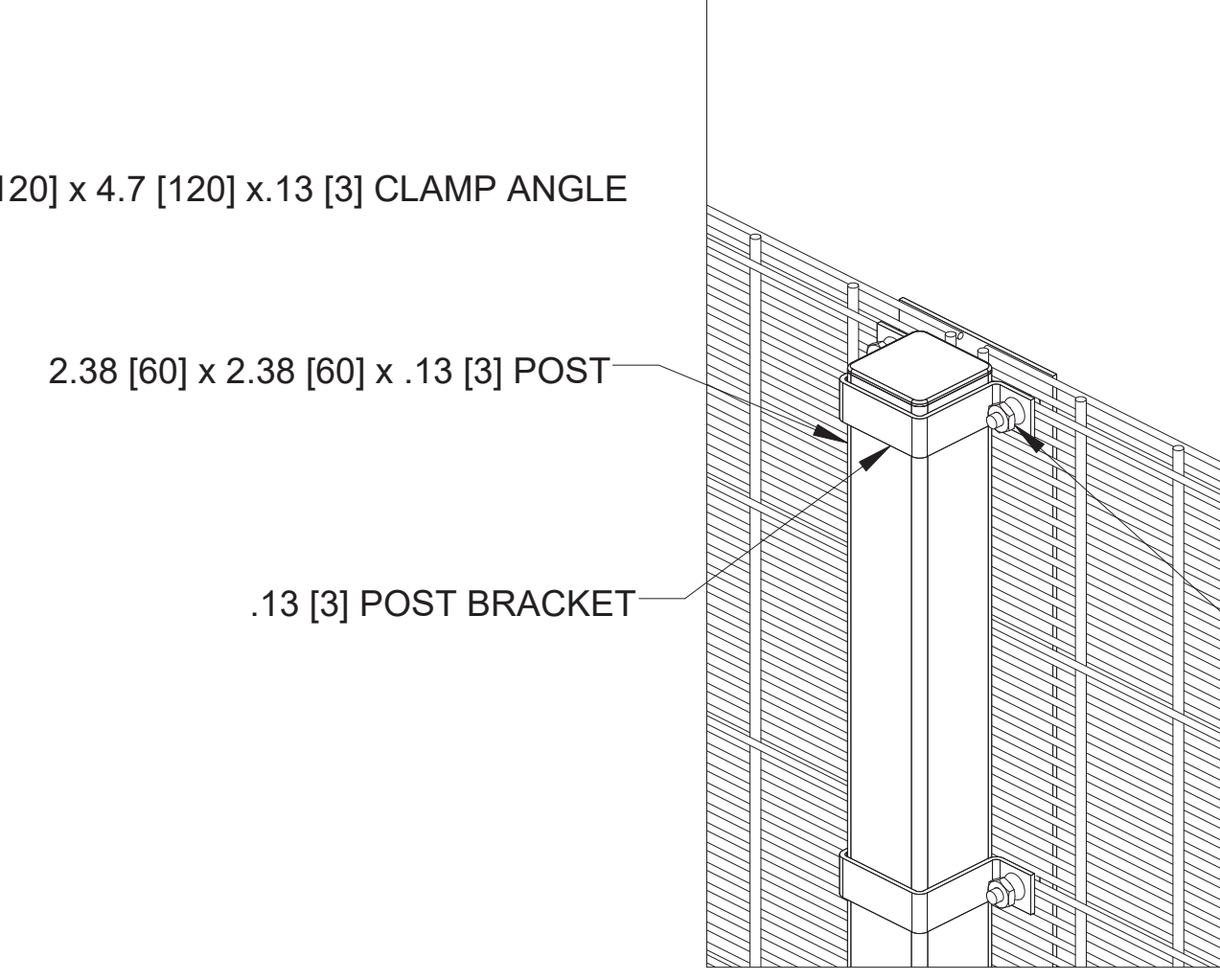
RAMPART 354 WELDED WIRE



TYPICAL CORNER POST INSTALLATION DETAIL

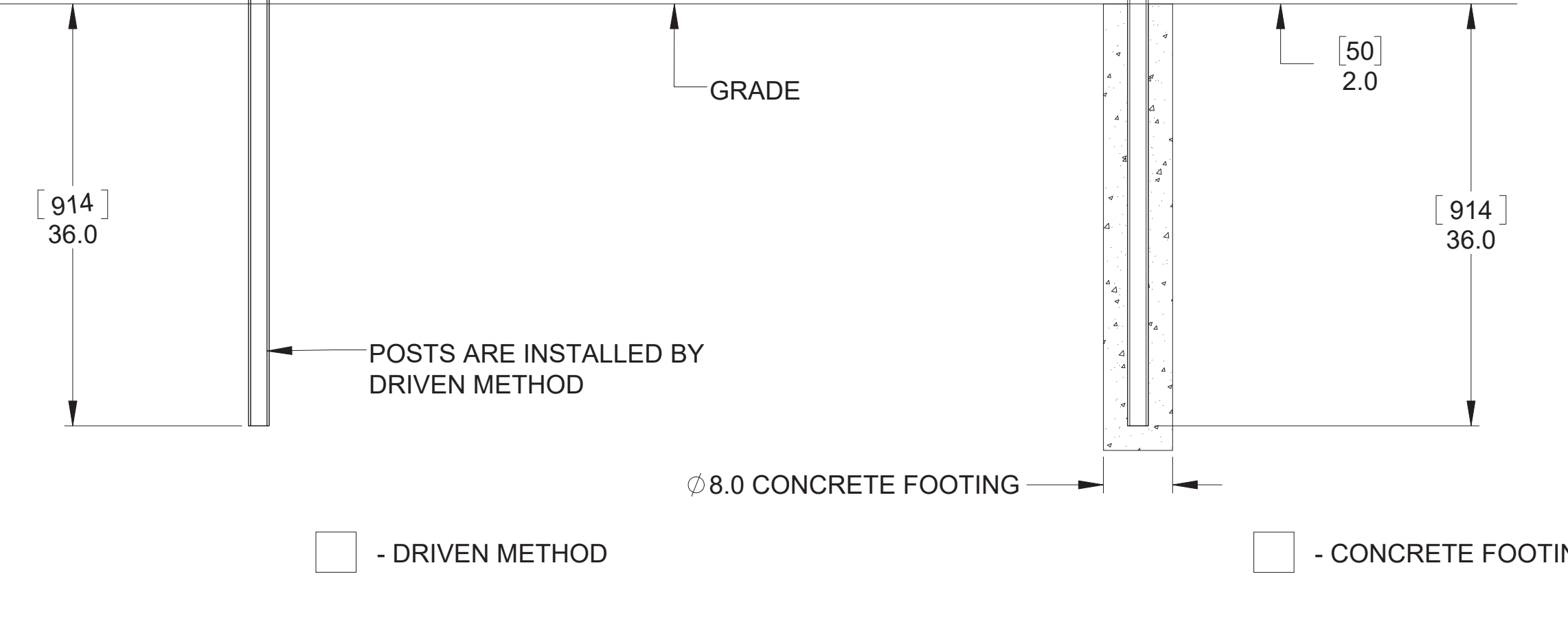
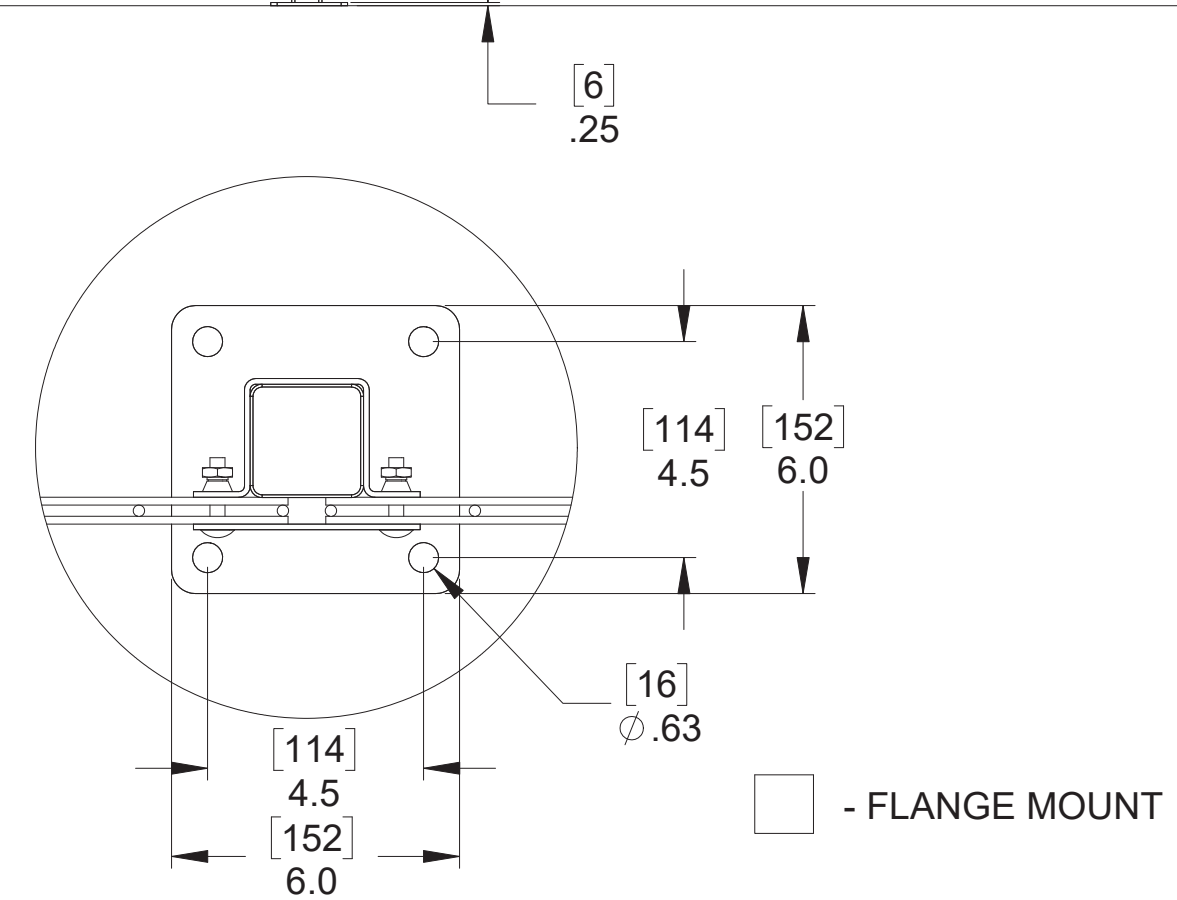
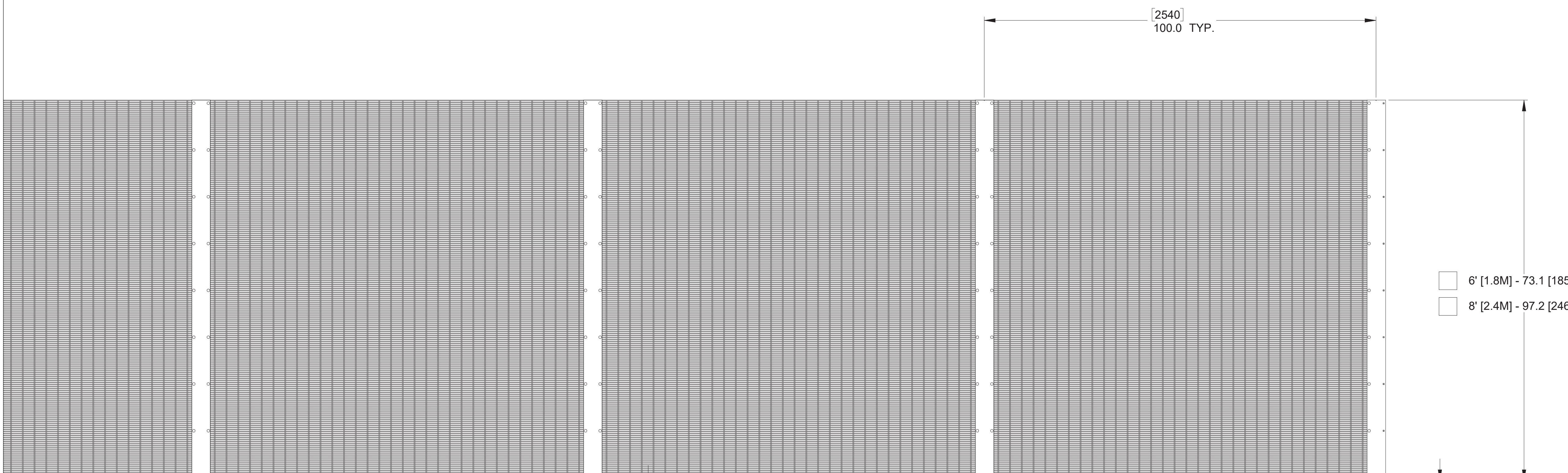
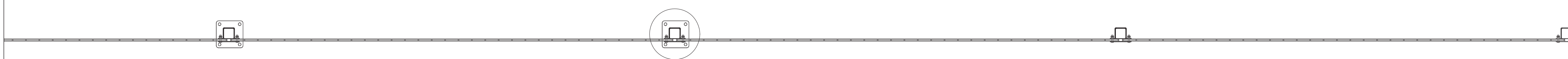


TYPICAL LINE POST / END POST INSTALLATION DETAIL



MOUNTING BRACKET QUANTITY

SIZE	SIZE
6' [1.8]	7
8' [2.4]	9



NOTE:
DRAWING IS IN INCHES DIMENSIONS SHOWN IN [] ARE IN MILLIMETERS UNLESS OTHERWISE NOTED.

		115 Lowson Crescent Winnipeg, Manitoba, Canada, R3P 1A6 Phone: 1-888-333-1110 Fax: 1-204-284-1998 Web: www.wallaceperimetersecurity.com	
Description: DEFENDER WELDED WIRE FENCE 6' [1.8M] & 8' [2.4M]		Customer / Project Name:	
Finish: POWDER COAT, BLACK	Date: 4/27/2022	Drawing No. DEFENDER-04-08-20	Rev. Sheet: A 1 of 1