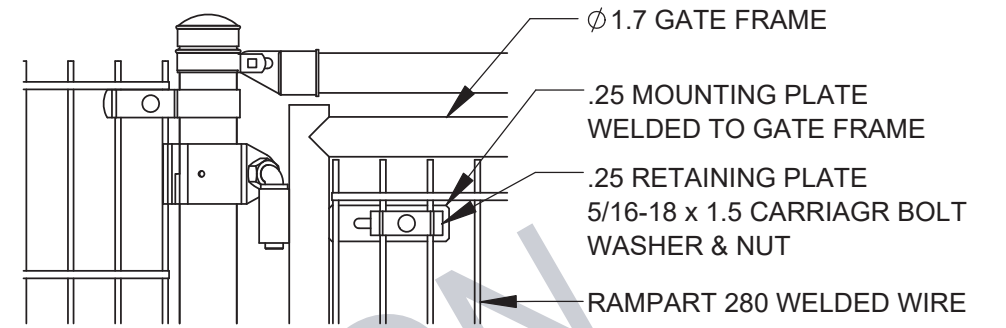
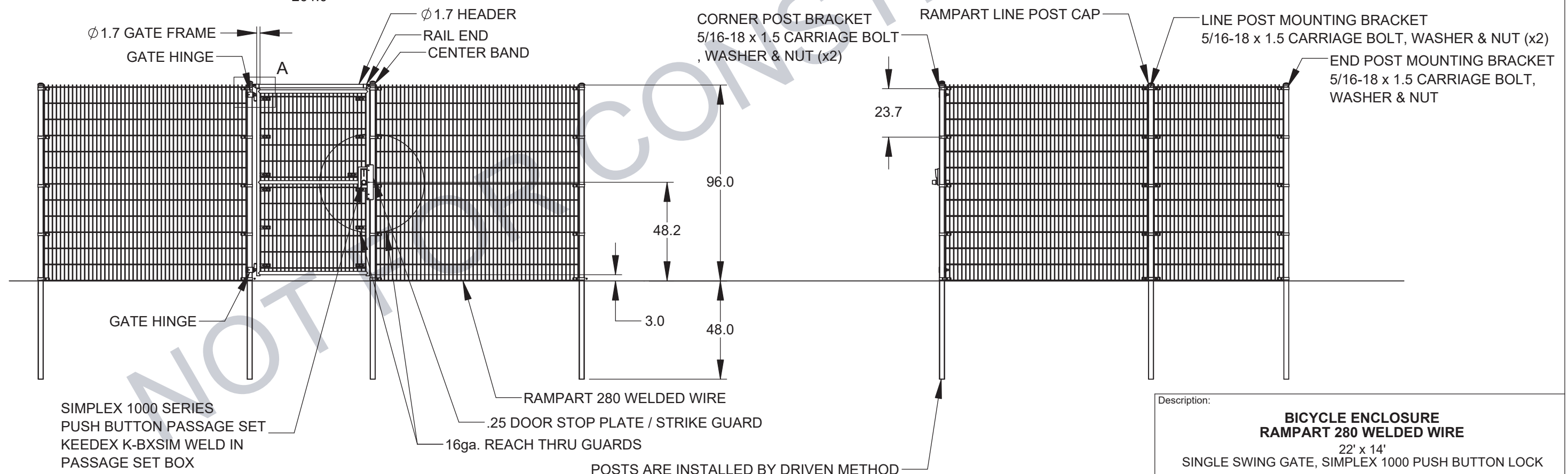
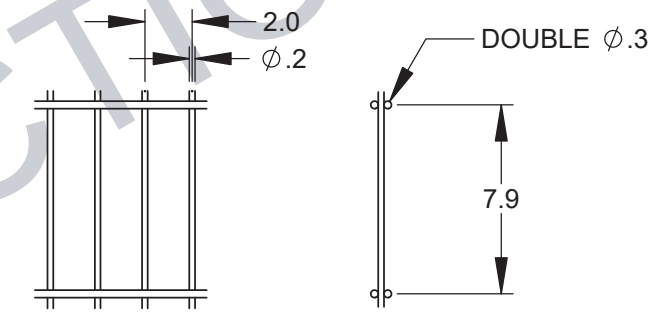


DETAIL A - RAMPART MOUNTING DETAIL, DOOR FRAME



DETAIL B - RAMPART 280 WELDED WIRE



POSTS ARE INSTALLED BY DRIVEN METHOD

Description:
BICYCLE ENCLOSURE
RAMPART 280 WELDED WIRE
 22' x 14'
 SINGLE SWING GATE, SIMPLEX 1000 PUSH BUTTON LOCK

Customer / Project Name:

115 Lawson Crescent
 Winnipeg, Manitoba, Canada, R3P 1A6
 Phone: 1-866-300-1110
 Fax: 1-204-284-1868
 Web: www.wallaceperimetersecurity.com

Finish: POWDER COAT, RAL 9005, BLACK Date: 9/17/2024

Drawing No. **BIKE ENCLOSURE 280** Rev. Sheet: 1 of 1