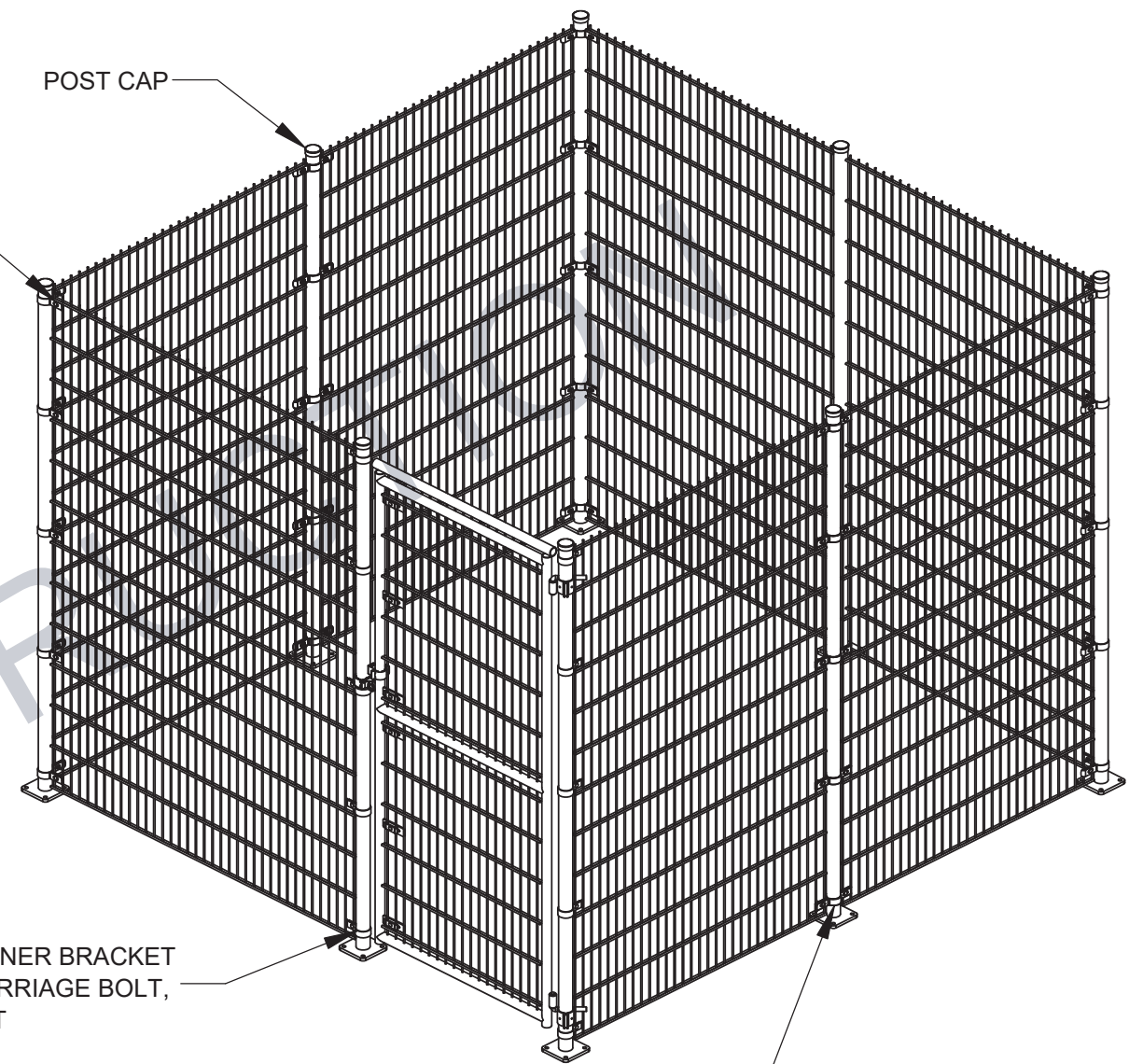
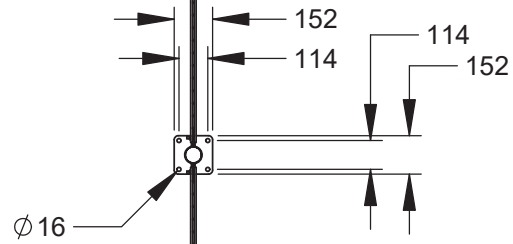


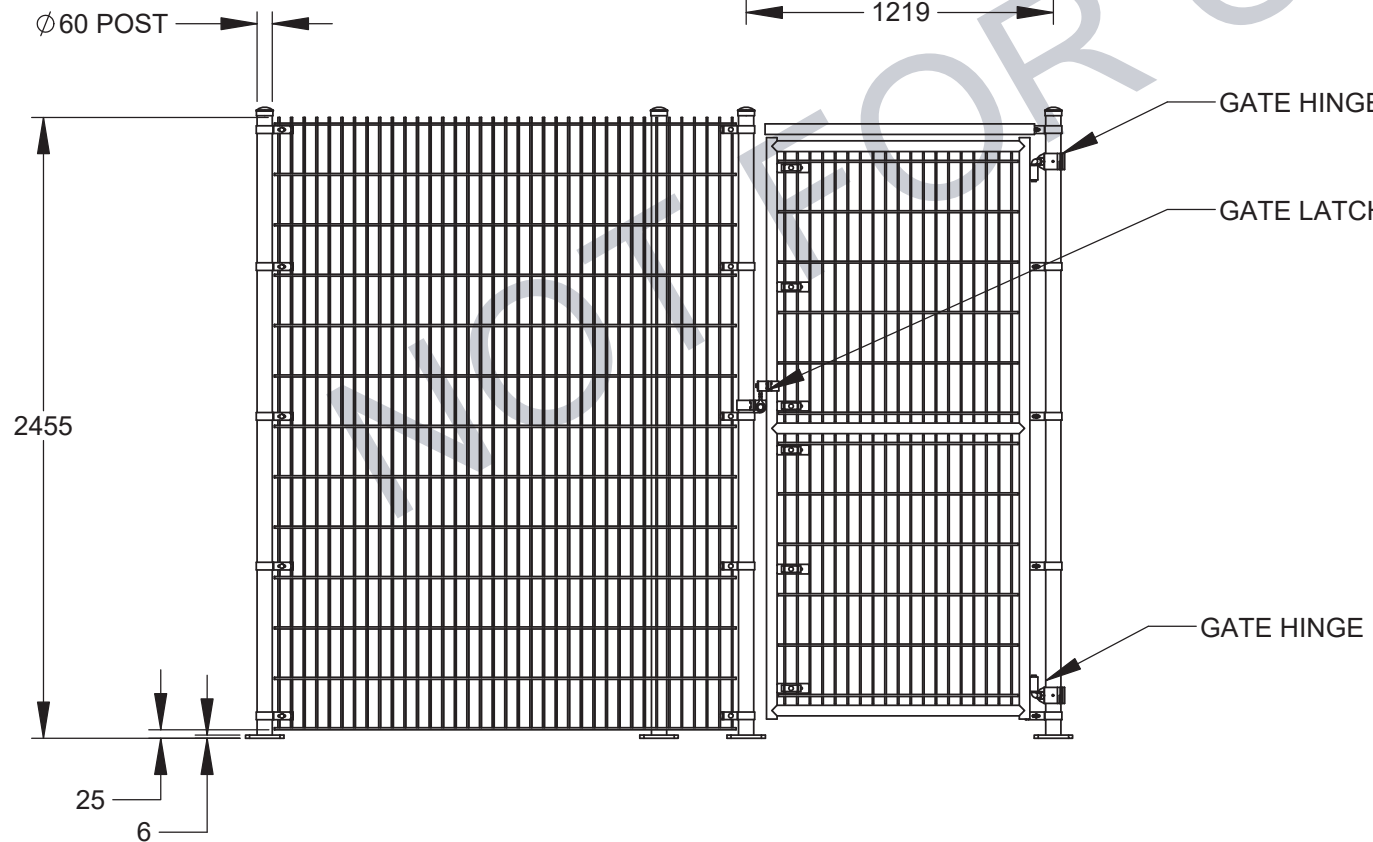
RAMPART CORNER BRACKET
5/16-18 x 38 CARRIAGE BOLT,
WASHER & NUT



POST CAP

RAMPART CORNER BRACKET
5/16-18 x 38 CARRIAGE BOLT,
WASHER & NUT

RAMPART LINE BRACKET
5/16-18 x 38 CARRIAGE BOLT,
WASHER & NUT

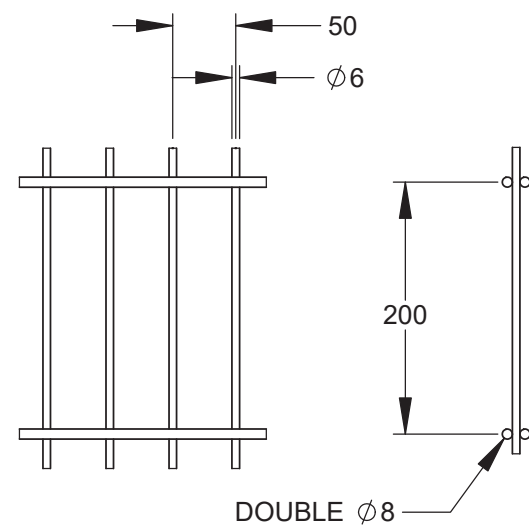


GATE HINGE

GATE LATCH

GATE HINGE

RAMPART 280



WALLACE
PERIMETER SECURITY

115 Lawson Crescent
Winnipeg, Manitoba, Canada, R3P 1A6
Phone: 1-866-300-1110
Fax: 1-204-284-1868
Web: www.wallaceperimetersecurity.com

Description:		ENCLOSURE RAMPART 280 WELDED WIRE 3.1M x 3.2M FLANGE MOUNTED	
Customer / Project Name:		Date:	
Finish: GALVANIZED		11/18/2022	
Drawing No. BIKE ENCLOSURE 280 FL	Rev.	Sheet: 1 of 1	