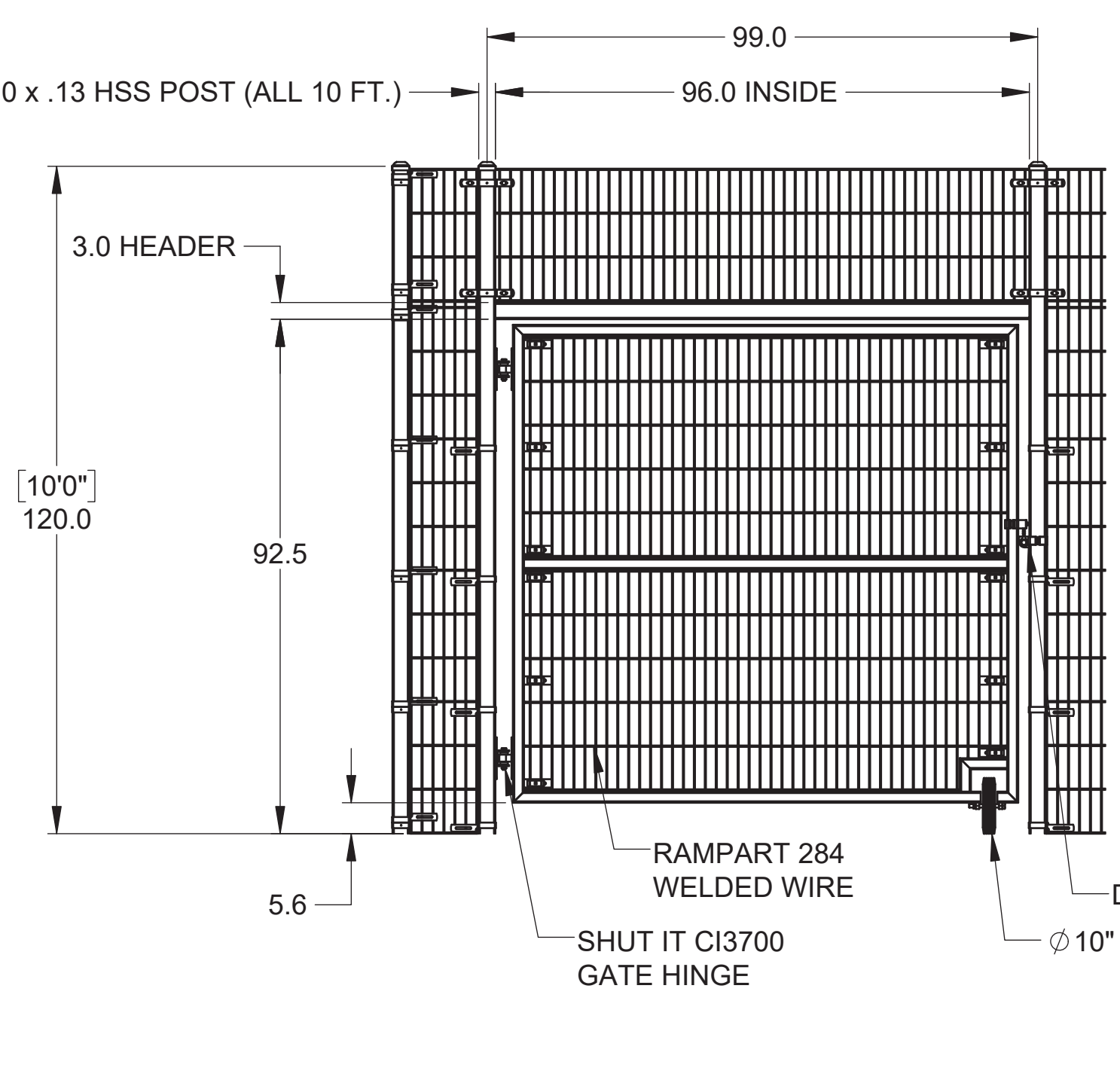
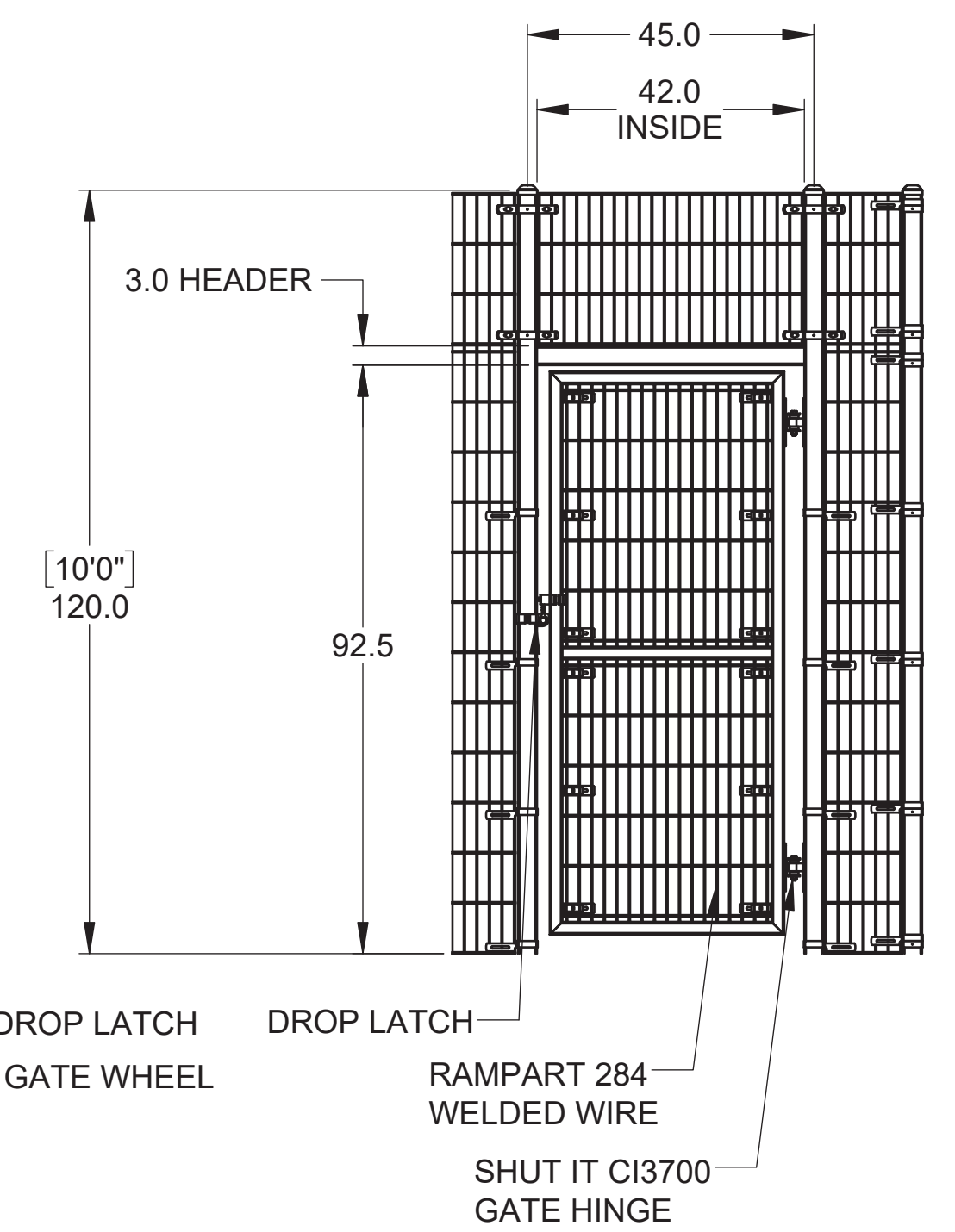


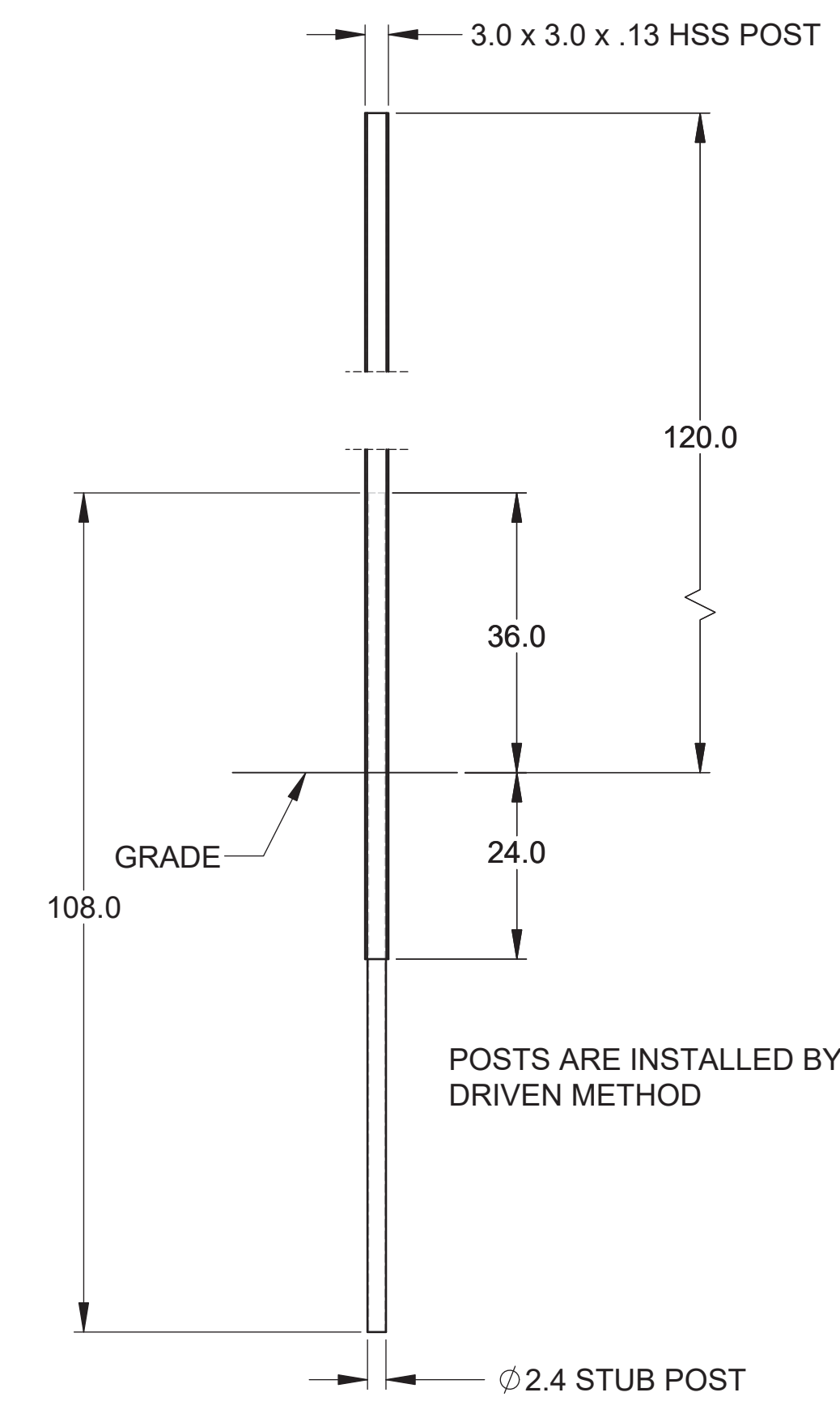
DETAIL A - 8' SINGLE SWING GATE



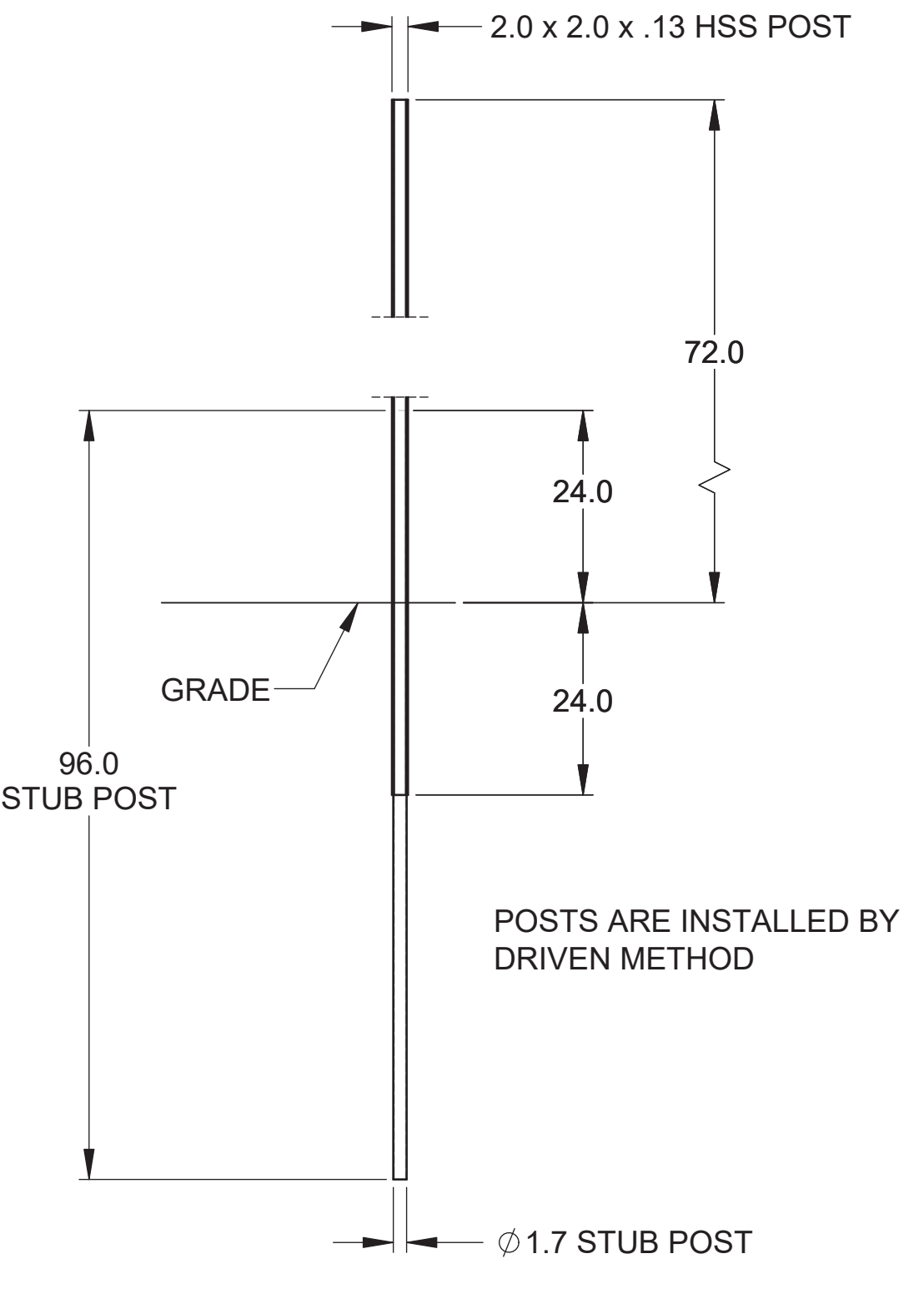
DETAIL B - 3'-6\"/>



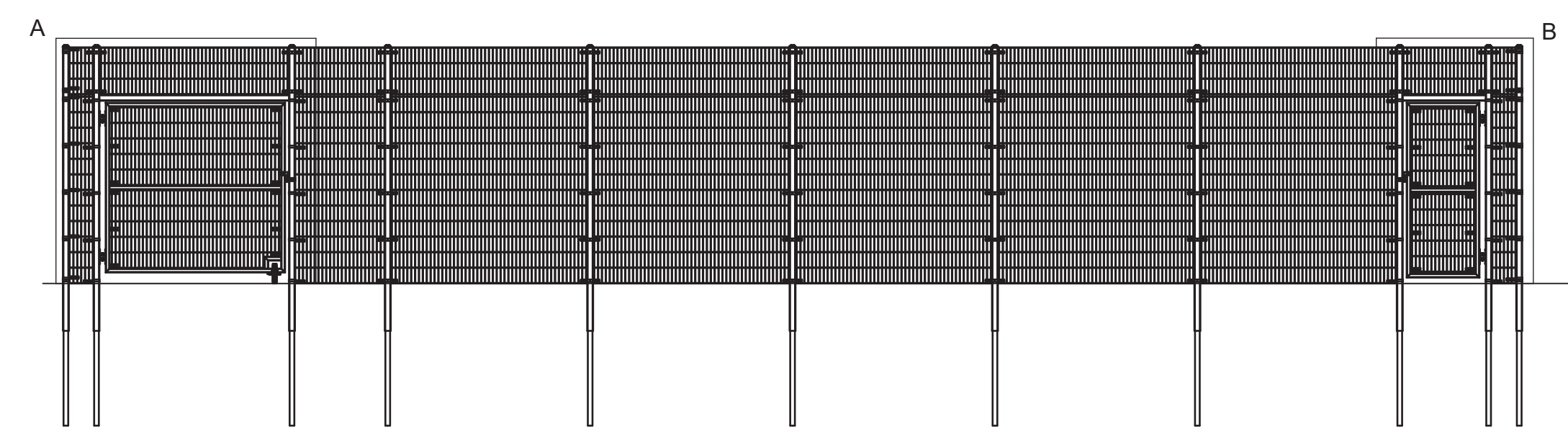
DETAIL C - 10' POST DETAIL



DETAIL D - 6' POST DETAIL



- Ø 1.7 DRIVEN STUB POST (6 FT)
- 2.0 x 2.0 x .13 HSS POST (6 FT)
- SEE DETAIL D
- Ø 2.4 DRIVEN STUB POST (10 FT)
- 3.0 x 3.0 x .13 HSS POST (10 FT)
- SEE DETAIL C



Description: BASKET BALL COURT LAYOUT 10' / 6' RAMPART 284 WELDED WIRE	
Customer / Project Name:	Date: 6/27/2024
Finish: POWDER COAT, RAL 9005, BLACK	Rev:
Drawing No. BASKET BALL COURT	Sheet: 1 of 1